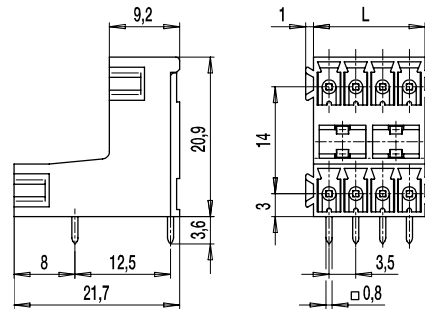
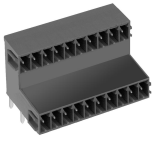


110-S-211

Pin strip

Staggered two-tier version, plug-in direction parallel to PCB, with false insertion prevention



GENERAL INFORMATION

Pitch	3,5 mm
No. of poles	4 - 48
Usable with	all plug connectors of series 110
Additional Information	For versions with connecting flanges see 110-S-215

TECHNICAL DATA

Overvoltage Category	III	III	II
Pollution Severity Level	3	2	2
Rated Voltage	160 V	160 V	320 V
Rated Impulse Voltage	2,5 kV	2,5 kV	2,5 kV
Rated Insulation Voltage	130 V acc. to EN 60998-1		
Rated Current	8 A		
Hole in PCB	ø 1,3 mm		

APPROVALS

	Current [A]	Voltage [V]	Group	AWG	[Nm]
	8	300	B, D		
	8	300	B		

MATERIAL

Moulding	PA, grey, V-0
Comparative Tracking Index	CTI ≥ 600
Insulating Group	I
Temperature Range	-40°C up to 100°C
Solder pin	0,8 x 0,8 mm; tin plated brass

OPTIONS / ACCESSORIES

- Consecutive numbering
- Special marking according to drawing
- Self-adhesive marking strip BST-3,50
- Pitch of 7 mm for larger clearance and creepage distances
- Coding elements 120-K

CONFIGURATIONS

Poles	Part number	Article number	Length (L)	Packaging	PU
4	110-S-211/04	10.841.402	7,60 mm	Box	100
6	110-S-211/06	10.841.403	11,10 mm	Box	100

