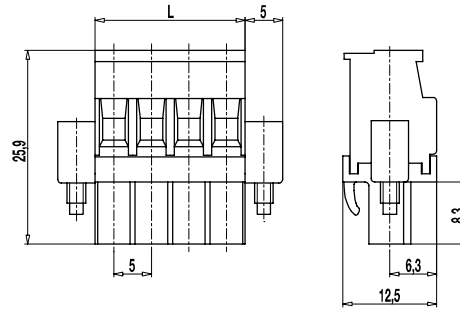


# 120-D-115

Plug connector  
Screw connection, backside latching hooks, with connecting flanges



## GENERAL INFORMATION

Pitch	5 mm
No. of poles	2 - 22
Usable with	all pin strips of series 120

## TECHNICAL DATA

Clamping Range	solid / stranded / AWG		
	0,2 - 4 mm <sup>2</sup> / 0,2 - 2,5 mm <sup>2</sup> / 26 - 12 AWG		
Wire Stripping Length	7 mm ± 0,5 mm		
Overvoltage Category	III	III	II
Pollution Severity Level	3	2	2
Rated Voltage	250 V	320 V	630 V
Rated Impulse Voltage	4 kV	4 kV	4 kV
Rated Insulation Voltage	250 V acc. to EN 60998-1		
Rated Current	12 A		
Torque	0,5 Nm		

## APPROVALS

	Current [A]	Voltage [V]	Group	AWG	[Nm]
	15	300	B	26 - 12	0,51
	10	300	D	26 - 12	0,51
	15	300	B	26 - 12	0,51
	10	300	D, E	26 - 12	0,51

## MATERIAL

Moulding	PA, grey, V-0
Comparative Tracking Index	CTI ≥ 600
Insulating Group	I
Temperature Range	-40°C up to 100°C
Terminal body	Nickel plated brass
Pressure clamp	Tin plated tin bronze
Screw	M3; zinc plated steel, blue passivated
Spring	Tin plated tin bronze

## OPTIONS / ACCESSORIES

- Consecutive numbering
- Special marking according to drawing
- Self-adhesive marking strip BST-5,00
- Pitch of 10 mm for larger clearance and creepage distances
- Coding elements 120-K
- Connectors equipped with coding elements on request
- Strain relief

## CONFIGURATIONS

Poles	Part number	Article number	Length (L)	Packaging	PU
2	120-D-115/02	15.808.402	10,00 mm	Box	100
3	120-D-115/03	15.808.403	15,00 mm	Box	100
4	120-D-115/04	15.808.404	20,00 mm	Box	100
5	120-D-115/05	15.808.405	25,00 mm	Box	100
6	120-D-115/06	15.808.406	30,00 mm	Box	50

