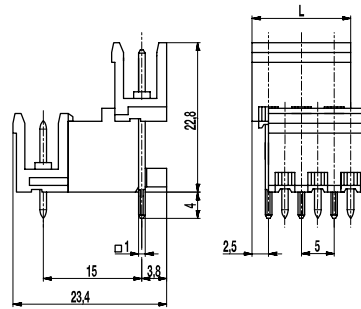
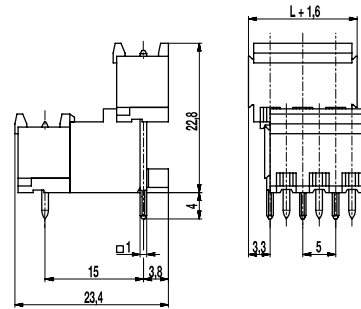


120-M-161/-261

Pin strip
 Plug-in direction vertical to PCB, two-tier version



120-M-161



120-M-261

GENERAL INFORMATION

Pitch	5 mm
No. of poles	4 - 24
Usable with	all plug connectors of series 120
Additional Information	Ordering information: ...M-161: without side walls, not pottable ...M-261: with side walls, pottable

TECHNICAL DATA

Overvoltage Category	III	III	II
Pollution Severity Level	3	2	2
Rated Voltage	250 V	320 V	630 V
Rated Impulse Voltage	4 kV	4 kV	4 kV
Rated Insulation Voltage	250 V acc. to EN 60998-1		
Rated Current	12 A		
Hole in PCB	ø 1,4 mm		

APPROVALS

	Current [A]	Voltage [V]	Group	AWG	[Nm]
	15	300	B		
	10	300	D		
	15	300	B		
	10	300	D, E		

MATERIAL

Moulding	PA, grey, V-0
Comparative Tracking Index	CTI ≥ 600
Insulating Group	I
Temperature Range	-40°C up to 100°C
Solder pin	1,0 x 1,0 mm; tin plated brass

OPTIONS / ACCESSORIES

- Consecutive numbering
- Special marking according to drawing
- Self-adhesive marking strip BST-5,00
- Pitch of 10 mm for larger clearance and creepage distances
- Coding elements 120-K
- Connectors equipped with coding elements on request
- Two-tier version with front pin strip offset to the left
- Special arrangements of front- and rear row of the floor version.

CONFIGURATIONS

Poles	Part number	Article number	Part number	Article number	Length (L)	Packaging	PU
4	120-M-161/04	30.806.052	120-M-261/04	30.806.076	10,00 mm	Box	100
6	120-M-161/06	30.806.053	120-M-261/06	30.806.077	15,00 mm	Box	100

further number of poles on request

