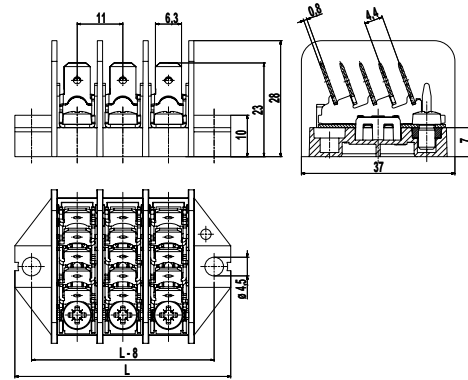
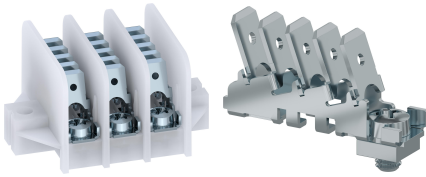


# 308-PA../-401, 308-PAG../-401

Distribution block

Tab connections 5 x 6.3 & Screw connection; slanted



## GENERAL INFORMATION

Pitch	11 mm
No. of poles	1 - 16

## TECHNICAL DATA

Clamping Range	<i>solid / stranded / AWG</i> 0,5 - 2,5 mm <sup>2</sup> / 0,5 - 2,5 mm <sup>2</sup> / 20 - 14 AWG [1][2]
Rated Cross Section	1,5 mm <sup>2</sup> [3]
Wire Stripping Length	10 mm ± 0,5 mm
Rated Insulation Voltage	450 V acc. to EN 60998-1
Rated Current	acc. to DIN EN 61210: 12 A with receptable 6,3; wire 1,5 mm <sup>2</sup> 15 A with receptable 6,3; wire 2,5 mm <sup>2</sup> 18 A with receptable 6,3; wire 4 mm <sup>2</sup> 20 A with receptable 6,3; wire 6 mm <sup>2</sup>  17,5 A with screw connection; wire 1,5 mm <sup>2</sup>
Torque	1,7 Nm
Other specifications	Screw terminals are generally suitable for wires with identical wire type / cross-section.

## APPROVALS

	Current [A]	Voltage [V]	Group	AWG	[Nm]
	15	300	B	16 - 14 [4]	1,7
	10	300	D	16 - 14 [4]	1,7
	Current [A]	Voltage [V]	mm <sup>2</sup>		
	17,5	450	1,5		

## MATERIAL

Moulding	PA, natural, V-2 (PAG-Version: PA glass fiber reinforced, natural, V-0) Details in round brackets apply for "no flame" products
Comparative Tracking Index	CTI 250 (CTI 400)
Insulating Group	IIIa (II)
Temperature Range	RTI Str 90°C (130°C PAG-Version)
Tab	Zinc plated steel
Screw	M4; Zinc plated steel, blue passivated
Square washer	M4; Zinc plated steel

## OPTIONS / ACCESSORIES

- Consecutive numbering
- Special marking according to drawing
- Fixed marking in the tool on request
- Jumper VB-308

[1] Per pole two wires of identical cross-section can be connected. This is valid up to 1,5 mm<sup>2</sup> / 16 AWG.

[2] Ferrules are required when using flexible or multi-stranded wires

[3] Screw connection

[4] AWG specifications refer to screw connections

## CONFIGURATIONS

Poles	Item	Article number	Item	Article number	Length (L)	PU
1	308-PA/01-401	11.885.401	308-PAG/01-401	11.888.401	30 mm	250
2	308-PA/02-401	12.885.401	308-PAG/02-401	12.888.401	41 mm	200
3	308-PA/03-401	13.885.401	308-PAG/03-401	13.888.401	52 mm	200
4	308-PA/04-401	14.885.401	308-PAG/04-401	14.888.401	63 mm	100
5	308-PA/05-401	15.885.401	308-PAG/05-401	15.888.401	74 mm	100
6	308-PA/06-401	16.885.401	308-PAG/06-401	16.888.401	85 mm	100
7	308-PA/07-401	17.885.401	308-PAG/07-401	17.888.401	96 mm	100
8	308-PA/08-401	18.885.401	308-PAG/08-401	18.888.401	107 mm	50
10	308-PA/10-401	20.885.401	308-PAG/10-401	20.888.401	129 mm	50
12	308-PA/12-401	22.885.401	308-PAG/12-401	22.888.401	151 mm	50

further number of poles on request

