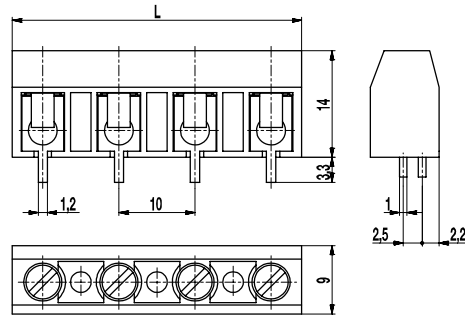
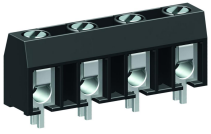


# 910-Y(-DS)

PCB connector

Screw connection, 2 solder pins per pole



## GENERAL INFORMATION

Pitch	10 mm
No. of poles	2 - 12

## TECHNICAL DATA

Clamping Range	<i>solid / stranded / AWG</i>		
<i>without wire protector</i>	2,5 - 10 mm <sup>2</sup> / 2,5 - 6 mm <sup>2</sup> / 14 - 10 AWG		
<i>with wire protector</i>	1,5 - 6 mm <sup>2</sup> / 1,5 - 4 mm <sup>2</sup> / 16 - 12 AWG		
Rated Cross Section	4 mm <sup>2</sup>		
Wire Stripping Length	6,5 mm ± 0,5 mm		
Overvoltage Category	III	III	II
Pollution Severity Level	3	2	2
Rated Voltage	500 V	630 V	1000 V
Rated Impulse Voltage	6 kV	6 kV	6 kV
Rated Current	25 A		
Hole in PCB	ø 1,8 mm		
Torque	0,8 Nm		

## APPROVALS

	Current [A]	Voltage [V]	Group	AWG	[Nm]
	25	300	B	18 - 10	0,79
	25	300	B	22-10 [1]	0,79
	10	300	D, E	22-10 [1]	0,79
	Current [A]	Voltage [V]	mm <sup>2</sup>		
	32	750	4,0 [2]		

## CONFIGURATIONS

Poles	Part number	Article number	Part number	Article number	Length (L)	Packaging	PU
2	910-Y/02	30.876.002	910-Y-DS/02	40.876.002	18,00 mm	Box	250
3	910-Y/03	30.876.003	910-Y-DS/03	40.876.003	28,00 mm	Box	250
4	910-Y/04	30.876.004	910-Y-DS/04	40.876.004	38,00 mm	Box	200
5	910-Y/05	30.876.005	910-Y-DS/05	40.876.005	48,00 mm	Box	100
6	910-Y/06	30.876.006	910-Y-DS/06	40.876.006	58,00 mm	Box	100

## MATERIAL

Moulding	PA, grey, V-0
Comparative Tracking Index	CTI 400
Insulating Group	II
Temperature Range	-40°C up to 100°C
Terminal body	Tin plated brass
Screw	M3,5; zinc plated steel, blue passivated
Solder pin	1,0 x 1,2 mm; tin plated brass
Wire protector	Tin plated tin bronze

## OPTIONS / ACCESSORIES

- Consecutive numbering
- Special marking according to drawing
- Self-adhesive marking strip BST-10,00

[1] for 910-Y-DS: 26 - 10 AWG

[2] Acc. to IEC 60947-7-4 und IEC 60947-1

