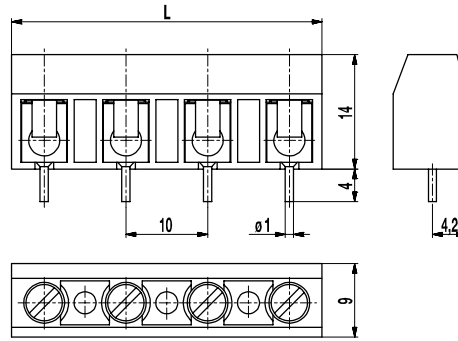
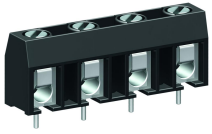


910(-DS)

PCB connector
Screw connection



GENERAL INFORMATION

Pitch	10 mm
No. of poles	2 - 12

TECHNICAL DATA

Clamping Range	<i>solid / stranded / AWG</i>		
<i>without wire protector</i>	2,5 - 10 mm ² / 2,5 - 6 mm ² / 14 - 10 AWG		
<i>with wire protector</i>	1,5 - 6 mm ² / 1,5 - 4 mm ² / 16 - 12 AWG		
Rated Cross Section	4 mm ²		
Wire Stripping Length	6,5 mm ± 0,5 mm		
Overvoltage Category	III	III	II
Pollution Severity Level	3	2	2
Rated Voltage	500 V	630 V	1000 V
Rated Impulse Voltage	6 kV	6 kV	6 kV
Rated Current	25 A		
Hole in PCB	ø 1,3 mm		
Torque	0,8 Nm		

APPROVALS

	Current [A]	Voltage [V]	Group	AWG	[Nm]
	25	300	B	18 - 10	0,79
	25	300	B	22-10 [1]	0,79
	10	300	D, E	22-10 [1]	0,79
	Current [A]	Voltage [V]	mm ²		
	32	750	4,0 [2]		

MATERIAL

Moulding	PA, grey, V-0
Comparative Tracking Index	CTI 400
Insulating Group	II
Temperature Range	-40°C up to 100°C
Terminal body	Tin plated brass
Screw	M3,5; zinc plated steel, blue passivated
Solder pin	ø 1 mm; tin plated brass
Wire protector	Tin plated tin bronze

OPTIONS / ACCESSORIES

- Consecutive numbering
- Special marking according to drawing
- Self-adhesive marking strip BST-10,00
- Solder pin ø 1.5 mm
- Version with two solder pins per pole, please see 910-Y(-DS)

[1] for 910-DS: 26 - 10 AWG

[2] Acc. to IEC 60947-7-4 und IEC 60947-1

CONFIGURATIONS

Poles	Part number	Article number	Part number	Article number	Length (L)	Packaging	PU
2	910/02	10.876.002	910-DS/02	20.876.002	18,00 mm	Box	250
3	910/03	10.876.003	910-DS/03	20.876.003	28,00 mm	Box	250
4	910/04	10.876.004	910-DS/04	20.876.004	38,00 mm	Box	200
5	910/05	10.876.005	910-DS/05	20.876.005	48,00 mm	Box	100
6	910/06	10.876.006	910-DS/06	20.876.006	58,00 mm	Box	100

