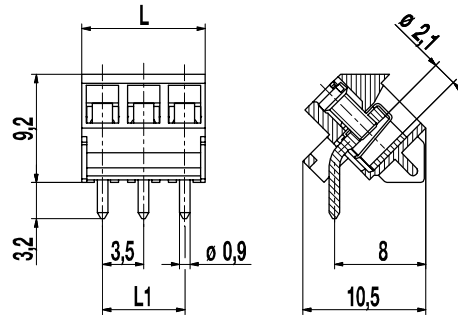
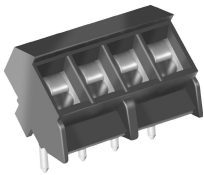
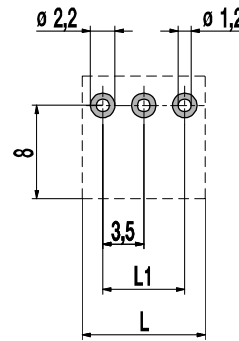


934-THR-DS

PCB connector for THR
Screw connection 45°-angle to PCB



PCB LAYOUT



L1 = (No. of poles - 1) x pitch
Solder paste thickness: 0,15 - 0,2 mm
Solder pad diameter: 2,2 mm

GENERAL INFORMATION

Pitch	3,5 mm
No. of poles	2 - 12
Areas of application	Devices with space critical applications or multi-row connections

TECHNICAL DATA

Clamping Range	solid / stranded / AWG 0,25 - 1,5 mm ² / 0,25 - 1 mm ² / 24 - 16 AWG		
Rated Cross Section	1 mm ²		
Wire Stripping Length	5 mm ± 0,5 mm		
Overvoltage Category	III	III	II
Pollution Severity Level	3	2	2
Rated Voltage	160 V	160 V	320 V
Rated Impulse Voltage	2,5 kV	2,5 kV	2,5 kV
Rated Insulation Voltage	130 V acc. to EN 60998-1		
Rated Current	10 A		
Soldering process	Wave solder & reflow solder		
Hole in PCB	ø 1,2 mm		
PCB thickness	Wave solder max. 1,6 mm; reflow solder 1,6 mm - 3,2 mm		
Torque	0,2 Nm		

APPROVALS

	Current [A]	Voltage [V]	Group	AWG	[Nm]
	10	300	B	26 - 16	0,23
	10	300	B	26 - 16	0,2

MATERIAL

Moulding	PA HT, black, V-0
Comparative Tracking Index	CTI ≥ 600
Insulating Group	I
Temperature Range	-40°C up to 120°C; reflow solder temperature peak max. 255°C acc. to DIN EN 61760-1
Terminal body	Tin plated brass
Screw	M2; zinc plated steel, blue passivated
Solder pin	ø 0,9 mm; tin plated brass
Wire protector	German silver

OPTIONS / ACCESSORIES

- Consecutive numbering
- Special marking according to drawing
- Self-adhesive marking strip BST-3,50 [1]
- Other plug pin lengths on request

[1] To be fitted after reflow soldering process

CONFIGURATIONS

Poles	Part number	Article number	Length (L)	Packaging	PU	Tape Width	Tape Height
2	934-THR-DS/02	20.879.302	7,00 mm	Box	250		
4	934-THR-DS/04	20.879.304	14,00 mm	Box	250		
6	934-THR-DS/06	20.879.306	21,00 mm	Box	200		
2	934-THR-DS/02-T&R	20.879.302.A00	7,00 mm	Tape-on-Reel	300	32 mm	15,2 mm
5	934-THR-DS/05-T&R	20.879.305.A00	17,50 mm	Tape-on-Reel	300	32 mm	15,2 mm

further number of poles on request

