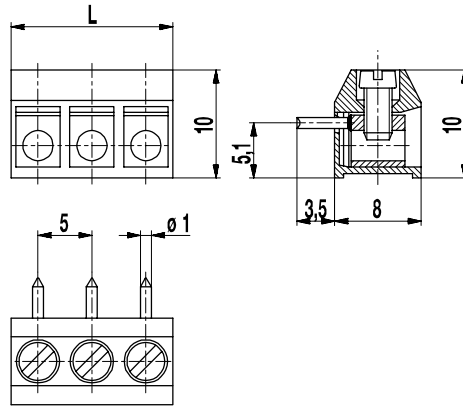


951-HG(-DS)

PCB connector

Screw connection, wire entrance vertical to PCB, extended insertion length



GENERAL INFORMATION

Pitch	5 mm
No. of poles	2 - 32

TECHNICAL DATA

Clamping Range	solid / stranded / AWG		
without wire protector	0,75 - 4 mm ² / 0,75 - 2,5 mm ² / 18 - 12 AWG		
with wire protector	0,34 - 2,5 mm ² / 0,34 - 2,5 mm ² / 22 - 14 AWG		
Rated Cross Section	1,5 mm ²		
Wire Stripping Length	6 mm ± 0,5 mm		
Overvoltage Category	III	III	II
Pollution Severity Level	3	2	2
Rated Voltage	160 V	160 V	320 V
Rated Impulse Voltage	2,5 kV	2,5 kV	2,5 kV
Rated Current	17,5 A		
Hole in PCB	ø 1,3 mm		
Torque	0,4 Nm		
Other specifications	Voltage data in brackets are valid for 9-32 poles types. 2-8 poles types are "no-flame" acc. to glow-wire test.		

APPROVALS

	Current [A]	Voltage [V]	Group	AWG	[Nm]
	15	300	B	26 - 14	0,4
	15	300	B	26 - 14	0,4
	Current [A]	Voltage [V]	mm ²		
	17,5	160	1,5 [1]		

CONFIGURATIONS

Poles	Part number	Article number	Part number	Article number	Length (L)	Packaging	PU
2	951-HG/02	10.871.202	951-HG-DS/02	20.871.202	10,00 mm	Box	250
3	951-HG/03	10.871.203	951-HG-DS/03	20.871.203	15,00 mm	Box	250
4	951-HG/04	10.871.204	951-HG-DS/04	20.871.204	20,00 mm	Box	200
5	951-HG/05	10.871.205	951-HG-DS/05	20.871.205	25,00 mm	Box	100
6	951-HG/06	10.871.206	951-HG-DS/06	20.871.206	30,00 mm	Box	100

further number of poles on request

MATERIAL

Moulding	PA, grey, V-0
Comparative Tracking Index	2-8 poles: CTI ≥ 600; 9-32 poles: CTI 400
Insulating Group	2-8 poles: I; 9-32 poles: II
Temperature Range	-40°C up to 100°C
Terminal body	Tin plated brass
Screw	M2,6; zinc plated steel, blue passivated
Solder pin	ø 1 mm; tin plated copper
Wire protector	Tin plated tin bronze

OPTIONS / ACCESSORIES

- Consecutive numbering
- Special marking according to drawing
- Self-adhesive marking strip BST-5,00
- Longer P.C. pins up to 75 mm

[1] Acc. to IEC 60947-7-4 und IEC 60947-1

