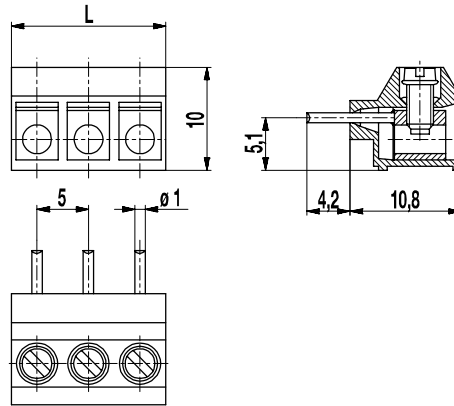


# 951-LH(-DS)

PCB connector

Screw connection, wire entrance vertical to PCB, pottable



## GENERAL INFORMATION

Pitch	5 mm
No. of poles	2 - 12

## TECHNICAL DATA

Clamping Range	solid / stranded / AWG		
without wire protector	0,75 - 2,5 mm <sup>2</sup> / 0,75 - 2,5 mm <sup>2</sup> / 18 - 14 AWG		
with wire protector	0,34 - 2,5 mm <sup>2</sup> / 0,34 - 2,5 mm <sup>2</sup> / 22 - 14 AWG		
Rated Cross Section	1,5 mm <sup>2</sup>		
Wire Stripping Length	6 mm ± 0,5 mm		
Overvoltage Category	III	III	II
Pollution Severity Level	3	2	2
Rated Voltage	160 V	160 V	320 V
Rated Impulse Voltage	2,5 kV	2,5 kV	2,5 kV
Rated Insulation Voltage	130 V acc. to EN 60998-1		
Rated Current	17,5 A		
Hole in PCB	ø 1,3 mm		
Torque	0,4 Nm		

## APPROVALS

	Current [A]	Voltage [V]	Group	AWG	[Nm]
	15	300	B	26 - 14	0,4
	15	300	B	26 - 14	0,4

## MATERIAL

Moulding	PA, grey, V-0
Comparative Tracking Index	CTI ≥ 600
Insulating Group	I
Temperature Range	-40°C up to 100°C
Terminal body	Tin plated brass
Screw	M2,6; zinc plated steel, blue passivated
Solder pin	ø 1 mm; tin plated copper
Wire protector	Tin plated tin bronze

## OPTIONS / ACCESSORIES

- Consecutive numbering
- Special marking according to drawing
- Self-adhesive marking strip BST-5,00
- Pitch of 10 mm for larger clearance and creepage distances
- Other solder pin lengths on request

## CONFIGURATIONS

Poles	Part number	Article number	Part number	Article number	Length (L)	Packaging	PU
2	951-LH/02	15.871.452	951-LH-DS/02	25.871.452	10,00 mm	Box	250
3	951-LH/03	15.871.453	951-LH-DS/03	25.871.453	15,00 mm	Box	250
4	951-LH/04	15.871.454	951-LH-DS/04	25.871.454	20,00 mm	Box	200
5	951-LH/05	15.871.455	951-LH-DS/05	25.871.455	25,00 mm	Box	100
6	951-LH/06	15.871.456	951-LH-DS/06	25.871.456	30,00 mm	Box	100

