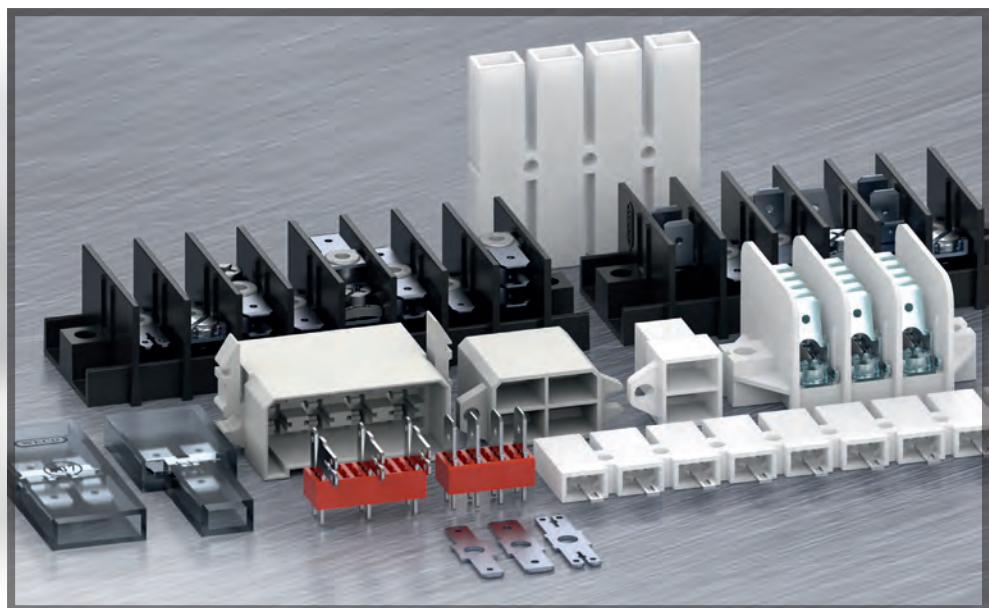





ELECTRICAL

# ■ Tab connectors & Screw connector blocks

8



# Content

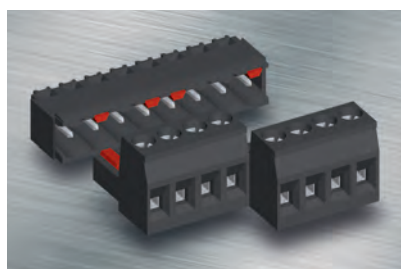
Overview	<b>4</b>	
Who we are ...	<b>5</b>	
Household Appliance Standard	<b>6</b>	
RoHS	<b>7</b>	
Symbols on our data sheets	<b>8</b>	
Tab-, screw and solder connector blocks	<b>9-75</b>	
Flat plug guides and housings	<b>77-81</b>	
Accessories	<b>83-95</b>	
Coding Systems	<b>96</b>	
Marking	<b>97</b>	
Packaging	<b>98</b>	
Moulding colours / Screws	<b>99</b>	
Soldering processes	<b>100</b>	
Technical Information	<b>101</b>	
Customer Designed Solutions	<b>104</b>	
Index	<b>106</b>	

# Overview



## Connectors for printed circuit boards

WECO PCB connectors always offer a good solution for almost any connection problem by its big variety of types. The screw connections are available in socket terminal style, in elevator clamping style or as head contact terminals. The plug connectors are especially designed for the connection of components or peripheral devices. Tab connectors and screwless types complete the product program.



## Plug-In connector systems

The plug-in connector system consisting of plug connectors with screw and their corresponding pin strips. Due to four different pitch sizes, lateral flange executions, tier versions and different plug directions, this product series suit almost every application on the PCB. All connectors offer coding possibilities to avoid incorrect plugging.



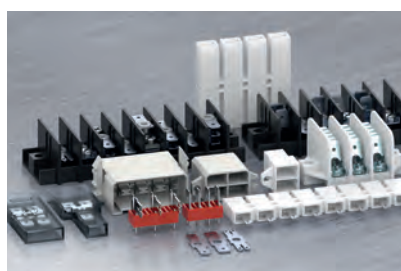
## SMD & THR

“SMarTconn” covers terminals and plug connectors for surface mount and reflow soldering technique. Apart from the proven Through-Hole-Technology (THR) we focus on genuine SMD - Surface Mount Devices – in this product serie. With their reliable adhesive forces and their good reflow soldering capabilities, we offer products, which are a worthy replacement for the conventional soldering technique. All products of this series are packed in tape-on-reel or tube magazines for the automatic assembling with a pick & place machine.



## Terminal strips

This group contains socket terminals, plug-in connectors, screwless types and additionally the combination of screw and solder tag for the wire-to-wire connection. All types are available for different cross sections, with and without wire protectors. The used Polyamide plastic material pass the ball pressure test with 125°C according to VDE 0470, which is demanded in many IEC and VDE regulations for insulants.



## Tab connectors

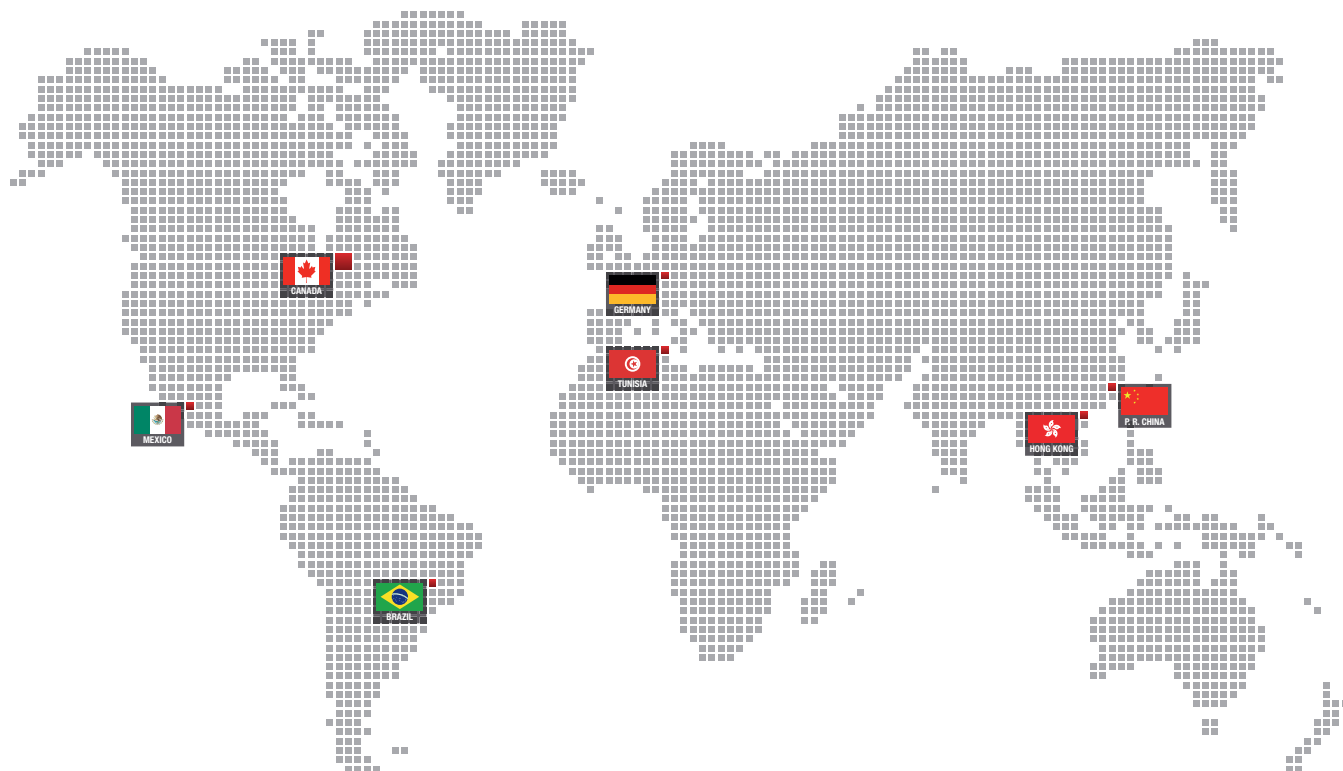
These connectors are equipped with receptacles in different sizes and styles. Mixed arrangements per terminal block as well as per pole (Multi-Point Tab Connectors) are possible. Combinations of tab / solder connectors, flat plug couplers and space saving tier versions increase the density of connections. The tab connectors offer a wide spectrum of possible combinations, whereby many connection problems can be solved.



## Ceramic terminal blocks

This group covers mantle terminals, ceramic terminal strips and terminals for explosion and firedamp-hazard areas. Various sizes and designs permit them to be used for wire cross sections up to 120 mm<sup>2</sup> and including applications in furnace construction and ship building, for engines and intrinsically safe electrical equipment. The terminal blocks with ceramic insulator can be used at increased temperatures.

## Who we are ...



## Connecting to your industries for nearly 100 years!

We are an engineering based company specialized in developing, manufacturing and optimizing electrical connection solutions for the energy, industrial, electrical and electronic markets.

Our company was founded in 1921 in Hanau, Germany. We employ over 480 people in 7 locations around the world and our headquarter is located in Montreal, Quebec, Canada.

We continuously provide the excellent value expected by our customers by developing, enhancing and adapting various connection solutions.

We always strive to get it right the first time, every time, through continuous process improvement and fostering business relationships with customers.

Our streamlined manufacturing production delivers components that offer superior reliability, reduced footprint and compact designs.

These advantages have resulted in reduced lead times and greater efficiency, creating greater return on investment for the end user.

# Household Appliance Standard DIN EN/IEC 60335-1

## What is the household appliance standard all about?

The household appliance standard DIN EN/IEC 60335-1:2012-10 standardizes the safety features of electrical appliances for household and commercial use whose rated voltages do not exceed 250 V for single-phase appliances and 480 V for other appliances.

## Which aspects of the household appliance standard are particularly important for WECO products?

**Chapter 30: Heat- and flame-resistance.** Components made of non-metallic materials holding active components (e.g. connection elements) in position must be resistant against ignition and fire propagation. Electrical appliances are divided into several classes. Depending on their application, they are tested according to different methods.

Most WECO products meet the requirements for unattended appliances with currents > 0.2 A. These requirements stipulate the glow-wire resistance test for non-metallic materials and refer to other glow-wire tests.

These flame-resistance requirements shall prevent self-ignition of unattended appliances. On the market, they are designated as “no flame”.

## Who is affected by this household appliance standard?

The standard is applicable for manufacturers of electric and electronic components in household appliances, such as terminals and switches, e.g. in:

- Dishwashers, washing machines, refrigerators
- Kitchen stoves, microwaves
- Small household appliances, such as mixers, coffee machines

Also affected is unattended equipment used in small and medium-sized enterprises, particularly:

- Pump components
- Illuminant components
- Industrial and commercial cleaning equipment
- Hair salon equipment etc.

## WECO products are compliant with the glow-wire test of the household appliance standard!

For the white goods market segment, WECO Contact GmbH offers an extensive range of PC board terminals and PC board plug connectors which meet the flame-resistance requirements of the Household Appliance Standard DIN EN/IEC 60335-1.

Molding materials used by WECO are tested and VDE-approved according to the glow-wire test requirements specified in DIN EN/IEC 60335-1. This applies for all standard WECO colors!

WECO products made of these molding materials are:

- All products with PC board connection technology, except for versions with higher number of poles such as series 95.., 96.. and 97...,
- Terminal strips (catalogue 7), if purchased made of V-0 molding material (for unprinted versions, the part number ends with “EN6”),
- Other products. Feasibility must be checked individually.



WECO “no flame” products are designated with a small symbol on our label:



## Our customer service

WECO takes technical support and after-sale service for our customers very seriously.

For your information, we have therefore compiled a list of all manufacturer products affected by the household appliance standard on our website. At a glance, you can gather information on whether your appliances are affected or not.

The list is also a valuable tool for both our sales staff and our field reps, helping them to resolve unclear issues in project meetings, and enabling them to optimally support the customer.

# RoHS - Restriction of Hazardous Substances

## Declaration

The directive 2002/95/EC (RoHS 1) on the restriction of the use of certain hazardous substances in electrical and electronic equipment controls since 1st July 2006 the use of hazardous substances in devices and components.

The directive is generally named with the short term RoHS (Restriction of Hazardous Substances). It affects manufacturers, sellers, distributors and recyclers of electrical and electronic equipment containing mercury, cadmium, lead, chromium VI, polybrominated biphenyls (PBB) and polybrominated diphenyl ethers (PBDE).

This directive has been replaced on 3rd January 2013 by the revised version 2011/65/EU (RoHS 2). Thus, the ranges of validity of the RoHS have been extended. Earlier given exceptions are reduced step by step.

WECO Contact is a responsible manufacturer of components for electrical connection technology and thus provides products in RoHS - compliant versions since the implementation of the EU Directive 2002/95/EC in 2006. All products are now RoHS compliant since the recast 2011/65/EU.



## Labeling of our products

Customers can clearly see the RoHS Compliance of the product on the right bottom of our product labels, marked with a little icon:



## Symbols on our data sheets

These symbols can be found on our data sheets on the right side of the product image.



RoHS compliant  
These articles comply with  
the RoHS regulations.



„no flame“ after glow-wire test according to household appliance  
standard DIN EN/IEC 60335-1.  
The housing materials used are VDE-tested and approved  
according to the glow-wire tests specified in DIN EN/IEC 60335-1.  
They meet the requirements of the household appliance standard.



This product is available in Tape-on-Reel.  
Detailed information about number of poles, part numbers, tape  
width, belt height and packing units is given on the data sheet.



Approval „Canadian Standards Association“, CANADA  
File: 024322\_0\_000



Approval „Underwriters Laboratories“, USA  
File: XCFR2.E69841  
File: XCFR8.E69841



Approval „Electrosuisse, SEV Verband für Elektro-, Energie- und  
Informationstechnik“, SWITZERLAND  
Eidgenössisches Starkstrominspektorat (# 17.0883)



Approval „Verband der Elektrotechnik, Elektronik und  
Informationstechnik“, GERMANY

### Legal Notice

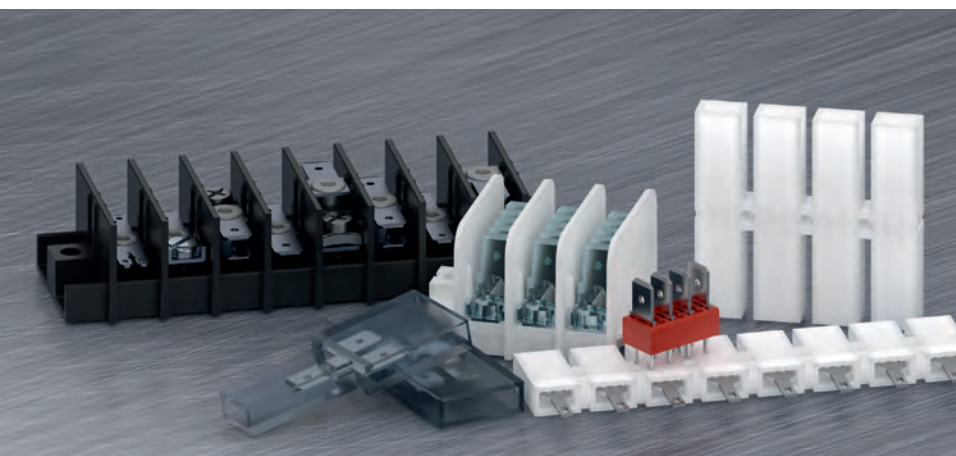
We reserve the right to make technical as well as changes to measurements, colours and formats  
after print.

Only the values given in our written confirmations will be binding for us.

Please take notice that it is not allowed to use our photos, drawings or catalogue pages for your  
own applications without having our written agreement.



## Tab-, screw and solder connector blocks



Tab connectors are equipped with tab terminals of various sizes and can be used combined as assemblies on one strip but also on only one contact.

These lead distributors and space-saving feature multi-tier designs thus increasing connection density. Thanks to the countless possible combinations, also with screw or solder terminals, our tab connectors provide immediate solutions for most connection problems.

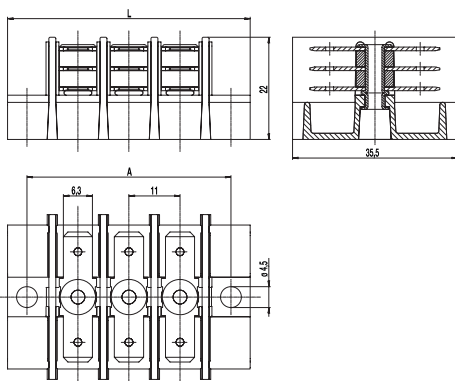
Tab- and solder connector blocks are used mainly as connectors, lead distributors or as an electrical interface in equipment and motor vehicles.

Depending on your application, these connector blocks are available with B 2.8, 4.8 or 6.3 tab connectors in various sizes, pole numbers and designs. We deliver tab connector blocks with two-sided push-on termination, as solder tab connectors and as tab connector guide.



# 3070-PCM

Tab/screw connector blocks  
Parallel arrangement of the tabs



$L = (\text{Number of poles} \times \text{Pitch}) + 19,3$   
 $A = (\text{Number of poles} + 1) \times \text{Pitch}$   
 Shown type of tab connector package: 5.033

Series 3070-PCM connectors are a combination of straight tab and straight screw connectors and used for mains connection of electrical equipment and many other applications. Depending on the respective specifications, they are available in different pole number and variants.

Type 307-PC is designed only with one-tier tabs.

Tab connectors are suitable for tab receptacles according to DIN 46247. They are joined with a metal rivet to a package with multiple connections (max. 6 connection per pole), thus resulting in low contact resistances.

Due to the numerous and variable assembly combinations at the pole, high connection densities can be achieved.

Mounting holes are located at each end.

Flexible wires require the use of ferrules and cable lugs.

For mixed assemblies, we kindly ask for a scheme according to the example on the next page. For asymmetrical assemblies, it must contain the component orientation.

Due to the large variety of different types, article numbers cannot be listed.

## General Information

Pitch	11 mm
No. of poles	2 - 21

## Technical Data

Clamping Range	<i>solid / flexible / AWG</i>		
	0,75-4 mm <sup>2</sup> / 0,75-2,5 mm <sup>2</sup> / 18-12 AWG [1] 0,5-1,5 mm <sup>2</sup> / 0,5-1,5 mm <sup>2</sup> / 20-16 AWG [2]		
Rated Cross Section	4 mm <sup>2</sup> [1] / 1,5 mm <sup>2</sup> [2]		
Wire Stripping Length	8 mm		
Overvoltage Category	III	III	II
Pollution Severity Level	3	2	2
Rated Voltage	200 V	320 V	500 V
Rated Impulse Voltage	4 kV	4 kV	4 kV
Rated Insulation Voltage	250 V acc. to EN 60998-1 [8]		
Rated Current	7,5 A with receptacle 2,8; wire 1 mm <sup>2</sup> (16 AWG) 15 A with receptacle 4,8; wire 2,5 mm <sup>2</sup> (14 AWG) 20 A with receptacle 6,3; wire 6 mm <sup>2</sup> (10 AWG)		
Torque	1,2 Nm		
Other specifications	Screw terminals are generally suitable for wires with identical wire type / cross-section.		

## Material

Moulding	PC, black, V-0
Comparative Tracking Index	CTI 225
Temperature Range	-40°C up to 125°C
Tab	Nickel plated brass
Screw	M4; zinc plated steel, blue passivated
Tubular rivet	Tin plated copper

## Approvals

	Current [A]	Voltage [V]	Group	AWG	[Nm]
	25	300	B	max. 10	[3][6][7]
	15	300	B	max. 14	[4][6][7]
	6	300	B	max. 16	[5][6][7]
	25	300	B	max. 10	[3]
	15	300	B	max. 10	[4]
	Current [A]	Voltage [V]	[mm <sup>2</sup> ]		
	[9]				

## Options / Accessories

- Marking strips BST-307
- Jumpers 307-V, 307-VS; Cover 3070-B
- Moulding made of polyamid
- Special packages upon request (e.g. 6,3 tab connector with solder connection)

[1] Screw connection

[2] SAK version

[3] for use with insulation receptacles 6,3

[4] for use with insulation receptacles 4,8

[5] for use with insulation receptacles 2,8

[6] for factory wiring only

[7] Group C: 150 V

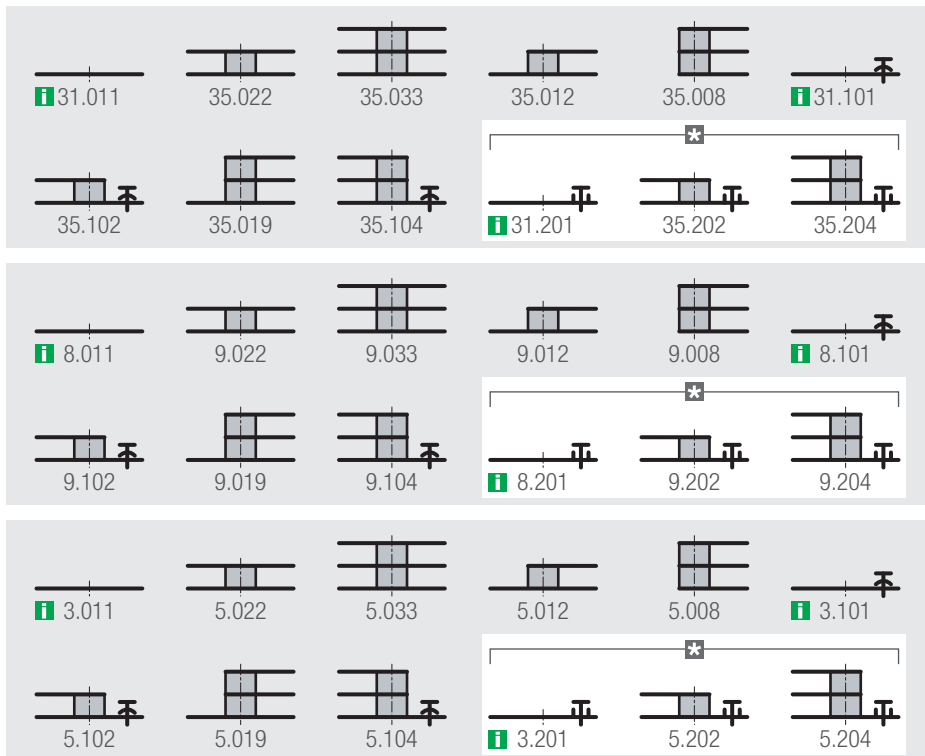
[8] for use with insulation receptacles 450 V

[9] except XBS version

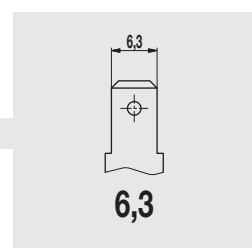
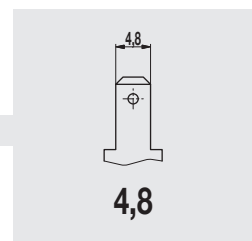
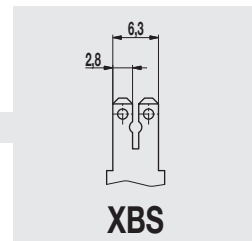
# 3070-PCM

Tab/screw connector blocks  
 Assembly options and order information

## Assembly options



## Tab size



Tab, screw and slider connector blocks

⊠ This type of assembly (SAK-variants) features laterally raised edges preventing false insertion of wires with small cross-sections.

i Designs, which ONLY consist of one-tier tab connector (.011, .101 and/or .201), are obtained as product "307 PC", please see corresponding data sheet.

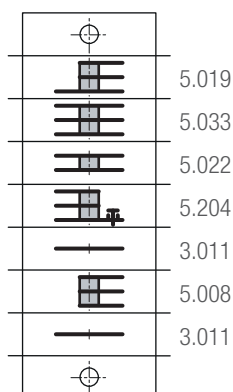
**Poles**  
**02**  
 up to  
**21**

**Assembly options**  
 Please enter here the desired assembly type number.

If you order various sizes, please enclose drawing and enter here: **MIX**

**3070-PCM/** [ ] - [ ]

## Example ordering scheme for mixed assembly ("MIX")



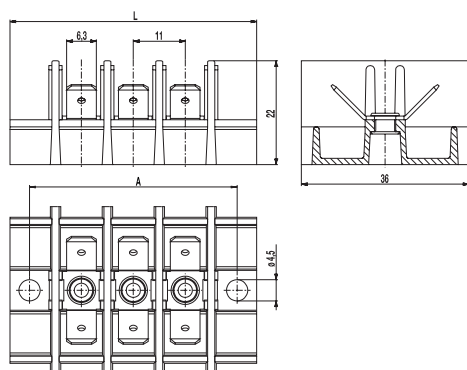
When inquiring or ordering products for uniform assembly, stating the above designation is sufficient.

For mixed assembly ("MIX" as part of the type designation), we additionally need a drawing according to the example on the left.

The drawing must state the desired number of poles, the assembly of each pole and the assembly number.

## 307-PC-/PCM

Tab/screw connector blocks  
Star-shaped tab arrangement



$L = (\text{number of poles} \times \text{pitch}) + 19,3$

$A = (\text{number of poles} + 1) \times \text{pitch}$

Types of connection shown with package 3.077

A combination of straight and angular tabs and straight screw connections, these connector blocks are particularly suitable for the mains connection of electrical equipment. They are available in various sizes, pole numbers and types for individual applications. Depending on the application requirements, they are available in different number of poles and variants.

The tabs are suitable for receptacles to DIN 46247 and assembled in packets containing multiple ports (maximum of 6 ports per pole) with a metal rivet which results in low contact resistance.

Due to the variable and extensive assembly combinations of the poles, a high packing density is achieved.

At the end of the connectors a fixing hole is provided. Flexible conductors may only be used with core cable ends and cable lugs.

At a mixed assembly, we ask for a sketch according to order illustration (please see next page), especially for the orientation of asymmetric packets.

Due to the variety of designs, a total list of part numbers is not possible.

Note concerning the variants:

...PC: single level

...PCM: multi level

### General Information

Pitch	11 mm
No. of poles	2 - 21

### Technical Data

Clamping Range	<i>solid / flexible / AWG</i>		
	0,75-4 mm <sup>2</sup> / 0,75-2,5 mm <sup>2</sup> / 18-12 AWG [1] 0,5-1,5 mm <sup>2</sup> / 0,5-1,5 mm <sup>2</sup> / 20-16 AWG [2]		
Rated Cross Section	4 mm <sup>2</sup> [1] / 1,5 mm <sup>2</sup> [2]		
Wire Stripping Length	8 mm ± 0,5 mm		
Overvoltage Category	III	III	II
Pollution Severity Level	3	2	2
Rated Voltage	200 V	320 V	500 V
Rated Impulse Voltage	4 kV	4 kV	4 kV
Rated Insulation Voltage	250 V acc. to EN 60998-1 [3]		
Rated Current	7,5 A with receptacle 2,8; wire 1 mm <sup>2</sup> (16 AWG) 15 A with receptacle 4,8; wire 2,5 mm <sup>2</sup> (14 AWG) 20 A with receptacle 6,3; wire 6 mm <sup>2</sup> (10 AWG)		
Torque	1,2 Nm		
Other specifications	Screw terminals are generally suitable for wires with identical wire type / cross-section.		

### Material

Moulding	PC, black, V-0
Comparative Tracking Index	CTI 225
Temperature Range	-40°C up to 125°C
Tab	Nickel plated brass
Screw	M4; zinc plated steel, blue passivated
Tubular rivet	Tin plated copper

### Approvals

	Current [A]	Voltage [V]	Group	AWG	[Nm]
	25	300	B	max. 10	[4][7][8]
	15	300	B	max. 14	[5][7][8]
	6	300	B	max. 16	[6][7][8]
	25	300	B	max. 10	[4]
	15	300	B	max. 10	[5]
	Current [A]	Voltage [V]	[mm <sup>2</sup> ]		
				[9]	

### Options / Accessories

- Marking strips BST-307
- Jumpers 307-V, 307-VS
- Moulding made of polyamid

[1] Screw connection

[2] SAK version

[3] for use with insulation receptacles 450 V

[4] for use with insulation receptacles 6,3

[5] for use with insulation receptacles 4,8

[6] for use with insulation receptacles 2,8

[7] for factory wiring only

[8] Group C: 150 V

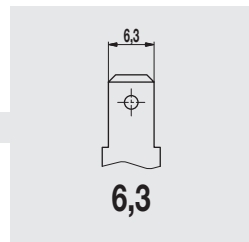
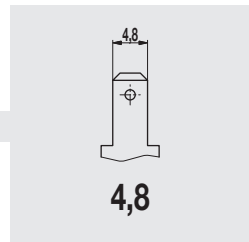
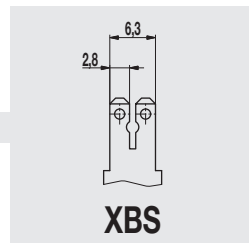
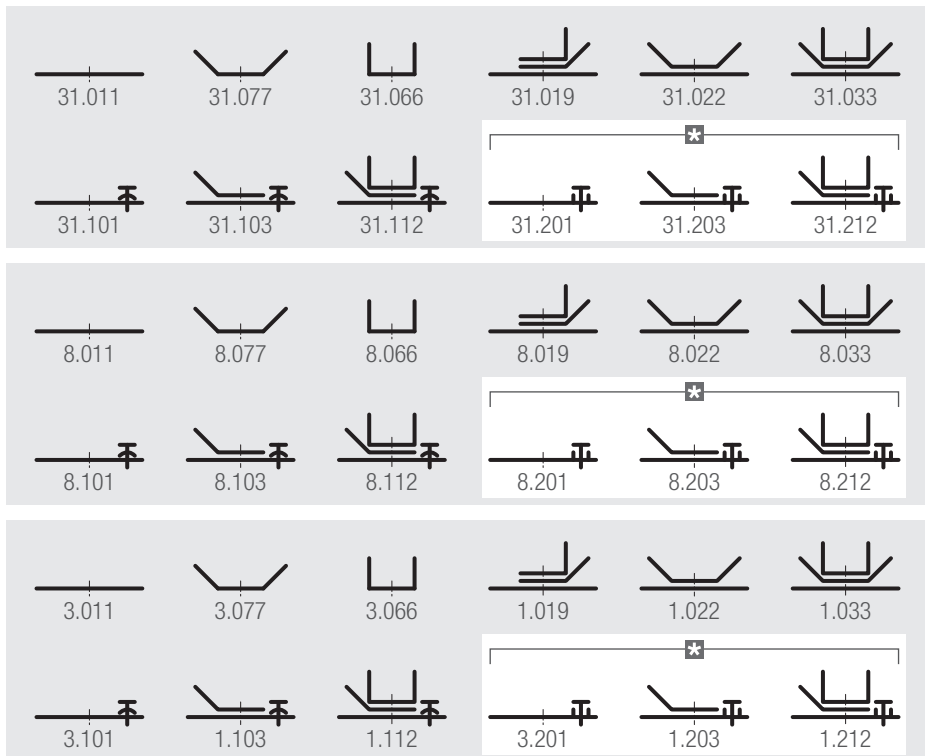
[9] except XBS version

# 307-PC/-PCM

Tab/screw connector blocks  
 Assembly options and order information

## Assembly options

## Tab size



⊠ This type of assembly (SAK-variants) features laterally raised edges preventing false insertion of wires with small cross-sections.

**Poles**  
**02**  
 up to  
**21**

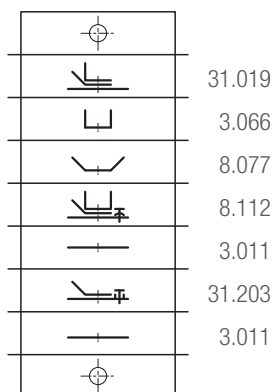
**Assembly options**  
 Please enter here the desired assembly type number.

If you order various sizes, please enclose drawing and enter here: **MIX**

**307-PCM/** [ ] - [ ]

one-tier tab connector (.011, .077, .066, .101, .201) only as „-PC“

## Example ordering scheme for mixed assembly (“MIX”)

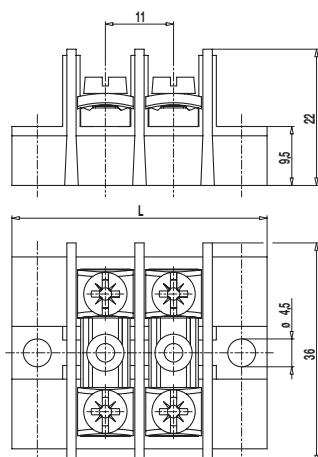


When inquiring or ordering products for uniform assembly, stating the above designation is sufficient.

For mixed assembly (“MIX” as part of the type designation), we additionally need a drawing according to the example on the left. The drawing must state the desired number of poles, the assembly of each pole and the assembly number.

## 307-PCF

Multi-point screw connector  
with grooved flat terminals



The multi-point screw connector 307-PCF in 11 mm pitch is available in 2- to 21-pole design.

They are equipped with grooved flat terminals and are particularly suitable for the mains connection of electrical equipment. They are available in various sizes, pole numbers and types to suit individual applications.

The grooves serve as wire guide and prevent lateral wire offset when fastening the screw connection.

Each one mounting hole is provided on the end of the connector block.

The connector block features a polycarbonate housing with riveted flat tabs according to DIN 41000/12.66

### Part Numbers

No. of poles	307-PCF	Length	A *	PU
2	50.880.602	41,3	33,00	112
3	50.880.603	52,3	44,00	84
4	50.880.604	63,3	55,00	64
5	50.880.605	74,3	66,00	56
6	50.880.606	85,3	77,00	48
7	50.880.607	96,3	88,00	40
8	50.880.608	107,3	99,00	36
9	50.880.609	118,3	110,00	32
10	50.880.610	129,3	121,00	32
11	50.880.611	140,3	132,00	28
12	50.880.612	151,3	143,00	20
13	50.880.613	162,3	154,00	24
14	50.880.614	173,3	165,00	42
15	50.880.615	184,3	176,00	42
16	50.880.616	195,3	187,00	21
17	50.880.617	206,3	198,00	21
18	50.880.618	217,3	209,00	63
19	50.880.619	228,3	220,00	16
20	50.880.620	239,3	231,00	70
21	50.880.621	250,3	242,00	16

\* = Distance of the two outermost mounting holes

### General Information

Pitch	11 mm
No. of poles	2 - 21
Usable with	Cover 3070-B; securing pins BEF-3070

### Technical Data

Clamping Range	<i>solid / flexible / AWG</i>		
	0,5 - 4 mm <sup>2</sup> / 0,5 - 4 mm <sup>2</sup> / 20 - 14 AWG [1] [2] [3]		
Rated Cross Section	4 mm <sup>2</sup>		
Wire Stripping Length	12,5 mm ± 0,5 mm		
Overvoltage Category	III	III	II
Pollution Severity Level	3	2	2
Rated Voltage	400 V	630 V	630 V
Rated Impulse Voltage	6 kV	6 kV	6 kV
Rated Insulation Voltage	750 V acc. to EN 60998-1		
Rated Current	32 A		
Torque	1,2 Nm		
Other specifications	Screw terminals are generally suitable for wires with identical wire type / cross-section.		

### Material

Moulding	PC, black, V-0
Comparative Tracking Index	CTI 250
Insulating Group	IIIa
Temperature Range	-40°C up to 125°C
Screw terminal	Nickel plated brass
Screw	M4; zinc plated steel, blue passivated
Tubular rivet	Tin plated copper
Washer	Zinc plated steel, blue passivated

### Approvals

	Current [A]	Voltage [V]	Group	AWG	[Nm]
	20	300	B	max. 14	1,2
	20	150	C	max. 14	1,2
	20	300	B	18 - 14	1,2
	20	150	C	18 - 14	1,2

### Options / Accessories

- Consecutive numbering
- Special marking according to drawing
- Marking strips BST-307
- Jumper 307-VS and 307-V
- Cover 3070-B
- Securing pin BEF-3070
- Moulding made of polyamid

[1] with cable lug 6 mm<sup>2</sup>

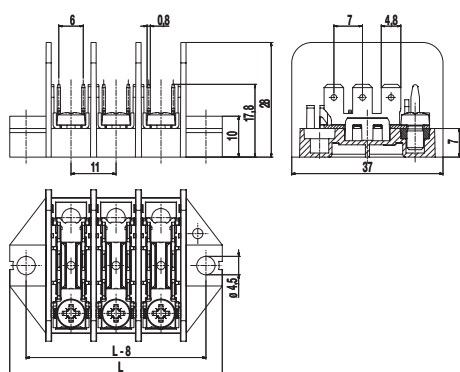
[2] Ferrules are required when using flexible or fine-wire conductors.

[3] for 4 mm<sup>2</sup> flexible wires, only one conductor per clamping unit is possible

# 308-PA../-101

Distribution block

Tab connections 6 x 4,8 & Screw connection; vertical



## Part Numbers

No. of poles	308-PA../-101	Length	PU
1	11.885.101	30	250
2	12.885.101	41	200
3	13.885.101	52	200
4	14.885.101	63	100
5	15.885.101	74	100
6	16.885.101	85	100
7	17.885.101	96	100
8	18.885.101	107	50
10	20.885.101	129	50
12	22.885.101	151	50

further number of poles on request

## General Information

Pitch	11 mm
No. of poles	1 - 16

## Technical Data

Clamping Range	<i>solid / flexible / AWG</i> 0,5 - 2,5 mm <sup>2</sup> / 0,5 - 2,5 mm <sup>2</sup> / 20 - 14 AWG [1][2]
Rated Cross Section	1,5 mm <sup>2</sup> [3]
Wire Stripping Length	7 mm ± 0,5 mm
Rated Insulation Voltage	450 V acc. to EN 60998-1
Rated Current	acc. to DIN EN 61210: 7,5 A with receptable 4,8; wire 1 mm <sup>2</sup> 12 A with receptable 4,8; wire 1,5 mm <sup>2</sup> 15 A with receptable 4,8; wire 2,5 mm <sup>2</sup>  17,5 A with screw connection; wire 1,5 mm <sup>2</sup>
Torque	1,7 Nm
Other specifications	Screw terminals are generally suitable for wires with identical wire type / cross-section.

## Material

Moulding	PA, natural, V-2
Comparative Tracking Index	CTI 250
Insulating Group	IIIa
Temperature Range	RTI Str 90°C
Tab	Zinc plated steel
Screw	M4; Zinc plated steel, blue passivated
Square washer	M4; Zinc plated steel

## Approvals

	Current [A]	Voltage [V]	Group	AWG	[Nm]
	15	300	B	16 - 14 [4]	1,7
	10	300	D	16 - 14 [4]	1,7
	Current [A]	Voltage [V]	[mm <sup>2</sup> ]		
	17,5	450	1,5		

## Options / Accessories

- Consecutive numbering
- Special marking according to drawing
- Fixed marking in the tool on request
- Jumper VB-308

[1] Per pole two wires of identical cross-section can be connected. This is valid up to 1,5 mm<sup>2</sup> / 16 AWG.

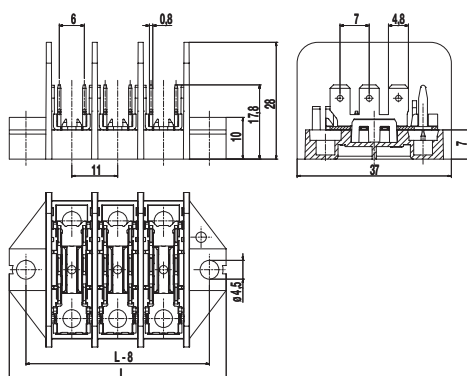
[2] Ferrules are required when using flexible or multi-stranded wires

[3] Screw connection

[4] AWG specifications refer to screw connections

# 308-PA../-102

Distribution block  
Tab connections 6 x 4,8; vertical



## Part Numbers

No. of poles	308-PA../-102	Length	PU
1	11.885.102	30	250
2	12.885.102	41	200
3	13.885.102	52	200
4	14.885.102	63	100
5	15.885.102	74	100
6	16.885.102	85	100
7	17.885.102	96	100
8	18.885.102	107	50
10	20.885.102	129	50
12	22.885.102	151	50

further number of poles on request

## General Information

Pitch	11 mm
No. of poles	1 - 16

## Technical Data

Rated Insulation Voltage	450 V acc. to EN 60998-1
Rated Current	acc. to DIN EN 61210: 7,5 A with receptable 4,8; wire 1 mm <sup>2</sup> 12 A with receptable 4,8; wire 1,5 mm <sup>2</sup> 15 A with receptable 4,8; wire 2,5 mm <sup>2</sup>

## Material

Moulding	PA, natural, V-2
Comparative Tracking Index	CTI 250
Insulating Group	IIIa
Temperature Range	RTI Str 90°C
Tab	Zinc plated steel

## Approvals

	Current [A]	Voltage [V]	Group	AWG	[Nm]
cUL <sup>®</sup> US	15	300	B		
	10	300	D		
	Current [A]	Voltage [V]	[mm <sup>2</sup> ]		
DVE	17,5	450	1,5		

## Options / Accessories

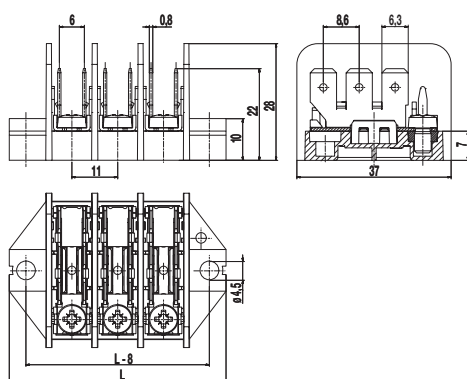
- Consecutive numbering
- Special marking according to drawing
- Fixed marking in the tool on request



# 308-PA/..-201

Distribution block

Tab connections 6 x 6,3 & Screw connection; vertical



## Part Numbers

No. of poles	308-PA/..-201	Length	PU
1	11.885.201	30	250
2	12.885.201	41	200
3	13.885.201	52	200
4	14.885.201	63	100
5	15.885.201	74	100
6	16.885.201	85	100
7	17.885.201	96	100
8	18.885.201	107	50
10	20.885.201	129	50
12	22.885.201	151	50

further number of poles on request

## General Information

Pitch	11 mm
No. of poles	1 - 16

## Technical Data

Clamping Range	<i>solid / flexible / AWG</i> 0,5 - 2,5 mm <sup>2</sup> / 0,5 - 2,5 mm <sup>2</sup> / 20 - 14 AWG [1][2]
Rated Cross Section	1,5 mm <sup>2</sup> [3]
Wire Stripping Length	7 mm ± 0,5 mm
Rated Insulation Voltage	450 V acc. to EN 60998-1
Rated Current	acc. to DIN EN 61210: 12 A with receptable 6,3; wire 1,5 mm <sup>2</sup> 15 A with receptable 6,3; wire 2,5 mm <sup>2</sup> 18 A with receptable 6,3; wire 4 mm <sup>2</sup> 20 A with receptable 6,3; wire 6 mm <sup>2</sup>  17,5 A with screw connection; wire 1,5 mm <sup>2</sup>
Torque	1,7 Nm
Other specifications	Screw terminals are generally suitable for wires with identical wire type / cross-section.

## Material

Moulding	PA, natural, V-2
Comparative Tracking Index	CTI 250
Insulating Group	IIIa
Temperature Range	RTI Str 90°C
Tab	Zinc plated steel
Screw	M4; Zinc plated steel, blue passivated
Square washer	M4; Zinc plated steel

## Approvals

	Current [A]	Voltage [V]	Group	AWG	[Nm]
	15	300	B	16 - 14 [4]	1,7
	10	300	D	16 - 14 [4]	1,7
	Current [A]	Voltage [V]	[mm <sup>2</sup> ]		
	17,5	450	1,5		

## Options / Accessories

- Consecutive numbering
- Special marking according to drawing
- Fixed marking in the tool on request
- Jumper VB-308

[1] Per pole two wires of identical cross-section can be connected. This is valid up to 1,5 mm<sup>2</sup> / 16 AWG.

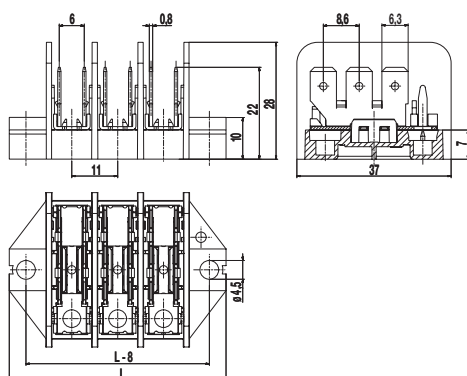
[2] Ferrules are required when using flexible or multi-standed wires

[3] Screw connection

[4] AWG specifications refer to screw connections

# 308-PA/..-202

Distribution block  
Tab connections 6 x 6,3; vertical



## Part Numbers

No. of poles	308-PA/..-202	Length	PU
1	11.885.202	30	250
2	12.885.202	41	200
3	13.885.202	52	200
4	14.885.202	63	100
5	15.885.202	74	100
6	16.885.202	85	100
7	17.885.202	96	100
8	18.885.202	107	50
10	20.885.202	129	50
12	22.885.202	151	50

further number of poles on request

## General Information

Pitch	11 mm
No. of poles	1 - 16

## Technical Data

Rated Insulation Voltage	450 V acc. to EN 60998-1
Rated Current	acc. to DIN EN 61210: 12 A with receptable 6,3; wire 1,5 mm <sup>2</sup> 15 A with receptable 6,3; wire 2,5 mm <sup>2</sup> 18 A with receptable 6,3; wire 4 mm <sup>2</sup> 20 A with receptable 6,3; wire 6 mm <sup>2</sup>

## Material

Moulding	PA, natural, V-2
Comparative Tracking Index	CTI 250
Insulating Group	IIIa
Temperature Range	RTI Str 90°C
Tab	Zinc plated steel

## Approvals

	Current [A]	Voltage [V]	Group	AWG	[Nm]
	20	300	B		
	10	300	D		
	Current [A]	Voltage [V]	[mm <sup>2</sup> ]		
	17,5	450	1,5		

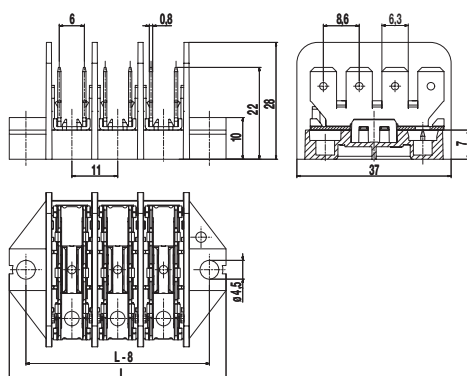
## Options / Accessories

- Consecutive numbering
- Special marking according to drawing
- Fixed marking in the tool on request

# 308-PA/..-302, 308-PAG/..-302

Distribution block

Tab connections 8 x 6,3; vertical



## Part Numbers

No. of poles	308-PA/..-302	308-PAG/..-302	Length	PU
1	11.885.302		30	250
2	12.885.302	12.888.302	41	200
3	13.885.302	13.888.302	52	200
4	14.885.302		63	100
5	15.885.302		74	100
6	16.885.302		85	100
7	17.885.302		96	100
8	18.885.302		107	50
10	20.885.302		129	50
12	22.885.302		151	50

further number of poles on request

## General Information

Pitch	11 mm
No. of poles	1 - 16

## Technical Data

Rated Insulation Voltage	450 V acc. to EN 60998-1
Rated Current	acc. to DIN EN 61210: 12 A with receptable 6,3; wire 1,5 mm <sup>2</sup> 15 A with receptable 6,3; wire 2,5 mm <sup>2</sup> 18 A with receptable 6,3; wire 4 mm <sup>2</sup> 20 A with receptable 6,3; wire 6 mm <sup>2</sup>

## Material

Moulding	PA, natural, V-2 (PAG-Version: PA glass fiber reinforced, natural, V-0) Details in round brackets apply for "no flame" products
----------	---

Comparative Tracking Index	CTI 250 (CTI 400)
Insulating Group	IIIa (II)
Temperature Range	RTI Str 90°C (130°C PAG-Version)
Tab	Zinc plated steel

## Approvals

	Current [A]	Voltage [V]	Group	AWG	[Nm]
	20	300	B		
	10	300	D		
	Current [A]	Voltage [V]	[mm <sup>2</sup> ]		
	17,5	450	1,5		

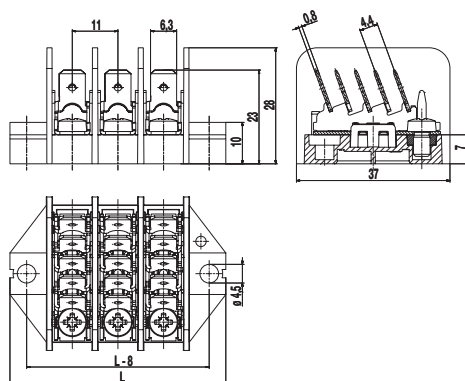
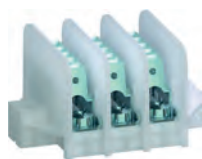
## Options / Accessories

- Consecutive numbering
- Special marking according to drawing
- Fixed marking in the tool on request

# 308-PA/..-401, 308-PAG/..-401

Distribution block

Tab connections 5 x 6,3 & Screw connection; inclined



## Part Numbers

No. of poles	308-PA/..-401	308-PAG/..-401	Length	PU
1	11.885.401	11.888.401	30	250
2	12.885.401	12.888.401	41	200
3	13.885.401	13.888.401	52	200
4	14.885.401	14.888.401	63	100
5	15.885.401	15.888.401	74	100
6	16.885.401	16.888.401	85	100
7	17.885.401	17.888.401	96	100
8	18.885.401	18.888.401	107	50
10	20.885.401	20.888.401	129	50
12	22.885.401	22.888.401	151	50

further number of poles on request

## General Information

Pitch	11 mm
No. of poles	1 - 16

## Technical Data

Clamping Range	<i>solid / flexible / AWG</i> 0,5 - 2,5 mm <sup>2</sup> / 0,5 - 2,5 mm <sup>2</sup> / 20 - 14 AWG [1][2]
Rated Cross Section	1,5 mm <sup>2</sup> [3]
Wire Stripping Length	10 mm ± 0,5 mm
Rated Insulation Voltage	450 V acc. to EN 60998-1
Rated Current	acc. to DIN EN 61210: 12 A with receptable 6,3; wire 1,5 mm <sup>2</sup> 15 A with receptable 6,3; wire 2,5 mm <sup>2</sup> 18 A with receptable 6,3; wire 4 mm <sup>2</sup> 20 A with receptable 6,3; wire 6 mm <sup>2</sup>  17,5 A with screw connection; wire 1,5 mm <sup>2</sup>
Torque	1,7 Nm
Other specifications	Screw terminals are generally suitable for wires with identical wire type / cross-section.

## Material

Moulding	PA, natural, V-2 (PAG-Version: PA glass fiber reinforced, natural, V-0) Details in round brackets apply for "no flame" products
Comparative Tracking Index	CTI 250 (CTI 400)
Insulating Group	IIIa (II)
Temperature Range	RTI Str 90°C (130°C PAG-Version)
Tab	Zinc plated steel
Screw	M4; Zinc plated steel, blue passivated
Square washer	M4; Zinc plated steel

## Approvals

	Current [A]	Voltage [V]	Group	AWG	[Nm]
	15	300	B	16 - 14 [4]	1,7
	10	300	D	16 - 14 [4]	1,7
	Current [A]	Voltage [V]	[mm <sup>2</sup> ]		
	17,5	450	1,5		

## Options / Accessories

- Consecutive numbering
- Special marking according to drawing
- Fixed marking in the tool on request
- Jumper VB-308

[1] Per pole two wires of identical cross-section can be connected. This is valid up to 1,5 mm<sup>2</sup> / 16 AWG.

[2] Ferrules are required when using flexible or multi-stranded wires

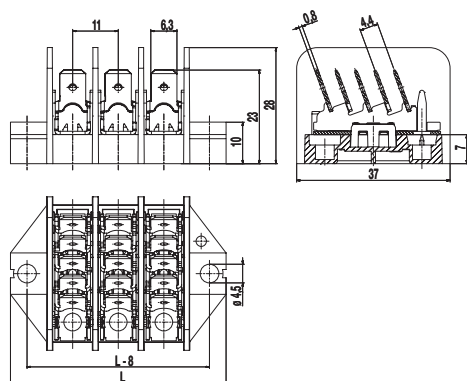
[3] Screw connection

[4] AWG specifications refer to screw connections

# 308-PA/..-402, 308-PAG/..-402

Distribution block

Tab connections 5 x 6,3; inclined



## Part Numbers

No. of poles	308-PA/..-402	308-PAG/..-402	Length	PU
1	11.885.402	11.888.402	30	250
2	12.885.402	12.888.402	41	200
3	13.885.402	13.888.402	52	200
4	14.885.402	14.888.402	63	100
5	15.885.402	15.888.402	74	100
6	16.885.402	16.888.402	85	100
7	17.885.402	17.888.402	96	100
8	18.885.402	18.888.402	107	50
10	20.885.402	20.888.402	129	50
12	22.885.402	22.888.402	151	50

further number of poles on request

## General Information

Pitch	11 mm
No. of poles	1 - 16

## Technical Data

Rated Insulation Voltage	450 V acc. to EN 60998-1
Rated Current	acc. to DIN EN 61210: 12 A with receptable 6,3; wire 1,5 mm <sup>2</sup> 15 A with receptable 6,3; wire 2,5 mm <sup>2</sup> 18 A with receptable 6,3; wire 4 mm <sup>2</sup> 20 A with receptable 6,3; wire 6 mm <sup>2</sup>

## Material

Moulding	PA, natural, V-2 (PAG-Version: PA glass fiber reinforced, natural, V-0) Details in round brackets apply for "no flame" products
----------	---

Comparative Tracking Index	CTI 250 (CTI 400)
Insulating Group	IIIa (II)
Temperature Range	RTI Str 90°C (130°C PAG-Version)
Tab	Zinc plated steel

## Approvals

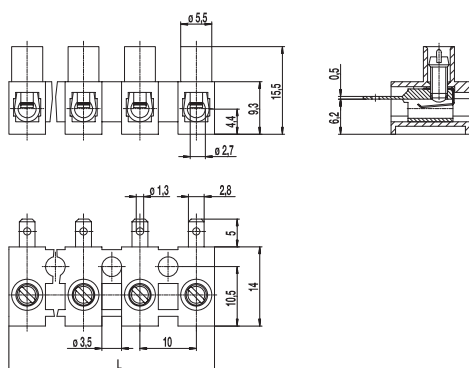
	Current [A]	Voltage [V]	Group	AWG	[Nm]
	20	300	B		
	10	300	D		
	Current [A]	Voltage [V]	[mm <sup>2</sup> ]		
	17,5	450	1,5		

## Options / Accessories

- Consecutive numbering
- Special marking according to drawing
- Fixed marking in the tool on request

## 322-A-2,8(-DS)

Tab/screw connector  
with tab A 2,8



The tab connector block 322-A-2,8 in 10 mm pitch is available with 1 to 12 poles. These connector strips are a combination of screw and tab connectors. They can be used to connect equipment to the grid and are well suited for many other applications.

After slipping on the tab receptacles, their ends protrude approx. 12,5 mm from the moulding. The screws are ready to be wired, secured against self-loosening and captive.

This tab connector block can be combined with our plug-in terminal strip 322-SV - the plugs are simply inserted in the sockets and subsequently screwed tight.

The wire protector of the "DS"-version reliably prevents damage to multi-wire flexible conductors by the turning screw. These terminal strips can be screw-mounted on a substrate.

### Part Numbers

No. of poles	322-A-2,8	322-A-2,8-DS	Length	PU
1	11.821.014	31.821.014	8,00	2000
2	12.821.014	32.821.014	18,00	2000
3	13.821.014	33.821.014	28,00	1000
4	14.821.014	34.821.014	38,00	800
5	15.821.014	35.821.014	48,00	500
6	16.821.014	36.821.014	58,00	100
7	17.821.014	37.821.014	68,00	70
8	18.821.014	38.821.014	78,00	70
9	19.821.014	39.821.014	88,00	60
10	20.821.014	40.821.014	98,00	50
11	21.821.014	41.821.014	108,00	50
12	22.821.014	42.821.014	117,00	50

### General Information

Pitch	10 mm
No. of poles	1 - 12
Accessories	322-SV

### Technical Data

Clamping Range	<i>solid / flexible / AWG</i>		
<i>without wire protector</i>	0,5 - 4 mm <sup>2</sup> / 0,5 - 2,5 mm <sup>2</sup> / 20 - 12 AWG		
<i>with wire protector</i>	0,34 - 2,5 mm <sup>2</sup> / 0,34 - 2,5 mm <sup>2</sup> / 22 - 14 AWG		
Rated Cross Section	[1] 2,5 mm <sup>2</sup> ; [2] 1 mm <sup>2</sup>		
Overvoltage Category	III	III	II
Pollution Severity Level	3	2	2
Rated Voltage	400 V	630 V	1000 V
Rated Impulse Voltage	6 kV	6 kV	6 kV
Rated Insulation Voltage	450 V acc. to EN 60998-1		
Rated Current	7,5 A with receptacle 2,8; wire 1 mm <sup>2</sup> (16 AWG)		
Torque	0,5 Nm		

### Material

Moulding	PA, natural, V-2
Comparative Tracking Index	CTI ≥ 600
Insulating Group	I
Temperature Range	-40°C up to 100°C
Terminal Body	Nickel plated brass
Screw	M3; zinc plated steel, blue passivated
Wire protector	Tin plated tin bronze

### Approvals

	Current [A]	Voltage [V]	Group	AWG	[Nm]
	6	300	B,D,E	22 - 10	0,51

### Options / Accessories

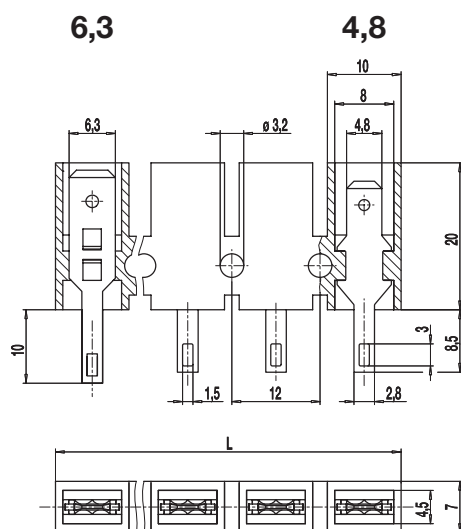
- Marking options on the screw guides
- Marking strips BST-322
- Cover caps A-323 und base plate B-323 for additional contact protection

[1] Screw side

[2] Plug-in side

# 401-LFPA-4,8/-6,3

Tab/solder connector block



The combined tab/solder connector blocks are used primarily as connectors, cable splitter or as a base in electrical appliances and in automotive.

In the -LF version of the Type 401 a solder connection is located on the opposite side of the flat plug. The solder tags protrude approximately 8,5 mm from the housing. On the solder tag a flat plug sleeve B 2.8 x 0.8 can be inserted.

Depending on the application, this type is available with flat connectors 4,8 mm or 6,3 mm width in 1 to 12 pole design.

The insulation on the plug side can be done with our insulating ISO 187 on the tab 4,8 mm and ISO 110 with the solder joints. The tab connectors are suitable for flat plugs according to DIN 46247.

## Part Numbers

No. of poles	401-LFPA-4,8	401-LFPA-6,3	Length	A *	PU
1	11.833.002	31.833.010	11,00		2500
2	12.833.002	32.833.010	23,00		1500
3	13.833.002	33.833.010	35,00	12,00	1000
4	14.833.002	34.833.010	47,00	24,00	800
5	15.833.002	35.833.010	59,00	36,00	200
6	16.833.002	36.833.010	71,00	48,00	250
7	17.833.002	37.833.010	83,00	60,50	250
8	18.833.002	38.833.010	95,00	72,50	250
9	19.833.002	39.833.010	107,00	84,50	200
10	20.833.002	40.833.010	119,00	96,50	150
11	21.833.002	41.833.010	131,00	108,50	150
12	22.833.002	42.833.010	142,00	120,50	150

\* = Distance of the two outermost mounting holes

## General Information

Pitch	12 mm
No. of poles	1 - 12

## Technical Data

Overvoltage Category	III	III	II
Pollution Severity Level	3	2	2
Rated Voltage	400 V	630 V	1000V
Rated Impulse Voltage	6 kV	6 kV	6 kV
Rated Insulation Voltage	450 V acc. to EN 60998-1		
Rated Current	15 A: with receptacle 4,8; wire 2,5 mm <sup>2</sup> (14 AWG) 20 A: with receptacle 6,3; wire 6,0 mm <sup>2</sup> (10 AWG)		
Other specifications	Rated values apply to use in combination with insulated underlay.		

## Material

Moulding	PA, natural, V-2
Comparative Tracking Index	CTI ≥ 600
Insulating Group	I
Temperature Range	-40°C up to 100°C
Tab	Tin plated brass

## Approvals

	Current [A]	Voltage [V]	Group	AWG	[Nm]
	15	300	B	max. 10	[1][2]
	15	300	B	max. 10	[1]
	15	150	C	max. 10	[1]
	10	300	D,E	max. 10	[1]

[1] max. 14 AWG for solder side

[2] max. 16 AWG for solder side

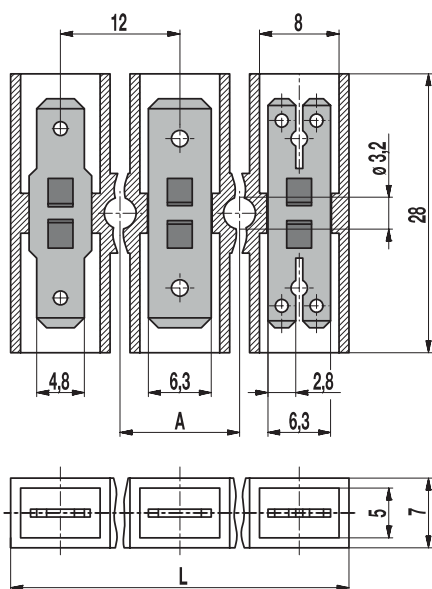
## Options / Accessories

- Consecutive numbering
- Special marking according to drawing
- Insulating sleeves ISO-110 for solder points and ISO-187 for receptacles
- Other tab connector variants available upon request, e.g. for the transition from 4.8 to 6.3



# 401-PA-4,8/-6,3 /-XBS

Tab connector block



Tab connector blocks 401-PA are used mainly as connectors, lead distributors or as electrical interface in equipment and motor vehicles. Depending on the application, these connector blocks are available with B 2,8 (-XBS); 4,8 or 6,3 tab connectors in 1- to 12-pole design.

Upon request, crimping points for 4,8 tabs can be insulated with our ISO insulating sleeves. Tab connectors are suitable for tab receptacles according to DIN 46247.

## Part Numbers

No. of poles	401-PA-4,8	401-PA-6,3	401-PA-XBS	Length	A *	PU
1	11.830.039	31.830.039	71.830.039	12,00		2500
2	12.830.039	32.830.039	72.830.039	24,00		1500
3	13.830.039	33.830.039	73.830.039	36,00	12,00	1000
4	14.830.039	34.830.039	74.830.039	48,00	24,00	1000
5	15.830.039	35.830.039	75.830.039	59,00	36,00	200
6	16.830.039	36.830.039	76.830.039	71,00	48,00	200
7	17.830.039	37.830.039	77.830.039	83,00	60,00	50
8	18.830.039	38.830.039	78.830.039	95,00	72,00	50
9	19.830.039	39.830.039	79.830.039	107,00	84,00	25
10	20.830.039	40.830.039	80.830.039	119,00	96,00	100
11	21.830.039	41.830.039	81.830.039	131,00	108,00	100
12	22.830.039	42.830.039	82.830.039	142,00	120,00	100

\* = Distance of the two outermost mounting holes

## General Information

Pitch	12 mm
No. of poles	1 - 12
Additional Information	After pushing on the tab receptacles, their ends protrude 7 mm from the housing.

## Technical Data

Overvoltage Category	III	III	II
Pollution Severity Level	3	2	2
Rated Voltage	500 V	630 V	1000 V
Rated Impulse Voltage	6 kV	6 kV	6 kV
Rated Insulation Voltage	750 V acc. to EN 60998-1		
Rated Current	7,5 A: with receptacle 2,8; wire 1 mm <sup>2</sup> (16 AWG) 15 A: with receptacle 4,8; wire 2,5 mm <sup>2</sup> (14 AWG) 20 A: with receptacle 6,3; wire 6,0 mm <sup>2</sup> (10 AWG)		
Other specifications	Rated values apply to use in combination with insulated underlay.		

## Material

Moulding	PA, natural, V-2
Comparative Tracking Index	CTI ≥ 600
Insulating Group	I
Temperature Range	-40°C up to 100°C
Tab	Nickel plated brass

## Approvals

	Current [A]	Voltage [V]	Group	AWG	[Nm]
	25 [2]	300	B	max. 10	
	6 [3]	300	B	max. 16	
	15 [4]	300	B	max. 14	
	25 [1] [2]	300	B	max. 10	
	25 [1] [2]	150	C	max. 10	
	10	300	D,E	max. 10	

- [1] 15 A is applicable for 401-PA-4.8 in group B,C
- [2] applies only for receptacle for tabs 6,3
- [3] applies for receptacle for tabs 2,8
- [4] applies for receptacle for tabs 4,8

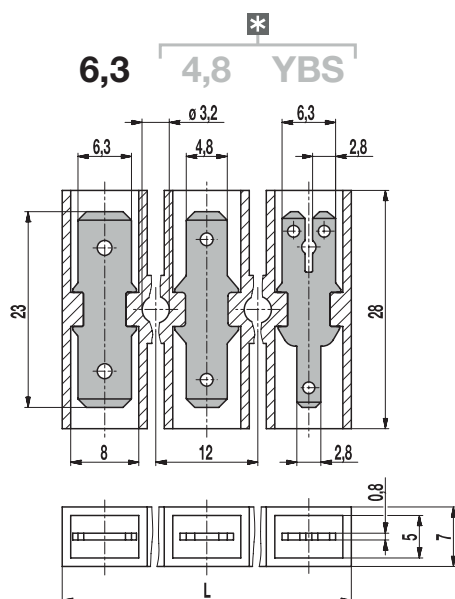
## Options / Accessories

- Consecutive numbering
- Special marking according to drawing
- Insulating sleeves ISO-187 for receptacles
- Other tab connector variants available upon request, e.g. for the transition from 4.8 to 6.3

# 401-PVC-6,3

Tab connector block

Material: PVC



\* = optionally available tab connector types

The standard version of tab connector block 401-PVC comes with tab width 6,3 mm and is available in 1- to 12-pole design. It is used mainly as connector, lead distributor or as electrical interface in equipment and motor vehicles.

Optionally, they are available in tab width 4,8 mm and as "-YBS"-version, i.e. with one single connection on the one side and a double connection 2 x 2,8 mm or 1 x 6,3 mm on the opposite side.

Crimped points can be insulated with our ISO insulation sleeves.

These tab connectors are suitable for tab receptacles according to DIN 46247.

## Part Numbers

No. of poles	401-PVC-6,3	Length	A *	PU
1	31.830.002	12,00		2500
2	32.830.002	24,00		1500
3	33.830.002	36,00	12,00	1000
4	34.830.002	48,00	24,00	1000
5	35.830.002	59,00	36,00	200
6	36.830.002	71,00	48,00	200
7	37.830.002	83,00	60,00	50
8	38.830.002	95,00	72,00	50
9	39.830.002	107,00	84,00	25
10	40.830.002	119,00	96,00	100
11	41.830.002	131,00	108,00	100
12	42.830.002	142,00	120,00	100

\* = Distance of the two outermost mounting holes

## General Information

Pitch	12 mm
No. of poles	1 - 12
Additional Information	After pushing on the tab receptacles, their ends protrude 7 mm from the housing.

## Technical Data

Overvoltage Category	III	III	II
Pollution Severity Level	3	2	2
Rated Voltage	500 V	630 V	1000 V
Rated Impulse Voltage	6 kV	6 kV	6 kV
Rated Insulation Voltage	750 V acc. to EN 60998-1		
Rated Current	7,5 A: with receptacle 2,8; wire 1 mm <sup>2</sup> (16 AWG) 15 A: with receptacle 4,8; wire 2,5 mm <sup>2</sup> (14 AWG) 20 A: with receptacle 6,3; wire 6,0 mm <sup>2</sup> (10 AWG)		
Other specifications	Rated values apply to use in combination with insulated underlay.		

## Material

Moulding	Soft PVC, transparent, V-2
Comparative Tracking Index	CTI 400
Insulating Group	II
Temperature Range	-10°C up to 70°C
Tab	Nickel plated brass

## Approvals

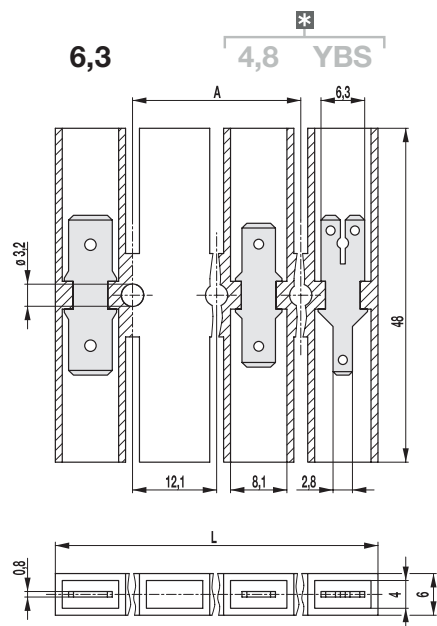
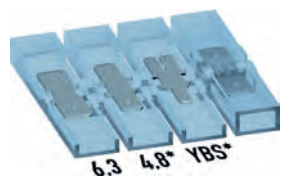
	Current [A]	Voltage [V]	Group	AWG	[Nm]
	25	300	B	max. 10	

## Options / Accessories

- Consecutive numbering
- Special marking according to drawing
- Flat connector type -4,8
- Flat connector type -YBS
- Other tab connector variants available upon request, e.g. for the transition from 4.8 to 6.3

# 404-6,3

Tab connector block



\* = optionally available tab connector types

The tab connector 404 with the pitch of 12,1 mm is mainly used as connector, terminal or as a electrical distribution in electrical equipment and motor vehicle construction.

In the standard version, these tab connector is available with 6,3 mm tabs and with two-sided push-on termination. The tabs are suitable for receptacle for tabs according to DIN 46 247.

Deferred receptacles are fully covered by the wide housing insulation. This allows stacking the connector without the need for an intermediate insulating layer. The connector is similar to DIN 72 586-C50.

## Part Numbers

No. of poles	404-6,3	Length	A *	PU
1	31.830.008	12,00		1500
2	32.830.008	24,00		1000
3	33.830.008	36,00	12,10	250
4	34.830.008	48,00	24,20	200
5	35.830.008	60,00	36,30	200
6	36.830.008	72,00	48,40	150
7	37.830.008	84,00	60,50	100
8	38.830.008	96,00	72,60	100
9	39.830.008	108,00	84,70	100
10	40.830.008	120,00	96,80	100
11	41.830.008	132,00	108,90	70
12	42.830.008	144,00	121,00	70

\* = Distance of the two outermost mounting holes

## General Information

Pitch	12,1 mm
No. of poles	1 - 12

## Technical Data

Overvoltage Category	III
Pollution Severity Level	3
Rated Voltage	320 V
Rated Impulse Voltage	4 kV
Rated Insulation Voltage	450 V acc. to EN 60998-1
Rated Current	7,5 A: with receptacle 2,8; wire 1 mm <sup>2</sup> (16 AWG) 15 A: with receptacle 4,8; wire 2,5 mm <sup>2</sup> (14 AWG) 20 A: with receptacle 6,3; wire 6,0 mm <sup>2</sup> (10 AWG)
Other specifications	Rated values apply to use without insulated underlay.

## Material

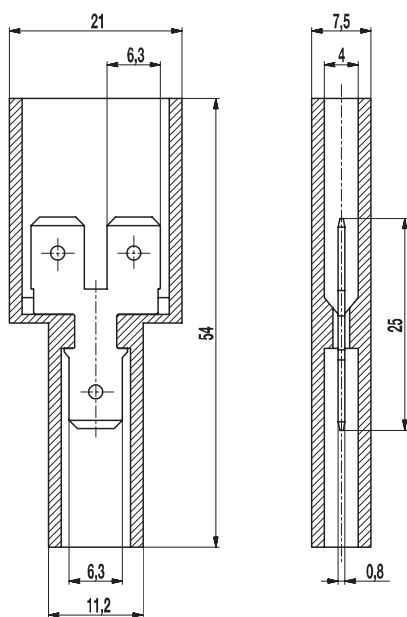
Moulding	Soft PVC, transparent, V-2
Comparative Tracking Index	CTI 400
Insulating Group	II
Temperature Range	-10°C up to 70°C
Tab	Nickel plated brass

## Options / Accessories

- Consecutive numbering
- Special marking according to drawing
- Flat connector types -4,8
- Flat connector types -YBS

# 406

Tab connector  
Lead distributor



Tab connector 406 is only available as 1-pole variant. It features one single connection 6,3 mm on one side and a double connection 2x6,3 mm on the opposite side.

Pushed on tab receptacles 6,3 are completely covered by the housing.

## Part Numbers

No. of poles	406	Length	PU
1	10.836.008	54	250

## General Information

No. of poles 1

## Technical Data

Overvoltage Category	III
Pollution Severity Level	3
Rated Voltage	630 V
Rated Impulse Voltage	6 kV
Rated Insulation Voltage	750 V acc. to EN 60998-1
Rated Current	20 A: with receptacle 6,3; wire 6,0 mm <sup>2</sup> (10 AWG)
Other specifications	Rated values apply to use without insulated underlay

## Material

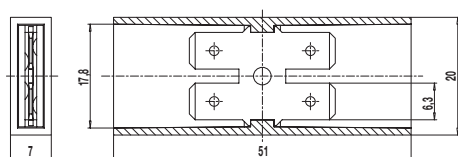
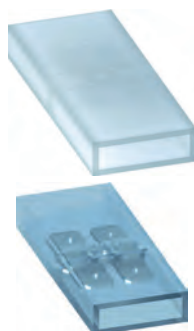
Moulding	Soft PVC, transparent, V-2
Comparative Tracking Index	CTI 400
Insulating Group	II
Temperature Range	-10°C up to 70°C
Tab	Nickel plated brass

## Options / Accessories

- Special marking according to drawing

# 407-PA-PVC

Tab connector



407-PA  
407-PVC

Tab connector 407 is only available as 1-pole variant. It features double connections with 6,3 mm tabs.  
Pushed on tab receptacles 6,3 are completely covered by the housing.

## Part Numbers

No. of poles	407-PA	407-PVC	PU
1	20.830.040	20.830.030	400

## Part numbers: "no flame" acc. to glow-wire test

No. of poles	407-PA	407-PVC	PU
1	20.830.036.EN6		400

## General Information

No. of poles 1

## Technical Data

Overvoltage Category	III
Pollution Severity Level	3
Rated Voltage	500 V
Rated Impulse Voltage	6 kV
Rated Insulation Voltage	750 V acc. to EN 60998-1
Rated Current	20 A: with receptacle 6,3; wire 6,0 mm <sup>2</sup> (10 AWG)
Other specifications	Rated values apply to use without insulate underlay

## Material

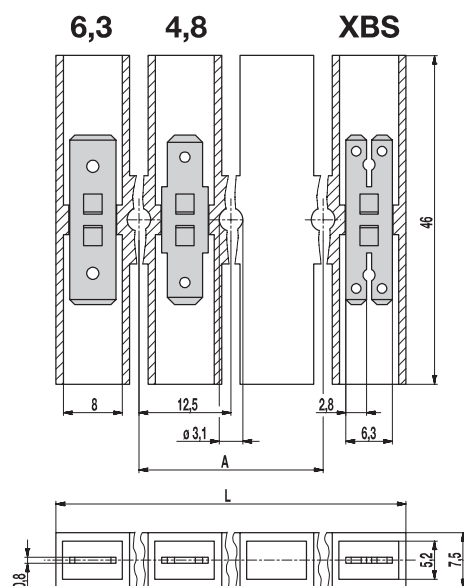
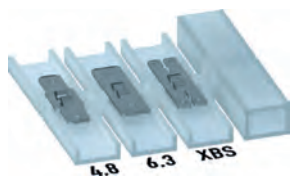
Moulding	PA, natural, V-2 (PA, white, V-0) Details in round brackets for "no flame" products Soft PVC, transparent, V-2
Comparative Tracking Index	PA: CTI ≥ 600; PVC: CTI 400
Insulating Group	PA: I; PVC: II
Temperature Range	PA: -40°C up to 100°C; PVC: -10°C up to 70°C
Tab	Nickel plated brass

## Options / Accessories

- Special marking according to drawing

# 408-46-4,8/-6,3 /-XBS

Tab connector block  
Housing width 46 mm



Tab connector blocks 408-46 with double connectors on both sides are used mainly as connectors, lead distributors or as electrical interface in equipment and motor vehicles. Depending on the application, these connector blocks with a housing width of 46 mm are available for 4,8; 6,3 or XBS-tabs in 1- to 12-pole design.

These tab connectors are suitable for tab receptacles according to DIN 46247. The housing variant requires 2,8 tab receptacles for the insulation of crimp points.

## Part Numbers

No. of poles	408-46-4,8	408-46-6,3	408-46-XBS	Length	A *	PU
1	40.830.221	30.830.221	20.830.221	10,00		2000
2	40.830.222	30.830.222	20.830.222	22,50		1000
3	40.830.223	30.830.223	20.830.223	35,00	12,50	700
4	40.830.224	30.830.224	20.830.224	47,50	25,00	200
5	40.830.225	30.830.225	20.830.225	60,00	37,50	100
6	40.830.226	30.830.226	20.830.226	72,50	50,00	100
7	40.830.227	30.830.227	20.830.227	85,00	62,50	100
8	40.830.228	30.830.228	20.830.228	97,50	75,00	100
9	40.830.229	30.830.229	20.830.229	110,00	87,50	70
10	40.830.230	30.830.230	20.830.230	122,50	100,00	70
11	40.830.231	30.830.231	20.830.231	135,00	112,50	70
12	40.830.232	30.830.232	20.830.232	147,50	125,00	60

\* = Distance of the two outermost mounting holes

## General Information

Pitch	12,5 mm
No. of poles	1 - 12

## Technical Data

Overvoltage Category	III	III	II
Pollution Severity Level	3	2	2
Rated Voltage	320 V	320 V	630 V
Rated Impulse Voltage	4 kV	4 kV	4 kV
Rated Insulation Voltage	450 V acc. to EN 60998-1		
Rated Current	7,5 A: with receptacle 2,8; wire 1 mm <sup>2</sup> (16 AWG) 15 A: with receptacle 4,8; wire 2,5 mm <sup>2</sup> (14 AWG) 20 A: with receptacle 6,3; wire 6,0 mm <sup>2</sup> (10 AWG)		
Other specifications	Rated values apply to use without insulated underlay		

## Material

Moulding	PA, natural, V-2
Comparative Tracking Index	CTI ≥ 600
Insulating Group	I
Temperature Range	-40°C up to 100°C
Tab	Nickel plated brass

## Approvals

	Current [A]	Voltage [V]	Group	AWG	[Nm]
	25	600	B,C	max. 10	[1]
	15	600	B,C	max. 14	[2]
	6	600	B,C	max. 16	[3]
	25	600	B,C	max. 10	[1]

[1] only applicable when used with 6,3 tab receptacles

[2] only applicable when used with 4,8 tab receptacles

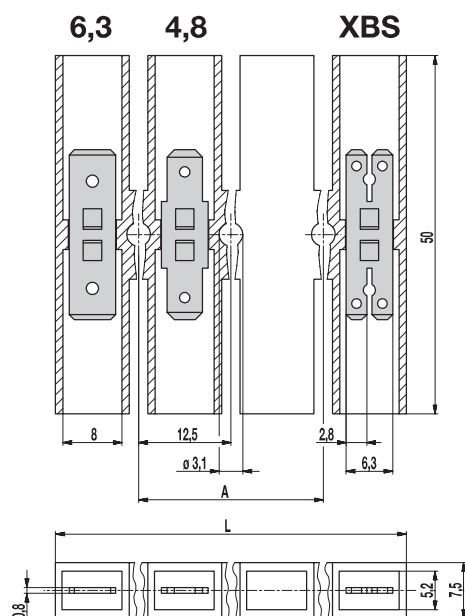
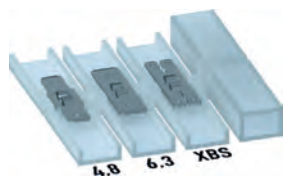
[3] only applicable when used with 2,8 tab receptacles

## Options / Accessories

- Consecutive numbering
- Special marking according to drawing

# 408-50-4,8/-6,3 /-XBS

Tab connector block  
Housing width 50 mm



Tab connector blocks 408-50 with double connectors on both sides are used mainly as connectors, lead distributors or as electrical interface in equipment and motor vehicles. Depending on the application, these connector blocks with a housing width of 50 mm are available for 4,8; 6,3 or XBS-tabs in 1- to 12-pole design.

Except for pitch and total length this variant is compliant with DIN 72586-C50.

These tab connectors are suitable for tab receptacles according to DIN 46247. The crimp points of tab receptacles are completely insulated.

## Part Numbers

No. of poles	408-50-4,8	408-50-6,3	408-50-XBS	Length	A *	PU
1	40.830.201	30.830.201	20.830.201	10,00		2000
2	40.830.202	30.830.202	20.830.202	22,50		1000
3	40.830.203	30.830.203	20.830.203	35,00	12,50	700
4	40.830.204	30.830.204	20.830.204	47,50	25,00	600
5	40.830.205	30.830.205	20.830.205	60,00	37,50	100
6	40.830.206	30.830.206	20.830.206	72,50	50,00	100
7	40.830.207	30.830.207	20.830.207	85,00	62,50	100
8	40.830.208	30.830.208	20.830.208	97,50	75,00	100
9	40.830.209	30.830.209	20.830.209	110,00	87,50	70
10	40.830.210	30.830.210	20.830.210	122,50	100,00	70
11	40.830.211	30.830.211	20.830.211	135,00	112,50	70
12	40.830.212	30.830.212	20.830.212	147,50	125,00	50

\* = Distance of the two outermost mounting holes

## Part Numbers: "no flame" acc. to glow-wire test

No. of poles	408-50-4,8	408-50-6,3	408-50-XBS	Length	A *	PU
1		31.830.201.EN6		10,00		2000

further number of poles on request

## General Information

Pitch	12,5 mm
No. of poles	1 - 12

## Technical Data

Overvoltage Category	III	III	II
Pollution Severity Level	3	2	2
Rated Voltage	500 V	630 V	1000 V
Rated Impulse Voltage	6 kV	6 kV	6 kV
Rated Insulation Voltage	750 V acc. to EN 60998-1		
Rated Current	7,5 A: with receptacle 2,8; wire 1 mm <sup>2</sup> (16 AWG) 15 A: with receptacle 4,8; wire 2,5 mm <sup>2</sup> (14 AWG) 20 A: with receptacle 6,3; wire 6,0 mm <sup>2</sup> (10 AWG)		
Other specifications	Rated values apply to use without insulated underlay		

## Material

Moulding PA, natural, V-2 (PA, white, V-0)  
Details in round brackets apply for "no flame" products

Comparative Tracking Index CTI ≥ 600

Insulating Group I

Temperature Range -40°C up to 100°C

Tab Nickel plated brass

## Approvals

	Current [A]	Voltage [V]	Group	AWG	[Nm]
	25	600	B,C	max. 10	[1]
	15	600	B,C	max. 14	[2]
	6	600	B,C	max. 16	[3]
	25	600	B,C	max. 10	[1]

[1] only applicable when used with 6,3 tab receptacles

[2] only applicable when used with 4,8 tab receptacles

[3] only applicable when used with 2,8 tab receptacles

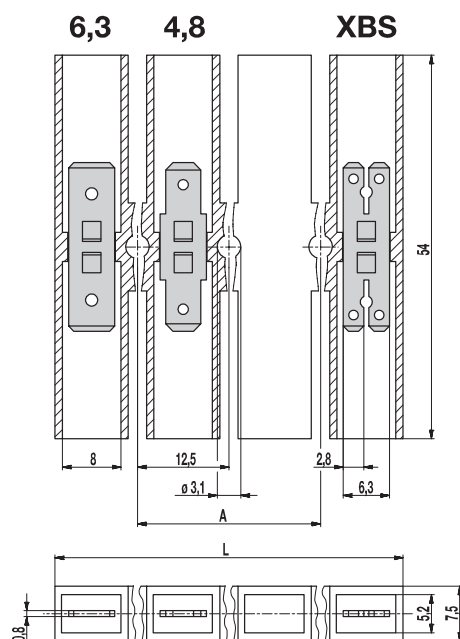
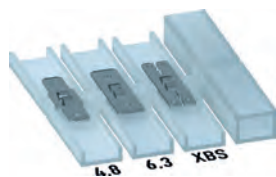
## Options / Accessories

- Consecutive numbering
- Special marking according to drawing



# 408-54-4,8/-6,3 /-XBS

Tab connector block  
Housing width 54 mm



Tab connector blocks 408-54 with double connectors on both sides are used mainly as connectors, lead distributors or as electrical interface in equipment and motor vehicles. Depending on the application, these connector blocks with a housing width of 54 mm are available for 4,8; 6,3 or XBS-tabs in 1- to 12-pole design.

These tab connectors are suitable for tab receptacles according to DIN 46247. The crimp points of tab receptacles are completely insulated.

## Part Numbers

No. of poles	408-54-4,8	408-54-6,3	408-54-XBS	Length	A *	PU
1	40.830.241	30.830.241	20.830.241	10,00		2000
2	40.830.242	30.830.242	20.830.242	22,50		1000
3	40.830.243	30.830.243	20.830.243	35,00	12,50	800
4	40.830.244	30.830.244	20.830.244	47,50	25,00	500
5	40.830.245	30.830.245	20.830.245	60,00	37,50	100
6	40.830.246	30.830.246	20.830.246	72,50	50,00	100
7	40.830.247	30.830.247	20.830.247	85,00	62,50	80
8	40.830.248	30.830.248	20.830.248	97,50	75,00	80
9	40.830.249	30.830.249	20.830.249	110,00	87,50	80
10	40.830.250	30.830.250	20.830.250	122,50	100,00	50
11	40.830.251	30.830.251	20.830.251	135,00	112,50	50
12	40.830.252	30.830.252	20.830.252	147,50	125,00	50

\* = Distance of the two outermost mounting holes

## Part numbers: "no flame" acc. to glow-wire test

No. of poles	408-54-4,8	408-54-6,3	408-54-XBS	Length	A *	PU
1	40.830.261.EN6	30.830.261.EN6	20.830.261.EN6	10,00		2000
2		30.830.262.EN6	20.830.262.EN6	22,50		1000
3		30.830.263.EN6		35,00	12,50	800
12		30.830.272.EN6		147,50	125,00	50

## General Information

Pitch	12,5 mm
No. of poles	1 - 12

## Technical Data

Overvoltage Category	III	III	II
Pollution Severity Level	3	2	2
Rated Voltage	630 V	630 V	1000 V
Rated Impulse Voltage	6 kV	6 kV	6 kV
Rated Insulation Voltage	750 V acc. to EN 60998-1		
Rated Current	7,5 A: with receptacle 2,8; wire 1 mm <sup>2</sup> (16 AWG) 15 A: with receptacle 4,8; wire 2,5 mm <sup>2</sup> (14 AWG) 20 A: with receptacle 6,3; wire 6,0 mm <sup>2</sup> (10 AWG)		
Other specifications	Rated values apply to use without insulated underlay		

## Material

Moulding	PA, natural, V-2 (PA, white, V-0) Details in round brackets apply for "no flame" products
Comparative Tracking Index	CTI ≥ 600
Insulating Group	I
Temperature Range	-40°C up to 100°C
Tab	Nickel plated brass

## Approvals

	Current [A]	Voltage [V]	Group	AWG	[Nm]
	25	600	B,C	max. 10	[1]
	15	600	B,C	max. 14	[2]
	6	600	B,C	max. 16	[3]
	25	600	B,C	max. 10	[1]

[1] only applicable when used with 6,3 tab receptacles

[2] only applicable when used with 4,8 tab receptacles

[3] only applicable when used with 2,8 tab receptacles

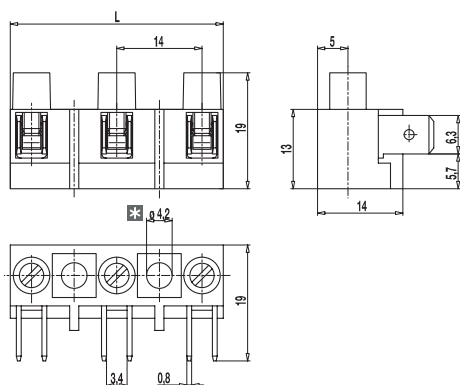
## Options / Accessories

- Consecutive numbering
- Special marking according to drawing

## 42..-CL(-DS)

Tab/screw connector block

Tabs 6,3 mm



\* = Outer hole for 2 and 6 poles:  $\varnothing$  3,6 mm

Tab/screw connector block 42..-CL in 14 mm pitch is a combination of socket terminals and tab connectors. On the tab connector side, it features two 6,3 mm tabs and is available in 2- to 4- and 6-pole design.

The individual poles are continuously numbered according to the number of poles. The wire protector of the "DS"-version reliably prevents damage to multi-wire flexible conductors by the turning screw.

Ordering note:

For the variable placeholder („...“) in the type designation, please enter the corresponding number of poles. Example: 423-CL for a 3-pole variant.

### Part Numbers

No. of poles	42..-CL	42..-CL-DS	Length	PU
2	50.830.414	60.830.414	21,00	200
3	50.830.415	60.830.415	35,00	150
4	50.830.417	60.830.417	49,00	100
6	50.830.411	60.830.411	77,00	100

### General Information

Pitch	14 mm
No. of poles	2, 3, 4, 6
Areas of application	Mains connection of electrical equipment
Additional Information	These components cannot be mounted side-by-side. Multiple connectors can only be mounted side-by-side in 14 mm pitch to ensure clearance and creepage distances are observed.

### Technical Data

Clamping Range	<i>solid / flexible / AWG</i>		
<i>without wire protector</i>	4 mm <sup>2</sup> / - / 12 AWG [1]		
<i>with wire protector</i>	1,5 - 4 mm <sup>2</sup> / 1,5 - 2,5 mm <sup>2</sup> / 16 - 12 AWG		
Rated Cross Section	2,5 mm <sup>2</sup> [2]		
Wire Stripping Length	6 mm $\pm$ 0,5 mm		
Overvoltage Category	III	III	II
Pollution Severity Level	3	2	2
Rated Voltage	400 V	630 V	1000 V
Rated Impulse Voltage	6 kV	6 kV	6 kV
Rated Insulation Voltage	450 V acc. to EN 60998-1		
Rated Current	20 A: with receptacle 6,3; wire 6,0 mm <sup>2</sup> (10 AWG) 24 A: screw side		
Torque	0,5 Nm		

### Material

Moulding	PA, grey, V-0
Comparative Tracking Index	CTI $\geq$ 600
Insulating Group	I
Temperature Range	-40°C up to 100°C
Terminal Body	Nickel plated brass
Tab	Nickel plated brass
Screw	M3; zinc plated steel, blue passivated
Wire protector	Tin plated tin bronze

### Approvals

	Current [A]	Voltage [V]	Group	AWG	[Nm]
	20	300	B	14 - 12	0,51 [3][4]
	20	150	C	14 - 12	0,51 [3][4]
	20	300	B	20 - 12	0,51 [3][5]
	10	300	D,E	20 - 12	0,51 [3][5]

### Options / Accessories

- Marking strips BST-422 to -426
- Extended screw guide
- Insulation receptacles ISO

[1] use only solid wires. Small and flexible wires are not possible.

[2] Screw side

[3] quick connector max. 10 AWG

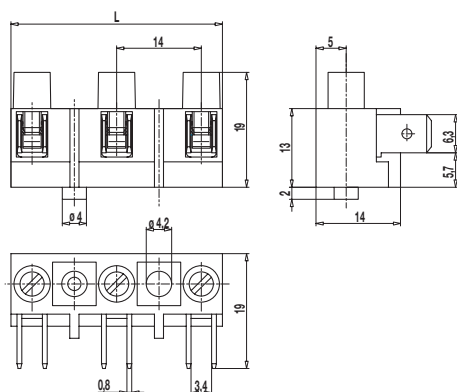
[4] 18 - 12 AWG is applicable for 42...-CL-DS

[5] 22 - 12 AWG is applicable for 42...-CL-DS

## 42..-CZ(-DS)

Tab/screw connector block

Tabs 6,3, with peg



Tab/screw connector block 42..-CZ in 14 mm pitch with projecting peg is a combination of socket terminals and tab connectors. On the tab connector side, it features two 6,3 mm tabs and is available in 3- and 4-pole design. The individual poles are continuously numbered according to the number of poles.

In place of the mounting hole, a projecting peg at the base is located on the left side facing the tabs, enabling to mount the connector to the substrate with only one screw.

The wire protector of the "DS"-version reliably prevents damage to multi-wire flexible conductors by the turning screw.

Ordering note:

For the variable placeholder („...“) in the type designation, please enter the corresponding number of poles. Example: 423-CZ for a 3-pole variant.

### Part Numbers

No. of poles	42..-CZ	42..-CZ-DS	Length	PU
3	50.830.416	60.830.416	35,00	150
4	50.830.418	60.830.418	49,00	100

### General Information

Pitch	14 mm
No. of poles	3 + 4
Areas of application	Mains connection of electrical equipment
Additional Information	These components cannot be mounted side-by-side. Multiple connectors can only be mounted side-by-side in 14 mm pitch to ensure clearance and creepage distances are observed.

### Technical Data

Clamping Range	<i>solid / flexible / AWG</i>		
<i>without wire protector</i>	4 mm <sup>2</sup> / - / 12 AWG [1]		
<i>with wire protector</i>	1,5 - 4 mm <sup>2</sup> / 1,5 - 2,5 mm <sup>2</sup> / 16 - 12 AWG		
Rated Cross Section	2,5 mm <sup>2</sup> [2]		
Wire Stripping Length	6 mm ± 0,5 mm		
Overvoltage Category	III	III	II
Pollution Severity Level	3	2	2
Rated Voltage	400 V	630 V	1000 V
Rated Impulse Voltage	6 kV	6 kV	6 kV
Rated Insulation Voltage	450 V acc. to EN 60998-1		
Rated Current	20 A: with receptacle 6,3; wire 6,0 mm <sup>2</sup> (10 AWG) 24 A: screw side		
Torque	0,5 Nm		

### Material

Moulding	PA, grey, V-0
Comparative Tracking Index	CTI ≥ 600
Insulating Group	I
Temperature Range	-40°C up to 100°C
Terminal Body	Nickel plated brass
Tab	Nickel plated brass
Screw	M3; zinc plated steel, blue passivated
Wire protector	Tin plated tin bronze

### Approvals

	Current [A]	Voltage [V]	Group	AWG	[Nm]
	20	300	B	14 - 12	0,51 [3][4]
	20	150	C	14 - 12	0,51 [3][4]
	20	300	B	20 - 12	0,51 [3][5]
	10	300	D,E	20 - 12	0,51 [3][5]

### Options / Accessories

- Marking strips BST-422 to -426
- Extended screw guide
- Insulation receptacles ISO

[1] use only solid wires. Small and flexible wires are not possible

[2] Screw side

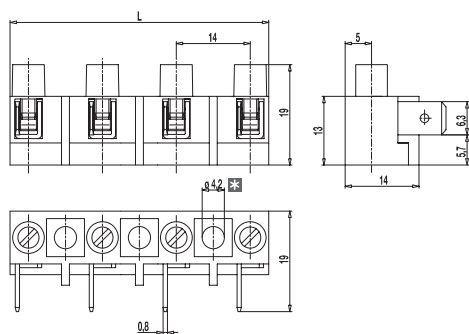
[3] quick connector max. 10 AWG

[4] 18 - 12 AWG is applicable for 42...-CZ-DS

[5] 22 - 12 AWG is applicable for 42...-CZ-DS

## 42..-DL(-DS)

Tab/screw connector block  
single-sided tab 6,3 mm



\* = Outer hole for 2 and 6 poles:  $\varnothing$  3,6 mm

Tab/screw connector block 42..-DL in 14 mm pitch is a combination of socket terminals and tab connectors. On the tab connector side, it features two 6,3 mm tabs and is available in 2- to 4- and 6-pole design.

The individual poles are continuously numbered according to the number of poles. The wire protector of the "DS"-version reliably prevents damage to multi-wire flexible conductors by the turning screw.

Ordering note:

For the variable placeholder („..“) in the type designation, please enter the corresponding number of poles. Example: 423-DL for a 3-pole variant.

### Part Numbers

No. of poles	42..-DL	42..-DL-DS	Length	PU
2	11.830.414	71.830.414	21,00	200
3	11.830.415	71.830.415	35,00	150
4	11.830.417	71.830.417	49,00	100
6	11.830.411	71.830.411	77,00	100

### General Information

Pitch	14 mm
No. of poles	2, 3, 4, 6
Areas of application	Mains connection of electrical equipment
Additional Information	These components cannot be mounted side-by-side. Multiple connectors can only be mounted side-by-side in 14 mm pitch to ensure clearance and creepage distances are observed.

### Technical Data

Clamping Range	<i>solid / flexible / AWG</i>		
<i>without wire protector</i>	4 mm <sup>2</sup> / - / 12 AWG [1]		
<i>with wire protector</i>	1,5 - 4 mm <sup>2</sup> / 1,5 - 2,5 mm <sup>2</sup> / 16 - 12 AWG		
Rated Cross Section	2,5 mm <sup>2</sup> [2]		
Wire Stripping Length	6 mm $\pm$ 0,5 mm		
Overvoltage Category	III	III	II
Pollution Severity Level	3	2	2
Rated Voltage	400 V	630 V	1000 V
Rated Impulse Voltage	6 kV	6 kV	6 kV
Rated Insulation Voltage	450 V acc. to EN 60998-1		
Rated Current	20 A: with receptacle 6,3; wire 6,0 mm <sup>2</sup> (10 AWG) 24 A: screw side		
Torque	0,5 Nm		

### Material

Moulding	PA, grey, V-0
Comparative Tracking Index	CTI $\geq$ 600
Insulating Group	I
Temperature Range	-40°C up to 100°C
Terminal Body	Nickel plated brass
Tab	Nickel plated brass
Screw	M3; zinc plated steel, blue passivated
Wire protector	Tin plated tin bronze

### Approvals

	Current [A]	Voltage [V]	Group	AWG	[Nm]
	20	300	B	14 - 12	0,51 [3][4]
	20	150	C	14 - 12	0,51 [3][4]
	20	300	B	20 - 12	0,51 [3][5]
	10	300	D,E	20 - 12	0,51 [3][5]

### Options / Accessories

- Marking strips BST-422 to -426
- Extended screw guide
- Insulation receptacles ISO

[1] use only solid wires. Small and flexible wires are not possible

[2] Screw side

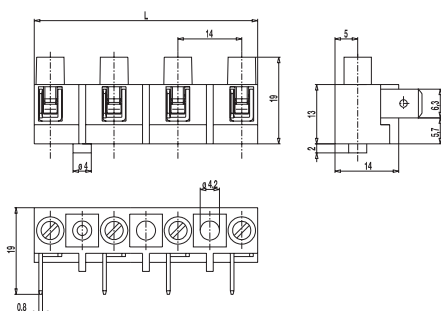
[3] quick connector max. 10 AWG

[4] 18 - 12 AWG is applicable for 42...-DL-DS

[5] 22 - 12 AWG is applicable for 42...-DL-DS

## 42...-DZ(-DS)

Tab/screw connector block  
single-sided tab 6,3 mm, with peg



Tab/screw connector block 42...-DZ in 14 mm pitch with projecting peg is a combination of socket terminals and tab connectors. On the tab connector side, it features one 6,3 mm tab per pole and is available in 3- and 4-pole design. The individual poles are continuously numbered according to the number of poles.

In place of the mounting hole, a projecting peg at the base is located on the left side facing the tabs, enabling to mount the connector to the substrate with only one screw.

The wire protector of the "DS"-version reliably prevents damage to multi-wire flexible conductors by the turning screw.

Ordering note:

For the variable placeholder („...“) in the type designation, please enter the corresponding number of poles. Example: 423-DZ for a 3-pole variant.

### Part Numbers

No. of poles	42...-DZ	42...-DZ-DS	Length	PU
3	11.830.416	71.830.416	35,00	150
4	11.830.418	71.830.418	49,00	100

### General Information

Pitch	14 mm
No. of poles	3 + 4
Areas of application	Mains connection of electrical equipment
Additional Information	These components cannot be mounted side-by-side. Multiple connectors can only be mounted side-by-side in 14 mm pitch to ensure clearance and creepage distances are observed.

### Technical Data

Clamping Range	<i>solid / flexible / AWG</i>		
<i>without wire protector</i>	4 mm <sup>2</sup> / - / 12 AWG [1]		
<i>with wire protector</i>	1,5 - 4 mm <sup>2</sup> / 1,5 - 2,5 mm <sup>2</sup> / 16 - 12 AWG		
Rated Cross Section	2,5 mm <sup>2</sup> [2]		
Wire Stripping Length	6 mm ± 0,5 mm		
Overvoltage Category	III	III	II
Pollution Severity Level	3	2	2
Rated Voltage	400 V	630 V	1000 V
Rated Impulse Voltage	6 kV	6 kV	6 kV
Rated Insulation Voltage	450 V acc. to EN 60998-1		
Rated Current	20 A: with receptacle 6,3; wire 6,0 mm <sup>2</sup> (10 AWG) 24 A: screw side		
Torque	0,5 Nm		

### Material

Moulding	PA, grey, V-0
Comparative Tracking Index	CTI ≥ 600
Insulating Group	I
Temperature Range	-40°C up to 100°C
Terminal Body	Nickel plated brass
Tab	Nickel plated brass
Screw	M3; zinc plated steel, blue passivated
Wire protector	Tin plated tin bronze

### Approvals

	Current [A]	Voltage [V]	Group	AWG	[Nm]
	20	300	B	14 - 12	0,51 [3][4]
	20	150	C	14 - 12	0,51 [3][4]
	20	300	B	20 - 12	0,51 [3][5]
	10	300	D,E	20 - 12	0,51 [3][5]

### Options / Accessories

- Marking strips BST-422 to -426
- Extended screw guide
- Insulation receptacles ISO

[1] use only solid wires. Small and flexible wires are not possible

[2] Screw side

[3] quick connector max. 10 AWG

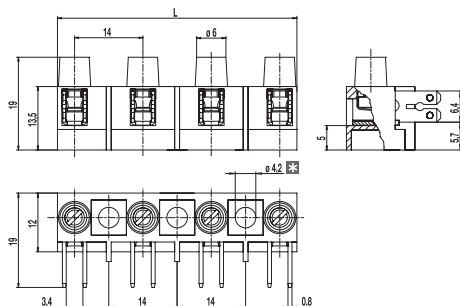
[4] 18 - 12 AWG is applicable for 42...-DZ-DS

[5] 22 - 12 AWG is applicable for 42...-DZ-DS

## 42...-EL(-DS)

Tab/screw connector block

Tab 2x2,8 / 1x6,3



\* = Outer hole for 2 and 6 poles:  $\varnothing$  3,6 mm

Tab/screw connector block 42...-EL in 14 mm pitch is a combination of socket terminals and tab connectors. On the tab connector side, it features two B 2,8 mm tabs per pole and is available in 2- to 4- and 6-pole design.

The individual poles are continuously numbered according to the number of poles. The wire protector of the "DS"-version reliably prevents damage to multi-wire flexible conductors by the turning screw.

Ordering note:

For the variable placeholder („...“) in the type designation, please enter the corresponding number of poles. Example: 423-EL for a 3-pole variant.

### Part Numbers

No. of poles	42...-EL	42...-EL-DS	Length	PU
2	80.830.414	81.830.414	21,00	200
3	80.830.415	81.830.415	35,00	150
4	80.830.417	81.830.417	49,00	100
6	80.830.411	81.830.411	77,00	100

### General Information

Pitch	14 mm
No. of poles	2, 3, 4, 6
Areas of application	Mains connection of electrical equipment
Additional Information	These components cannot be mounted side-by-side. Multiple connectors can only be mounted side-by-side in 14 mm pitch to ensure clearance and creepage distances are observed.

### Technical Data

Clamping Range	<i>solid / flexible / AWG</i>		
<i>without wire protector</i>	4 mm <sup>2</sup> / - / 12 AWG [1]		
<i>with wire protector</i>	1,5 - 4 mm <sup>2</sup> / 1,5 - 2,5 mm <sup>2</sup> / 16 - 12 AWG		
Rated Cross Section	2,5 mm <sup>2</sup> [2]		
Wire Stripping Length	6 mm $\pm$ 0,5 mm		
Overvoltage Category	III	III	II
Pollution Severity Level	3	2	2
Rated Voltage	400 V	630 V	1000 V
Rated Impulse Voltage	6 kV	6 kV	6 kV
Rated Insulation Voltage	450 V acc. to EN 60998-1		
Rated Current	7,5 A: with receptacle 2,8; wire 1,0 mm <sup>2</sup> (16 AWG) 20 A: with receptacle 6,3; wire 6,0 mm <sup>2</sup> (10 AWG) 24 A: screw side		
Torque	0,5 Nm		

### Material

Moulding	PA, grey, V-0
Comparative Tracking Index	CTI $\geq$ 600
Insulating Group	I
Temperature Range	-40°C up to 100°C
Terminal Body	Nickel plated brass
Tab	Nickel plated brass
Screw	M3; zinc plated steel, blue passivated
Wire protector	Tin plated tin bronze

### Approvals

	Current [A]	Voltage [V]	Group	AWG	[Nm]
	20	300	B	14 - 12	0,51 [3][4]
	20	150	C	14 - 12	0,51 [3][4]
	20	300	B	20 - 12	0,51 [3][5]
	10	300	D,E	20 - 12	0,51 [3][5]

### Options / Accessories

- Marking strips BST-422 to -426
- Extended screw guide
- Insulation receptacles ISO

[1] use only solid wires. Small and flexible wires are not possible

[2] Screw side

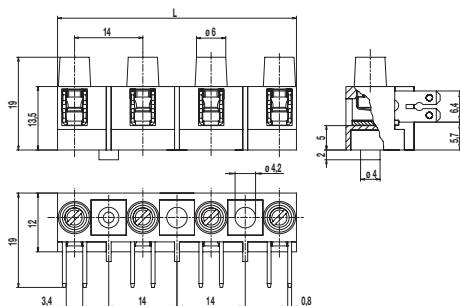
[3] quick connector max. 10 AWG

[4] 18 - 12 AWG is applicable for 42...-EL-DS

[5] 22 - 12 AWG is applicable for 42...-EL-DS

## 42..-EZ(-DS)

Tab/screw connector block  
Tab 2x2,8 / 1x6,3, with peg



Tab/screw connector block 42..-EZ in 14 mm pitch with projecting peg is a combination of socket terminals and tab connectors. On the tab connector side, it features two 6,3 mm tabs and is available in 3- and 4-pole design. The individual poles are continuously numbered according to the number of poles.

In place of the mounting hole, a projecting peg at the base is located on the left side facing the tabs, enabling to mount the connector to the substrate with only one screw.

The wire protector of the "DS"-version reliably prevents damage to multi-wire flexible conductors by the turning screw.

Ordering note:

For the variable placeholder („...“) in the type designation, please enter the corresponding number of poles. Example: 423-EZ for a 3-pole variant.

### Part Numbers

No. of poles	42..-EZ	42..-EZ-DS	Length	PU
3	80.830.416	81.830.416	35,00	150
4	80.830.418	81.830.418	49,00	100

### General Information

Pitch	14 mm
No. of poles	3 + 4
Areas of application	Mains connection of electrical equipment
Additional Information	These components cannot be mounted side-by-side. Multiple connectors can only be mounted side-by-side in 14 mm pitch to ensure clearance and creepage distances are observed.

### Technical Data

Clamping Range	<i>solid / flexible / AWG</i>		
<i>without wire protector</i>	4 mm <sup>2</sup> / - / 12 AWG [1]		
<i>with wire protector</i>	1,5 - 4 mm <sup>2</sup> / 1,5 - 2,5 mm <sup>2</sup> / 16 - 12 AWG		
Rated Cross Section	2,5 mm <sup>2</sup> [2]		
Wire Stripping Length	6 mm ± 0,5 mm		
Overvoltage Category	III	III	II
Pollution Severity Level	3	2	2
Rated Voltage	400 V	630 V	1000 V
Rated Impulse Voltage	6 kV	6 kV	6 kV
Rated Insulation Voltage	450 V acc. to EN 60998-1		
Rated Current	7,5 A: with receptacle 2,8; wire 1,0 mm <sup>2</sup> (16 AWG) 20 A: with receptacle 6,3; wire 6,0 mm <sup>2</sup> (10 AWG) 24 A: screw side		
Torque	0,5 Nm		

### Material

Moulding	PA, grey, V-0
Comparative Tracking Index	CTI ≥ 600
Insulating Group	1
Temperature Range	-40°C up to 100°C
Terminal Body	Nickel plated brass
Tab	Nickel plated brass
Screw	M3; zinc plated steel, blue passivated
Wire protector	Tin plated tin bronze

### Approvals

	Current [A]	Voltage [V]	Group	AWG	[Nm]
	20	300	B	14 - 12	0,51 [3][4]
	20	150	C	14 - 12	0,51 [3][4]
	20	300	B	20 - 12	0,51 [3][5]
	10	300	D,E	20 - 12	0,51 [3][5]

### Options / Accessories

- Marking strips BST-422 to -426
- Extended screw guide
- Insulation receptacles ISO

[1] use only solid wires. Small and flexible wires are not possible

[2] Screw side

[3] quick connector max. 10 AWG

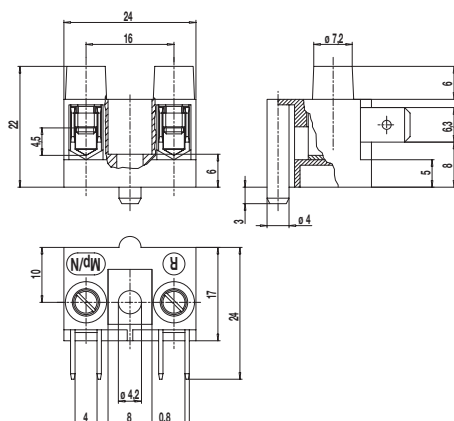
[4] 18 - 12 AWG is applicable for 42...-EZ-DS

[5] 22 - 12 AWG is applicable for 42...-EZ-DS



## 432-ZA(-DS)

Tab/screw connector block  
with peg, with marking "R Mp/N"



Tab/screw connector block 432-ZA is available in 2-pole design. It is equipped with a one-piece metal part on mains and equipment side avoiding contact resistance inside the connector.

The wire protector of the "DS"-version reliably prevents damage to multi-wire flexible conductors by the turning screw.

This type features the additional permanent marking:  
„R Mp/N“

### Part Numbers

No. of poles	432-ZA	432-ZA-DS	Length	PU
2	50.830.432	60.830.432	24,00	200

### General Information

Pitch	16 mm
No. of poles	2
Additional Information	These components cannot be mounted side-by-side. Multiple connectors can only be mounted side-by-side in 16 mm pitch to ensure clearance and creepage distances are observed.

### Technical Data

Clamping Range	<i>solid / flexible / AWG</i>		
<i>without wire protector</i>	1,5 - 6 mm <sup>2</sup> / - / 16 - 10 AWG [1]		
<i>with wire protector</i>	1,5 - 6 mm <sup>2</sup> / 1,5 - 6 mm <sup>2</sup> / 16 - 10 AWG		
Rated Cross Section	4 mm <sup>2</sup> [2]		
Wire Stripping Length	7 mm ± 0,5 mm		
Overvoltage Category	III	III	II
Pollution Severity Level	3	2	2
Rated Voltage	500 V	630 V	1000 V
Rated Impulse Voltage	6 kV	6 kV	6 kV
Rated Insulation Voltage	750 V acc. to EN 60998-1		
Rated Current	20 A: with receptacle 6,3; wire 6,0 mm <sup>2</sup> (10 AWG) 32 A: screw side		
Torque	0,5 Nm		

### Material

Moulding	PA, grey, V-0
Comparative Tracking Index	CTI ≥ 600
Insulating Group	I
Temperature Range	-40°C up to 100°C
Terminal Body	Nickel plated brass
Tab	Nickel plated brass
Screw	M3,5; zinc plated steel, blue passivated
Wire protector	tin bronze, blank

### Approvals

	Current [A]	Voltage [V]	Group	AWG	[Nm]
	25	300	B	18-10 [3]	0,51
	25	150	C	18-10 [3]	0,51
	25	300	B	22-12 [3]	0,51
	10	300	D,E	22-12 [3]	0,51

### Options / Accessories

- Different pole markings on housing
- Extended screw guide
- Insulation receptacles ISO

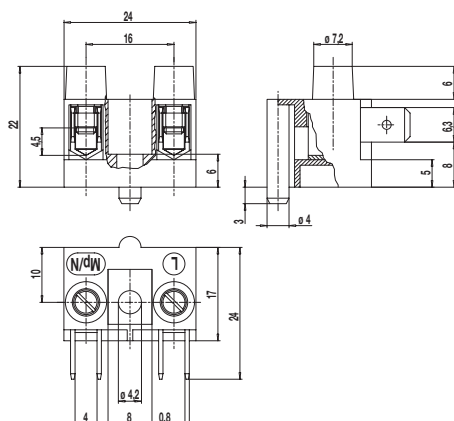
[1] use only solid wires

[2] Screw side

[3] quick connector max. 10 AWG

## 432-ZB(-DS)

Tab/screw connector block  
with peg, with marking "L Mp/N"



Tab/screw connector block 432-ZB is available in 2-pole design. It is equipped with a one-piece metal part on mains and equipment side avoiding contact resistance inside the connector.

The wire protector of the "DS"-version reliably prevents damage to multi-wire flexible conductors by the turning screw.

This type features the additional permanent marking:  
„L Mp/N“

### Part Numbers

No. of poles	432-ZB	432-ZB-DS	Length	PU
2	50.830.442	60.830.442	24,00	200

### General Information

Pitch	16 mm
No. of poles	2
Additional Information	These components cannot be mounted side-by-side. Multiple connectors can only be mounted side-by-side in 16 mm pitch to ensure clearance and creepage distances are observed.

### Technical Data

Clamping Range	<i>solid / flexible / AWG</i>		
<i>without wire protector</i>	1,5 - 6 mm <sup>2</sup> / - / 16 - 10 AWG [1]		
<i>with wire protector</i>	1,5 - 6 mm <sup>2</sup> / 1,5 - 6 mm <sup>2</sup> / 16 - 10 AWG		
Rated Cross Section	4 mm <sup>2</sup> [2]		
Wire Stripping Length	7 mm ± 0,5 mm		
Overvoltage Category	III	III	II
Pollution Severity Level	3	2	2
Rated Voltage	500 V	630 V	1000 V
Rated Impulse Voltage	6 kV	6 kV	6 kV
Rated Insulation Voltage	750 V acc. to EN 60998-1		
Rated Current	20 A: with receptacle for tabs 6,3; wire 6,0 mm <sup>2</sup> (10 AWG) 32 A: screw side		
Torque	0,5 Nm		

### Material

Moulding	PA, grey, V-0
Comparative Tracking Index	CTI ≥ 600
Insulating Group	I
Temperature Range	-40°C up to 100°C
Terminal Body	Nickel plated brass
Tab	Nickel plated brass
Screw	M3,5; zinc plated steel, blue passivated
Wire protector	tin bronze, blank

### Approvals

	Current [A]	Voltage [V]	Group	AWG	[Nm]
	25	300	B	18-10 [3]	0,51
	25	150	C	18-10 [3]	0,51
	25	300	B	22-12 [3]	0,51
	10	300	D,E	22-12 [3]	0,51

### Options / Accessories

- Different pole markings on housing
- Extended screw guide
- Insulation receptacles ISO

[1] use only solid wires

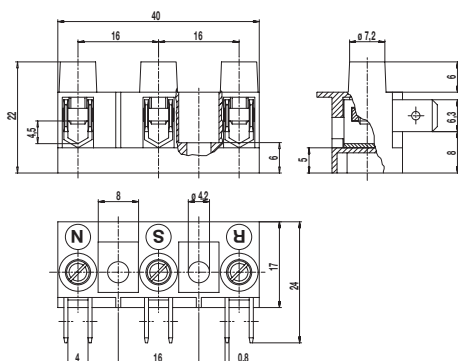
[2] Screw side

[3] quick connector max. 10 AWG

## 433-LA(-DS)

Tab/screw connector block

Tab 6,3 mm, with marking "R S N"



Tab/screw connector block 433-LA is available in 3-pole design. It is equipped with a one-piece metal part on mains and equipment side avoiding contact resistance inside the connector.

Thanks to mounting holes between the poles and with a only one screw, this connector can be mounted twist-proof on an appropriately prepared substrate.

The wire protector of the "DS"-version reliably prevents damage to multi-wire flexible conductors by the turning screw.

This type features the additional permanent marking:  
„R S N“

### Part Numbers

No. of poles	433-LA	433-LA-DS	Length	PU
3	50.830.431	60.830.431	40,00	150

### General Information

Pitch	16 mm
No. of poles	3
Additional Information	These components cannot be mounted side-by-side. Multiple connectors can only be mounted side-by-side in 16 mm pitch to ensure clearance and creepage distances are observed.

### Technical Data

Clamping Range	<i>solid / flexible / AWG</i>		
<i>without wire protector</i>	1,5 - 6 mm <sup>2</sup> / - / 16 - 10 AWG [1]		
<i>with wire protector</i>	1,5 - 6 mm <sup>2</sup> / 1,5 - 6 mm <sup>2</sup> / 16 - 10 AWG		
Rated Cross Section	4 mm <sup>2</sup> [2]		
Wire Stripping Length	7 mm ± 0,5 mm		
Overvoltage Category	III	III	II
Pollution Severity Level	3	2	2
Rated Voltage	500 V	630 V	1000 V
Rated Impulse Voltage	6 kV	6 kV	6 kV
Rated Insulation Voltage	750 V acc. to EN 60998-1		
Rated Current	20 A: with receptacle for tabs 6,3; wire 6,0 mm <sup>2</sup> (10 AWG) 32 A: screw side		
Torque	0,5 Nm		

### Material

Moulding	PA, grey, V-0
Comparative Tracking Index	CTI ≥ 600
Insulating Group	I
Temperature Range	-40°C up to 100°C
Terminal Body	Nickel plated brass
Tab	Nickel plated brass
Screw	M3,5; zinc plated steel, blue passivated
Wire protector	Tin plated tin bronze

### Approvals

	Current [A]	Voltage [V]	Group	AWG	[Nm]
	25	300	B	18-10 [3]	0,51
	25	150	C	18-10 [3]	0,51
	25	300	B	22-12 [3]	0,51
	10	300	D,E	22-12 [3]	0,51

### Options / Accessories

- Different pole markings on housing
- Extended screw guide
- Insulation receptacles ISO

[1] use only solid wires

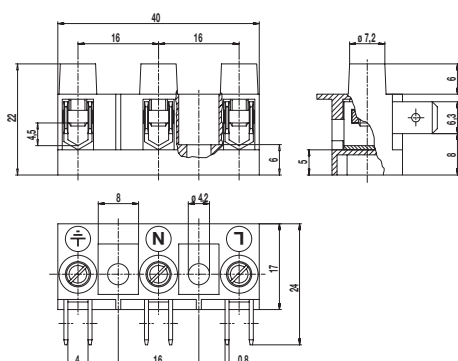
[2] Screw side

[3] quick connector max. 10 AWG

## 433-LB(-DS)

Tab/screw connector block

Tab 6,3 mm, with marking "L N [Earth]"



Tab/screw connector block 433-LA is available in 3-pole design. It is equipped with a one-piece metal part on mains and equipment side avoiding contact resistance inside the connector.

Thanks to mounting holes between the poles and with a only one screw, this connector can be mounted twist-proof on an appropriately prepared substrate.

The wire protector of the "DS"-version reliably prevents damage to multi-wire flexible conductors by the turning screw.

This type features the additional permanent marking:  
„L N [Earth]"

### Part Numbers

No. of poles	433-LB	433-LB-DS	Length	PU
3	50.830.406	60.830.406	40,00	150

### General Information

Pitch	16 mm
No. of poles	3
Additional Information	These components cannot be mounted side-by-side. Multiple connectors can only be mounted side-by-side in 16 mm pitch to ensure clearance and creepage distances are observed.

### Technical Data

Clamping Range	<i>solid / flexible / AWG</i>		
<i>without wire protector</i>	1,5 - 6 mm <sup>2</sup> / - / 16 - 10 AWG [1]		
<i>with wire protector</i>	1,5 - 6 mm <sup>2</sup> / 1,5 - 6 mm <sup>2</sup> / 16 - 10 AWG		
Rated Cross Section	4 mm <sup>2</sup> [2]		
Wire Stripping Length	7 mm ± 0,5 mm		
Overvoltage Category	III	III	II
Pollution Severity Level	3	2	2
Rated Voltage	500 V	630 V	1000 V
Rated Impulse Voltage	6 kV	6 kV	6 kV
Rated Insulation Voltage	750 V acc. to EN 60998-1		
Rated Current	20 A: with receptacle for tabs 6,3; wire 6,0 mm <sup>2</sup> (10 AWG) 32 A: screw side		
Torque	0,5 Nm		

### Material

Moulding	PA, grey, V-0
Comparative Tracking Index	CTI ≥ 600
Insulating Group	I
Temperature Range	-40°C up to 100°C
Terminal Body	Nickel plated brass
Tab	Nickel plated brass
Screw	M3,5; zinc plated steel, blue passivated
Wire protector	Tin plated tin bronze

### Approvals

	Current [A]	Voltage [V]	Group	AWG	[Nm]
	25	300	B	18-10 [3]	0,51
	25	150	C	18-10 [3]	0,51
	25	300	B	22-12 [3]	0,51
	10	300	D,E	22-12 [3]	0,51

### Options / Accessories

- Different pole markings on housing
- Extended screw guide
- Insulation receptacles ISO

[1] use only solid wires

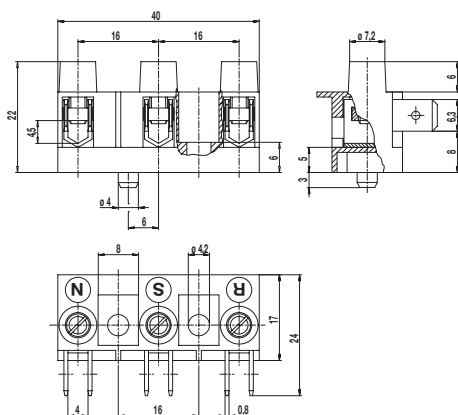
[2] Screw side

[3] quick connector max. 10 AWG

## 433-ZA(-DS)

Tab/screw connector block

Tab 6,3 mm, with peg, with marking "R S N"



Tab/screw connector block 433-ZA is available in 3-pole design. It is equipped with a one-piece metal part on mains and equipment side avoiding contact resistance inside the connector.

Thanks to mounting holes between the poles and a protecting peg, this connector can be mounted twist-proof with a only one screw on an appropriately prepared substrate.

The wire protector of the "DS"-version reliably prevents damage to multi-wire flexible conductors by the turning screw.

This type features the additional permanent marking:  
„R S N“

### Part Numbers

No. of poles	433-ZA	433-ZA-DS	Length	PU
3	50.830.433	60.830.433	40,00	150

### General Information

Pitch	16 mm
No. of poles	3
Additional Information	These components cannot be mounted side-by-side. Multiple connectors can only be mounted side-by-side in 16 mm pitch to ensure clearance and creepage distances are observed.

### Technical Data

Clamping Range	<i>solid / flexible / AWG</i>		
<i>without wire protector</i>	1,5 - 6 mm <sup>2</sup> / - / 16 - 10 AWG [1]		
<i>with wire protector</i>	1,5 - 6 mm <sup>2</sup> / 1,5 - 6 mm <sup>2</sup> / 16 - 10 AWG		
Rated Cross Section	4 mm <sup>2</sup> [2]		
Wire Stripping Length	7 mm ± 0,5 mm		
Overvoltage Category	III	III	II
Pollution Severity Level	3	2	2
Rated Voltage	500 V	630 V	1000 V
Rated Impulse Voltage	6 kV	6 kV	6 kV
Rated Insulation Voltage	750 V acc. to EN 60998-1		
Rated Current	20 A: with receptacle for tabs 6,3; wire 6,0 mm <sup>2</sup> (10 AWG) 32 A: screw side		
Torque	0,5 Nm		

### Material

Moulding	PA, grey, V-0
Comparative Tracking Index	CTI ≥ 600
Insulating Group	I
Temperature Range	-40°C up to 100°C
Terminal Body	Nickel plated brass
Tab	Nickel plated brass
Screw	M3,5; zinc plated steel, blue passivated
Wire protector	Tin plated tin bronze

### Approvals

	Current [A]	Voltage [V]	Group	AWG	[Nm]
	25	300	B	18-10 [3]	0,51
	25	150	C	18-10 [3]	0,51
	25	300	B	22-12 [3]	0,51
	10	300	D,E	22-12 [3]	0,51

### Options / Accessories

- Different pole markings on housing
- Extended screw guide
- Insulation receptacles ISO

[1] use only solid wires

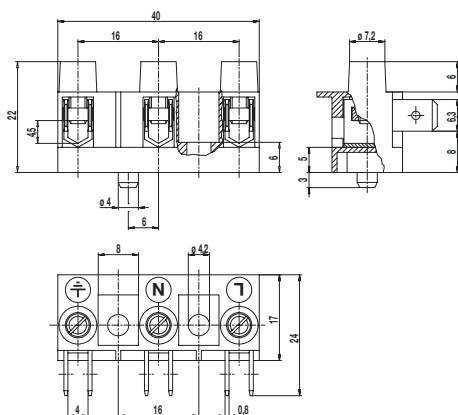
[2] Screw side

[3] quick connector max. 10 AWG

# 433-ZB(-DS)

Tab/screw connector block

Tab 6,3 mm, with peg, with marking "L N [Earth]"



Tab/screw connector block 433-ZB is available in 3-pole design. It is equipped with a one-piece metal part on mains and equipment side avoiding contact resistance inside the connector.

Thanks to mounting holes between the poles and a protecting peg, this connector can be mounted twist-proof with a only one screw on an appropriately prepared substrate.

The wire protector of the "DS"-version reliably prevents damage to multi-wire flexible conductors by the turning screw.

This type features the additional permanent marking: „L N [Earth]"

## Part Numbers

No. of poles	433-ZB	433-ZB-DS	Length	PU
3	50.830.404	60.830.404	40,00	150

## General Information

Pitch	16 mm
No. of poles	3
Additional Information	These components cannot be mounted side-by-side. Multiple connectors can only be mounted side-by-side in 16 mm pitch to ensure clearance and creepage distances are observed.

## Technical Data

Clamping Range	<i>solid / flexible / AWG</i>		
<i>without wire protector</i>	1,5 - 6 mm <sup>2</sup> / - / 16 - 10 AWG [1]		
<i>with wire protector</i>	1,5 - 6 mm <sup>2</sup> / 1,5 - 6 mm <sup>2</sup> / 16 - 10 AWG		
Rated Cross Section	4 mm <sup>2</sup> [2]		
Wire Stripping Length	7 mm ± 0,5 mm		
Overvoltage Category	III	III	II
Pollution Severity Level	3	2	2
Rated Voltage	500 V	630 V	1000 V
Rated Impulse Voltage	6 kV	6 kV	6 kV
Rated Insulation Voltage	750 V acc. to EN 60998-1		
Rated Current	20 A: with receptacle for tabs 6,3; wire 6,0 mm <sup>2</sup> (10 AWG) 32 A: screw side		
Torque	0,5 Nm		

## Material

Moulding	PA, grey, V-0
Comparative Tracking Index	CTI ≥ 600
Insulating Group	I
Temperature Range	-40°C up to 100°C
Terminal Body	Nickel plated brass
Tab	Nickel plated brass
Screw	M3,5; zinc plated steel, blue passivated
Wire protector	Tin plated tin bronze

## Approvals

	Current [A]	Voltage [V]	Group	AWG	[Nm]
	25	300	B	18-10 [3]	0,51
	25	150	C	18-10 [3]	0,51
	25	300	B	22-12 [3]	0,51
	10	300	D,E	22-12 [3]	0,51

## Options / Accessories

- Different pole markings on housing
- Extended screw guide
- Insulation receptacles ISO

[1] use only solid wires

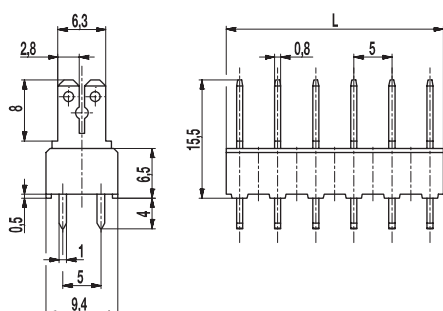
[2] Screw side

[3] quick connector max. 10 AWG

## 900-F-S-5

Tab connector

Tab 2x 2,8 mm / 1x 6,3 mm, with pegs



The tab connector 900-F-S-5 with a pitch of 5 mm is a raised 900-S-5 version and designed for tab receptacles of 1x 2.8 mm or 1x 6.3 mm.

The tab connector housing of series 900-F was raised for this special variant. The enormous variety of different tab connector designs and their mixed mounting increase the versatility of this series. When potting the tab connector moulding, the casting resin can penetrate between the raised feet from below without affecting the blade connection area.

Depending on the respective application, the series 900-F allows to plug in bare, partially or fully insulated tab receptacles according to DIN 46247. Also non-insulated 2.8 mm or 6.3 mm tab receptacles can be plugged on these tab connectors. Insulation receptacles ISO-25 (see also ISO product data sheet) can be used to insulate 2.8 mm or 6.3 mm tab receptacles.

Insulation sockets are available for 6.3 mm tab connectors with double-spring contacts (see also ISO-900 product data sheet).

### Part Numbers

No. of poles	900-F-S-5	Length	PU
8	50.870.708	38,50	100
10	50.870.710	48,50	100

further number of poles on request

### General Information

Pitch	5 mm
No. of poles	2 - 25

### Technical Data

Overvoltage Category	III	III	II
Pollution Severity Level	3	2	2
Rated Voltage	320 V	320 V	630 V
Rated Impulse Voltage	4 kV	4 kV	4 kV
Rated Insulation Voltage	450 V acc. to EN 60998-1		
Rated Current	7,5 A: with receptacles 2,8; wire 1 mm <sup>2</sup> (16 AWG) 15 A: with receptacles 6,3; wire 2,5 mm <sup>2</sup> (14 AWG)		
Hole in PCB	ø 1,6 mm		
Other specifications	Indicated rated voltages refer to applications with insulation receptacles		

### Material

Moulding	PA, grey, V-0
Comparative Tracking Index	CTI ≥ 600
Insulating Group	I
Temperature Range	-40°C up to 100°C
Solder pin	1,0 x 0,8 mm; tin plated brass
Tab	2,8 x 0,8 mm; 6,3 x 0,8 mm; tin plated brass

### Approvals

	Current [A]	Voltage [V]	Group	AWG	[Nm]
	15	150	B		

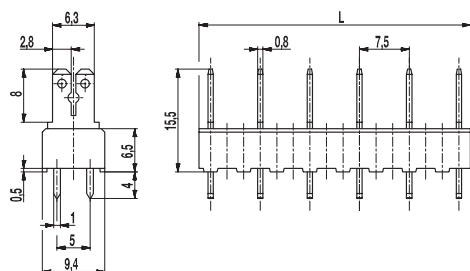
### Options / Accessories

- Consecutive numbering
- Special marking according to drawing
- Self-adhesive marking strip BST-5,00
- Insulation receptacles ISO
- Insulation sockets ISO-900
- Change of pitch
- Component mix of tab connector versions
- Tab connectors are also individually available (see single tabs GST-900)

# 900-F-S-7,5

Tab connector

Tab 2x 2,8 mm / 1x 6,3 mm, with pegs



The tab connector 900-F-S-7,5 with a pitch of 7,5 mm is a raised 900-S-7,5 version and designed for tab receptacles of 1x 2,8 mm or 1x 6,3 mm.

The tab connector housing of series 900-F was raised for this special variant. The enormous variety of different tab connector designs and their mixed mounting increase the versatility of this series. When potting the tab connector moulding, the casting resin can penetrate between the raised feet from below without affecting the blade connection area.

Depending on the respective application, the series 900-F allows to plug in bare, partially or fully insulated tab receptacles according to DIN 46247. Also non-insulated 2,8 mm or 6,3 mm tab receptacles can be plugged on these tab connectors. Insulation receptacles ISO-25 (see also ISO product data sheet) can be used to insulate 2,8 mm or 6,3 mm tab receptacles. Insulation sockets are available for 6,3 mm tab connectors with double-spring contacts (see also ISO-900 product data sheet).

## Part Numbers

No. of poles	900-F-S-7,5	Length	PU
3	75.870.704	18,50	200
5	75.870.707	33,50	100
6	75.870.709	41,00	100
9	75.870.713	63,50	100
10	75.870.715	71,00	100

further number of poles on request

## General Information

Pitch	7,5 mm
No. of poles	2 - 17

## Technical Data

Overvoltage Category	III	III	II
Pollution Severity Level	3	2	2
Rated Voltage	500 V	630 V	1000 V
Rated Impulse Voltage	6 kV	6 kV	6 kV
Rated Insulation Voltage	750 V acc. to EN 60998-1		
Rated Current	7,5 A: with receptacles 2,8; wire 1 mm <sup>2</sup> (16 AWG) 15 A: with receptacles 6,3; wire 2,5 mm <sup>2</sup> (14 AWG)		
Hole in PCB	ø 1,6 mm		
Other specifications	Indicated rated voltages refer to applications with insulation receptacles		

## Material

Moulding	PA, grey, V-0
Comparative Tracking Index	CTI ≥ 600
Insulating Group	I
Temperature Range	-40°C up to 100°C
Solder pin	1,0 x 0,8 mm; tin plated brass
Tab	2,8 x 0,8 mm; 6,3 x 0,8 mm; tin plated brass

## Approvals

	Current [A]	Voltage [V]	Group	AWG	[Nm]
	15	300	B		

## Options / Accessories

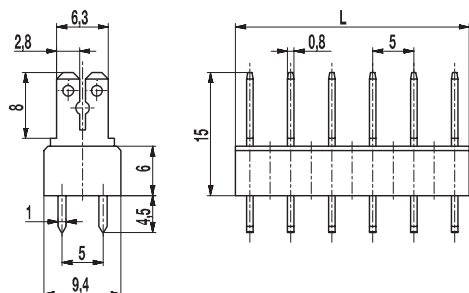
- Consecutive numbering
- Special marking according to drawing
- Self-adhesive marking strip BST-7,50
- Insulation receptacles ISO
- Insulation sockets ISO-900
- Change of pitch
- Component mix of tab connector versions
- Tab connectors are also individually available (see single tabs GST-900)



# 900-S-5

Tab connector

Tab 2x 2,8 mm / 1x 6,3 mm



The tab connector 900-S-5 with double solder termination and a pitch of 5 mm is designed for 1x 2,8 mm or 1x 6,3 mm tab connector receptacles.

Depending on the respective application, the tab connectors of series 900 allow to plug in bare, partially or fully insulated tab receptacles according to DIN 46247. Also non-insulated 2,8 mm or 6,3 mm tab receptacles can be plugged on these tab connectors. Insulation receptacles ISO-25 (see also ISO product data sheet) can be used to insulate 2,8 mm or 6,3 mm tab receptacles.

Insulation sockets are available for 6,3 mm tab connectors with double-spring contacts (see also ISO-900 product data sheet).

## Part Numbers

No. of poles	900-S-5	Length	PU
2	50.870.902	8,50	250
3	50.870.903	13,50	250
4	50.870.904	18,50	200
5	50.870.905	23,50	100
6	50.870.906	28,50	100
7	50.870.907	33,50	100
8	50.870.908	38,50	100
9	50.870.909	43,50	100
10	50.870.910	48,50	100
11	50.870.911	53,50	100
12	50.870.912	58,50	100
13	50.870.913	63,50	100
14	50.870.914	68,50	100
15	50.870.915	73,50	100
16	50.870.916	78,50	100
17	50.870.917	83,50	100
18	50.870.918	88,50	100
19	50.870.919	93,50	100
20	50.870.920	98,50	100
21	50.870.921	103,50	100
22	50.870.922	108,50	100
23	50.870.923	113,50	100
24	50.870.924	118,50	50
25	50.870.925	123,50	50

further number of poles on request

## General Information

Pitch	5 mm
No. of poles	2 - 25

## Technical Data

Overvoltage Category	III	III	II
Pollution Severity Level	3	2	2
Rated Voltage	320 V	320 V	630 V
Rated Impulse Voltage	4 kV	4 kV	4 kV
Rated Insulation Voltage	450 V acc. to EN 60998-1		
Rated Current	7,5 A: with receptacles 2,8; wire 1 mm <sup>2</sup> (16 AWG) 15 A: with receptacles 6,3; wire 2,5 mm <sup>2</sup> (14 AWG)		
Hole in PCB	ø 1,6 mm		
Other specifications	Indicated rated voltages refer to applications with insulation receptacles		

## Material

Moulding	PA, red, V-0
Comparative Tracking Index	CTI ≥ 600
Insulating Group	I
Temperature Range	-40°C up to 100°C
Solder pin	1,0 x 0,8 mm; tin plated brass
Tab	2,8 x 0,8 mm; 6,3 x 0,8 mm; tin plated brass

## Approvals

	Current [A]	Voltage [V]	Group	AWG	[Nm]
	15	150	B		
	15	300	B		
	10	300	D, E		

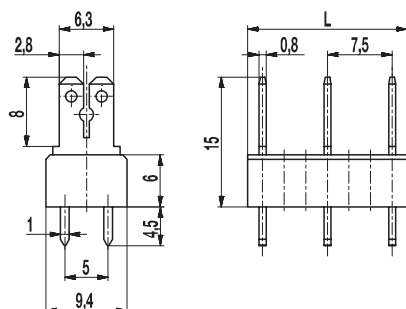
## Options / Accessories

- Consecutive numbering
- Special marking according to drawing
- Self-adhesive marking strip BST-5,00
- Insulation receptacles ISO
- Insulation sockets ISO-900
- Change of pitch
- Component mix of tab connector versions
- Tab connectors are also individually available (see single tabs GST-900)

# 900-S-7,5

Tab connector

Tab 2x 2,8 mm / 1x 6,3 mm



The tab connector 900-S-7,5 with double solder termination and a pitch of 7,5 mm is designed for 1x 2,8 mm or 1x 6,3 mm tab connector receptacles.

Depending on the respective application, the tab connectors of series 900 allow to plug in bare, partially or fully insulated tab receptacles according to DIN 46247. Also non-insulated 2,8 mm or 6,3 mm tab receptacles can be plugged on these tab connectors. Insulation receptacles ISO-25 (see also ISO product data sheet) can be used to insulate 2,8 mm or 6,3 mm tab receptacles.

Insulation sockets are available for 6,3 mm tab connectors with double-spring contacts (see also ISO-900 product data sheet).

## Part Numbers

No. of poles	900-S-7,5	Length	PU
2	75.870.903	11,00	250
3	75.870.904	18,50	200
4	75.870.906	26,00	100
5	75.870.907	33,50	100
6	75.870.909	41,00	100
7	75.870.910	48,50	100
8	75.870.912	56,00	100
9	75.870.913	63,50	100
10	75.870.915	71,00	100
11	75.870.916	78,50	100
12	75.870.918	86,00	100
13	75.870.919	93,50	100
14	75.870.921	101,00	100
15	75.870.922	108,50	100
16	75.870.924	116,00	50
17	75.870.925	123,50	50

## General Information

Pitch	7,5 mm
No. of poles	2 - 17

## Technical Data

Overvoltage Category	III	III	II
Pollution Severity Level	3	2	2
Rated Voltage	500 V	630 V	1000 V
Rated Impulse Voltage	6 kV	6 kV	6 kV
Rated Insulation Voltage	750 V acc. to EN 60998-1		
Rated Current	7,5 A: with receptacles 2,8; wire 1 mm <sup>2</sup> (16 AWG) 15 A: with receptacles 6,3; wire 2,5 mm <sup>2</sup> (14 AWG)		
Hole in PCB	ø 1,6 mm		
Other specifications	Indicated rated voltages refer to applications with insulation receptacles		

## Material

Moulding	PA, red, V-0
Comparative Tracking Index	CTI ≥ 600
Insulating Group	I
Temperature Range	-40°C up to 100°C
Solder pin	1,0 x 0,8 mm; tin plated brass
Tab	2,8 x 0,8 mm; 6,3 x 0,8 mm; tin plated brass

## Approvals

	Current [A]	Voltage [V]	Group	AWG	[Nm]
	15	300	B		
	15	150	C		
	15	300	B		
	10	300	D, E		

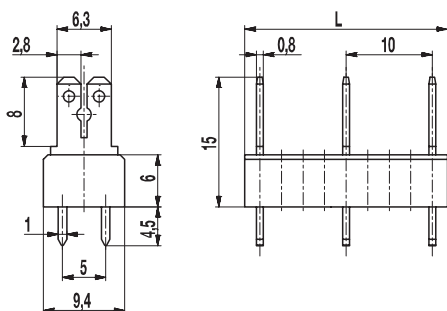
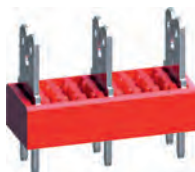
## Options / Accessories

- Consecutive numbering
- Special marking according to drawing
- Self-adhesive marking strip BST-7,50
- Insulation receptacles ISO
- Insulation sockets ISO-900
- Change of pitch
- Component mix of tab connector versions
- Tab connectors are also individually available (see single tabs GST-900)

# 900-S-10

Tab connector

Tab 2x 2,8 mm / 1x 6,3 mm



The tab connector 900-S-10 with double solder termination and a pitch of 10 mm is designed for 1x 2,8 mm or 1x 6,3 mm tab connector receptacles.

Depending on the respective application, the tab connectors of series 900 allow to plug in bare, partially or fully insulated tab receptacles according to DIN 46247. Also non-insulated 2,8 mm or 6,3 mm tab receptacles can be plugged on these tab connectors. Insulation receptacles ISO-25 (see also ISO product data sheet) can be used to insulate 2,8 mm or 6,3 mm tab receptacles.

Insulation sockets are available for 6,3 mm tab connectors with double-spring contacts (see also ISO-900 product data sheet).

## Part Numbers

No. of poles	900-S-10	Length	PU
2	80.870.903	13,50	250
3	80.870.905	23,50	100
4	80.870.907	33,50	100
5	80.870.909	43,50	100
6	80.870.911	53,50	100
7	80.870.913	63,50	100
8	80.870.915	73,50	100
9	80.870.917	83,50	100
10	80.870.919	93,50	100
11	80.870.921	103,50	100
12	80.870.923	113,50	100
13	80.870.925	123,50	50

further number of poles on request

## General Information

Pitch	10 mm
No. of poles	2 - 13

## Technical Data

Overvoltage Category	III	III	II
Pollution Severity Level	3	2	2
Rated Voltage	630 V	630 V	1000 V
Rated Impulse Voltage	6 kV	6 kV	6 kV
Rated Insulation Voltage	750 V acc. to EN 60998-1		
Rated Current	7,5 A: with receptacles 2,8; wire 1 mm <sup>2</sup> (16 AWG) 15 A: with receptacles 6,3; wire 2,5 mm <sup>2</sup> (14 AWG)		
Hole in PCB	ø 1,6 mm		
Other specifications	Indicated rated voltages refer to applications with insulation receptacles		

## Material

Moulding	PA, red, V-0
Comparative Tracking Index	CTI ≥ 600
Insulating Group	I
Temperature Range	-40°C up to 100°C
Solder pin	1,0 x 0,8 mm; tin plated brass
Tab	2,8 x 0,8 mm; 6,3 x 0,8 mm; tin plated brass

## Approvals

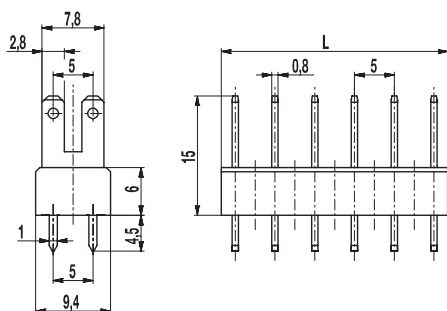
	Current [A]	Voltage [V]	Group	AWG	[Nm]
	15	300	B		
	15	150	C		
	15	300	B		
	10	300	D, E		

## Options / Accessories

- Consecutive numbering
- Special marking according to drawing
- Self-adhesive marking strip BST-10,00
- Insulation receptacles ISO
- Insulation sockets ISO-900
- Change of pitch
- Component mix of tab connector versions
- Tab connectors are also individually available (see single tabs GST-900)

# 900-SH-5

Tab connector  
Tab 2x 2,8 mm



The tab connector 900-SH-5 with double solder termination and a pitch of 5 mm is designed for 2x 2,8 mm tab connector receptacles.

Depending on the respective application, the tab connectors of series 900 allow to plug in bare, partially or fully insulated tab receptacles according to DIN 46247. On tab connectors of this series, two non-insulated 2,8 mm tab receptacles can be plugged in parallel. Insulation receptacles ISO-110 (see also ISO product data sheet) can be used to insulate 2,8 mm tab receptacles.

## Part Numbers

No. of poles	900-SH-5	Length	PU
2	35.870.902	8,50	250
3	35.870.903	13,50	250
4	35.870.904	18,50	200
5	35.870.905	23,50	100
6	35.870.906	28,50	100
7	35.870.907	33,50	100
8	35.870.908	38,50	100
9	35.870.909	43,50	100
10	35.870.910	48,50	100
11	35.870.911	53,50	100
12	35.870.912	58,50	100
13	35.870.913	63,50	100
14	35.870.914	68,50	100
15	35.870.915	73,50	100
16	35.870.916	78,50	100
17	35.870.917	83,50	100
18	35.870.918	88,50	100
19	35.870.919	93,50	100
20	35.870.920	98,50	100
21	35.870.921	103,50	100
22	35.870.922	108,50	100
23	35.870.923	113,50	100
24	35.870.924	118,50	50
25	35.870.925	123,50	50

further number of poles on request

## General Information

Pitch	5 mm
No. of poles	2 - 25

## Technical Data

Overvoltage Category	III	III	II
Pollution Severity Level	3	2	2
Rated Voltage	320 V	320 V	630 V
Rated Impulse Voltage	4 kV	4 kV	4 kV
Rated Insulation Voltage	450 V acc. to EN 60998-1		
Rated Current	7,5 A: with receptacles 2,8; wire 1 mm <sup>2</sup> (16 AWG)		
Hole in PCB	ø 1,6 mm		
Other specifications	Indicated rated voltages refer to applications with insulation receptacles		

## Material

Moulding	PA, red, V-0
Comparative Tracking Index	CTI ≥ 600
Insulating Group	I
Temperature Range	-40°C up to 100°C
Solder pin	1,0 x 0,8 mm; tin plated brass
Tab	2,8 x 0,8 mm; tin plated brass

## Approvals

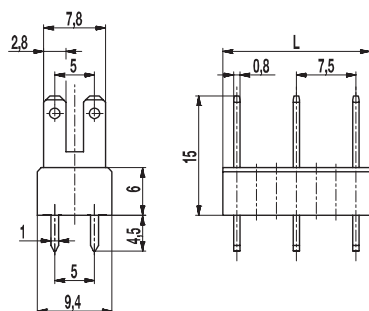
	Current [A]	Voltage [V]	Group	AWG	[Nm]
	15	150	B		
	15	300	B		
	10	300	D, E		

## Options / Accessories

- Consecutive numbering
- Special marking according to drawing
- Self-adhesive marking strip BST-5,00
- Insulation receptacles ISO
- Change of pitch
- Component mix of tab connector versions
- Tab connectors are also individually available (see single tabs GST-900)

# 900-SH-7,5

Tab connector  
Tab 2x 2,8 mm



The tab connector 900-SH-7,5 with double solder termination and a pitch of 7,5 mm is designed for 2x 2,8 mm tab connector receptacles.

Depending on the respective application, the tab connectors of series 900 allow to plug in bare, partially or fully insulated tab receptacles according to DIN 46247. On tab connectors of this series, two non-insulated 2,8 mm tab receptacles can be plugged in parallel. Insulation receptacles ISO-110 (see also ISO product data sheet) can be used to insulate 2,8 mm tab receptacles.

## Part Numbers

No. of poles	900-SH-7,5	Length	PU
2	37.870.903	11,00	250
3	37.870.904	18,50	200
4	37.870.906	26,00	100
5	37.870.907	33,50	100
6	37.870.909	41,00	100
7	37.870.910	48,50	100
8	37.870.912	56,00	100
9	37.870.913	63,50	100
10	37.870.915	71,00	100
11	37.870.916	78,50	100
12	37.870.918	86,00	100
13	37.870.919	93,50	100
14	37.870.921	101,00	100
15	37.870.922	108,50	100
16	37.870.924	116,00	50
17	37.870.925	123,50	50

## General Information

Pitch	7,5 mm
No. of poles	2 - 17

## Technical Data

Overvoltage Category	III	III	II
Pollution Severity Level	3	2	2
Rated Voltage	500 V	630 V	1000 V
Rated Impulse Voltage	6 kV	6 kV	6 kV
Rated Insulation Voltage	750 V acc. to EN 60998-1		
Rated Current	7,5 A: with receptacles 2,8; wire 1 mm <sup>2</sup> (16 AWG)		
Hole in PCB	ø 1,6 mm		
Other specifications	Indicated rated voltages refer to applications with insulation receptacles		

## Material

Moulding	PA, red, V-0
Comparative Tracking Index	CTI ≥ 600
Insulating Group	I
Temperature Range	-40°C up to 100°C
Solder pin	1,0 x 0,8 mm; tin plated brass
Tab	2,8 x 0,8 mm; tin plated brass

## Approvals

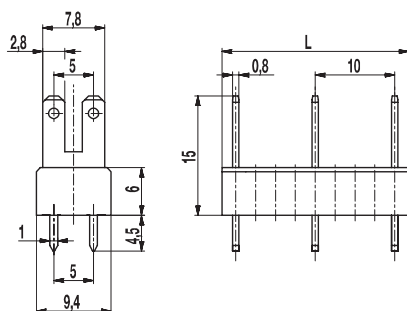
	Current [A]	Voltage [V]	Group	AWG	[Nm]
	15	300	B		
	15	150	C		
	15	300	B		
	10	300	D, E		

## Options / Accessories

- Consecutive numbering
- Special marking according to drawing
- Self-adhesive marking strip BST-7,50
- Insulation receptacles ISO
- Change of pitch
- Component mix of tab connector versions
- Tab connectors are also individually available (see single tabs GST-900)

# 900-SH-10

Tab connector  
Tab 2x 2,8 mm



The tab connector 900-SH-10 with double solder termination and a pitch of 10 mm is designed for 2x 2,8 mm tab connector receptacles.

Depending on the respective application, the tab connectors of series 900 allow to plug in bare, partially or fully insulated tab receptacles according to DIN 46247. On tab connectors of this series, two non-insulated 2,8 mm tab receptacles can be plugged in parallel. Insulation receptacles ISO-110 (see also ISO product data sheet) can be used to insulate 2,8 mm tab receptacles.

## Part Numbers

No. of poles	900-SH-10	Length	PU
2	39.870.903	13,50	250
3	39.870.905	23,50	100
4	39.870.907	33,50	100
5	39.870.909	43,50	100
6	39.870.911	53,50	100
7	39.870.913	63,50	100
8	39.870.915	73,50	100
9	39.870.917	83,50	100
10	39.870.919	93,50	100
11	39.870.921	103,50	100
12	39.870.923	113,50	100
13	39.870.925	123,50	50

further number of poles on request

## General Information

Pitch	10 mm
No. of poles	2 - 13

## Technical Data

Overvoltage Category	III	III	II
Pollution Severity Level	3	2	2
Rated Voltage	630 V	630 V	1000 V
Rated Impulse Voltage	6 kV	6 kV	6 kV
Rated Insulation Voltage	750 V acc. to EN 60998-1		
Rated Current	7,5 A: with receptacles 2,8; wire 1 mm <sup>2</sup> (16 AWG)		
Hole in PCB	ø 1,6 mm		
Other specifications	Indicated rated voltages refer to applications with insulation receptacles		

## Material

Moulding	PA, red, V-0
Comparative Tracking Index	CTI ≥ 600
Insulating Group	I
Temperature Range	-40°C up to 100°C
Solder pin	1,0 x 0,8 mm; tin plated brass
Tab	2,8 x 0,8 mm; tin plated brass

## Approvals

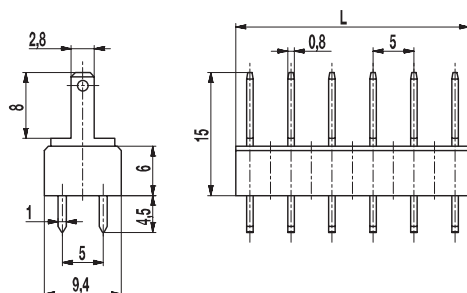
	Current [A]	Voltage [V]	Group	AWG	[Nm]
	15	300	B		
	15	150	C		
	15	300	B		
	10	300	D, E		

## Options / Accessories

- Consecutive numbering
- Special marking according to drawing
- Self-adhesive marking strip BST-10,00
- Insulation receptacles ISO
- Change of pitch
- Component mix of tab connector versions
- Tab connectors are also individually available (see single tabs GST-900)

## 900-SUB-5

Tab connector  
Tab 2,8 mm



The tab connector 900-SUB-5 with double solder termination and a pitch of 5 mm is designed for 2,8 mm tab connector receptacles.

Depending on the respective application, the tab connectors of series 900 allow to plug in bare, partially or fully insulated tab receptacles according to DIN 46247. Insulation receptacles ISO-110 (see also ISO product data sheet) can be used to insulate 2,8 mm tab receptacles.

Insulation sockets are available for 6,3 mm tab connectors with double-spring contacts (see also ISO-900 product data sheet).

### Part Numbers

No. of poles	900-SUB-5	Length	PU
2	11.870.902	8,50	250
3	11.870.903	13,50	250
4	11.870.904	18,50	200
5	11.870.905	23,50	100
6	11.870.906	28,50	100
7	11.870.907	33,50	100
8	11.870.908	38,50	100
9	11.870.909	43,50	100
10	11.870.910	48,50	100
11	11.870.911	53,50	100
12	11.870.912	58,50	100
13	11.870.913	63,50	100
14	11.870.914	68,50	100
15	11.870.915	73,50	100
16	11.870.916	78,50	100
17	11.870.917	83,50	100
18	11.870.918	88,50	100
19	11.870.919	93,50	100
20	11.870.920	98,50	100
21	11.870.921	103,50	100
22	11.870.922	108,50	100
23	11.870.923	113,50	100
24	11.870.924	118,50	50
25	11.870.925	123,50	50

further number of poles on request

### General Information

Pitch	5 mm
No. of poles	2 - 25

### Technical Data

Overvoltage Category	III	III	II
Pollution Severity Level	3	2	2
Rated Voltage	320 V	320 V	630 V
Rated Impulse Voltage	4 kV	4 kV	4 kV
Rated Insulation Voltage	450 V acc. to EN 60998-1		
Rated Current	7,5 A: with receptacles 2,8; wire 1 mm <sup>2</sup> (16 AWG)		
Hole in PCB	ø 1,6 mm		
Other specifications	Indicated rated voltages refer to applications with insulation receptacles		

### Material

Moulding	PA, red, V-0
Comparative Tracking Index	CTI ≥ 600
Insulating Group	I
Temperature Range	-40°C up to 100°C
Solder pin	1,0 x 0,8 mm; tin plated brass
Tab	2,8 x 0,8 mm; tin plated brass

### Approvals

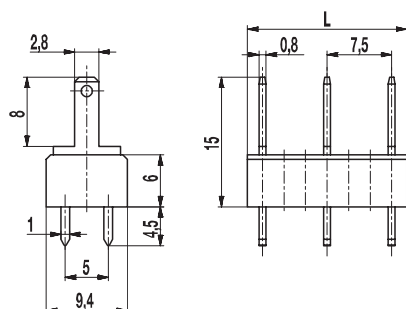
	Current [A]	Voltage [V]	Group	AWG	[Nm]
	15	150	B		
	6	300	B, D, E		

### Options / Accessories

- Consecutive numbering
- Special marking according to drawing
- Self-adhesive marking strip BST-5,00
- Insulation receptacles ISO
- Insulation sockets ISO-900
- Change of pitch
- Component mix of tab connector versions
- Tab connectors are also individually available (see single tabs GST-900)

# 900-SUB-7,5

Tab connector  
Tab 2,8 mm



The tab connector 900-SUB-7,5 with double solder termination and a pitch of 7,5 mm is designed for 2,8 mm tab connector receptacles.

Depending on the respective application, the tab connectors of series 900 allow to plug in bare, partially or fully insulated tab receptacles according to DIN 46247. Insulation receptacles ISO-110 (see also ISO product data sheet) can be used to insulate 2,8 mm tab receptacles.

Insulation sockets are available for 6,3 mm tab connectors with double-spring contacts (see also ISO-900 product data sheet).

## Part Numbers

No. of poles	900-SUB-7,5	Length	PU
2	12.870.903	11,00	250
3	12.870.904	18,50	200
4	12.870.906	26,00	100
5	12.870.907	33,50	100
6	12.870.909	41,00	100
7	12.870.910	48,50	100
8	12.870.912	56,00	100
9	12.870.913	63,50	100
10	12.870.915	71,00	100
11	12.870.916	78,50	100
12	12.870.918	86,00	100
13	12.870.919	93,50	100
14	12.870.921	101,00	100
15	12.870.922	108,50	100
16	12.870.924	116,00	50
17	12.870.925	123,50	50

## General Information

Pitch	7,5 mm
No. of poles	2 - 17

## Technical Data

Overvoltage Category	III	III	II
Pollution Severity Level	3	2	2
Rated Voltage	500 V	630 V	1000 V
Rated Impulse Voltage	6 kV	6 kV	6 kV
Rated Insulation Voltage	750 V acc. to EN 60998-1		
Rated Current	7,5 A: with receptacles 2,8; wire 1 mm <sup>2</sup> (16 AWG)		
Hole in PCB	ø 1,6 mm		
Other specifications	Indicated rated voltages refer to applications with insulation receptacles		

## Material

Moulding	PA, red, V-0
Comparative Tracking Index	CTI ≥ 600
Insulating Group	I
Temperature Range	-40°C up to 100°C
Solder pin	1,0 x 0,8 mm; tin plated brass
Tab	2,8 x 0,8 mm; tin plated brass

## Approvals

	Current [A]	Voltage [V]	Group	AWG	[Nm]
	15	300	B		
	15	150	C		
	6	300	B, D, E		

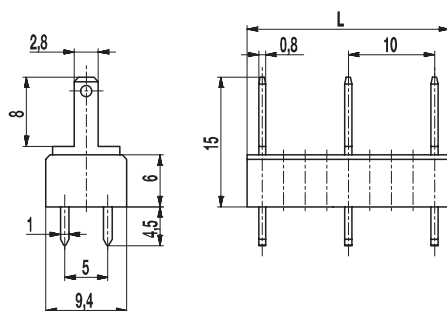
## Options / Accessories

- Consecutive numbering
- Special marking according to drawing
- Self-adhesive marking strip BST-7,50
- Insulation receptacles ISO
- Insulation sockets ISO-900
- Change of pitch
- Component mix of tab connector versions
- Tab connectors are also individually available (see single tabs GST-900)



# 900-SUB-10

Tab connector  
Tab 2,8 mm



The tab connector 900-SUB-10 with double solder termination and a pitch of 10 mm is designed for 2,8 mm tab connector receptacles.

Depending on the respective application, the tab connectors of series 900 allow to plug in bare, partially or fully insulated tab receptacles according to DIN 46247. Insulation receptacles ISO-110 (see also ISO product data sheet) can be used to insulate 2,8 mm tab receptacles.

Insulation sockets are available for 6,3 mm tab connectors with double-spring contacts (see also ISO-900 product data sheet).

## Part Numbers

No. of poles	900-SUB-10	Length	PU
2	13.870.903	13,50	250
3	13.870.905	23,50	250
4	13.870.907	33,50	250
5	13.870.909	43,50	250
6	13.870.911	53,50	250
7	13.870.913	63,50	100
8	13.870.915	73,50	100
9	13.870.917	83,50	100
10	13.870.919	93,50	100
11	13.870.921	103,50	100
12	13.870.923	113,50	100
13	13.870.925	123,50	50

further number of poles on request

## General Information

Pitch	10 mm
No. of poles	2 - 13

## Technical Data

Overvoltage Category	III	III	II
Pollution Severity Level	3	2	2
Rated Voltage	630 V	630 V	1000 V
Rated Impulse Voltage	6 kV	6 kV	6 kV
Rated Insulation Voltage	750 V acc. to EN 60998-1		
Rated Current	7,5 A: with receptacles 2,8; wire 1 mm <sup>2</sup> (16 AWG)		
Hole in PCB	ø 1,6 mm		
Other specifications	Indicated rated voltages refer to applications with insulation receptacles		

## Material

Moulding	PA, red, V-0
Comparative Tracking Index	CTI ≥ 600
Insulating Group	I
Temperature Range	-40°C up to 100°C
Solder pin	1,0 x 0,8 mm; tin plated brass
Tab	2,8 x 0,8 mm; tin plated brass

## Approvals

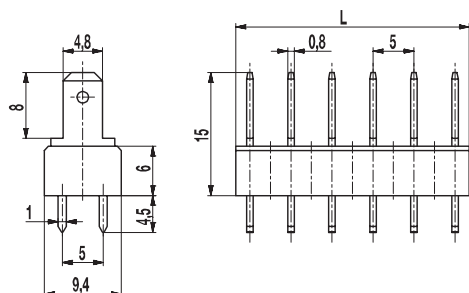
	Current [A]	Voltage [V]	Group	AWG	[Nm]
	15	300	B		
	15	150	C		
	6	300	B, D, E		

## Options / Accessories

- Consecutive numbering
- Special marking according to drawing
- Self-adhesive marking strip BST-10,00
- Insulation receptacles ISO
- Insulation sockets ISO-900
- Change of pitch
- Component mix of tab connector versions
- Tab connectors are also individually available (see single tabs GST-900)

# 900-SUC-5

Tab connector  
Tab 4,8 mm



The tab connector 900-SUC-5 with double solder termination and a pitch of 5 mm is designed for 4,8 mm tab connector receptacles.

Depending on the respective application, the tab connectors of series 900 allow to plug in bare, partially or fully insulated tab receptacles according to DIN 46247. Insulation receptacles ISO-187 (see also ISO product data sheet) can be used to insulate 4,8 mm tab receptacles.

Insulation sockets are available for 6,3 mm tab connectors with double-spring contacts (see also ISO-900 product data sheet).

## Part Numbers

No. of poles	900-SUC-5	Length	PU
2	15.870.902	8,50	250
3	15.870.903	13,50	250
4	15.870.904	18,50	200
5	15.870.905	23,50	100
6	15.870.906	28,50	100
7	15.870.907	33,50	100
8	15.870.908	38,50	100
9	15.870.909	43,50	100
10	15.870.910	48,50	100
11	15.870.911	53,50	100
12	15.870.912	58,50	100
13	15.870.913	63,50	100
14	15.870.914	68,50	100
15	15.870.915	73,50	100
16	15.870.916	78,50	100
17	15.870.917	83,50	100
18	15.870.918	88,50	100
19	15.870.919	93,50	100
20	15.870.920	98,50	100
21	15.870.921	103,50	100
22	15.870.922	108,50	100
23	15.870.923	113,50	100
24	15.870.924	118,50	50
25	15.870.925	123,50	50

further number of poles on request

## General Information

Pitch	5 mm
No. of poles	2 - 25

## Technical Data

Overvoltage Category	III	III	II
Pollution Severity Level	3	2	2
Rated Voltage	320 V	320 V	630 V
Rated Impulse Voltage	4 kV	4 kV	4 kV
Rated Insulation Voltage	450 V acc. to EN 60998-1		
Rated Current	15 A: with receptacles 4,8; wire 2,5 mm <sup>2</sup> (14 AWG)		
Hole in PCB	ø 1,6 mm		
Other specifications	Indicated rated voltages refer to applications with insulation receptacles		

## Material

Moulding	PA, red, V-0
Comparative Tracking Index	CTI ≥ 600
Insulating Group	I
Temperature Range	-40°C up to 100°C
Solder pin	1,0 x 0,8 mm; tin plated brass
Tab	4,8 x 0,8 mm; tin plated brass

## Approvals

	Current [A]	Voltage [V]	Group	AWG	[Nm]
	15	150	B		
	15	300	B		
	10	300	D, E		

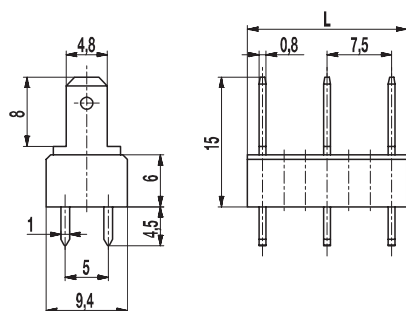
## Options / Accessories

- Consecutive numbering
- Special marking according to drawing
- Self-adhesive marking strip BST-5,00
- Insulation receptacles ISO
- Insulation sockets ISO-900
- Change of pitch
- Component mix of tab connector versions
- Tab connectors are also individually available (see single tabs GST-900)

# 900-SUC-7,5

Tab connector

Tab 4,8 mm



The tab connector 900-SUC-7,5 with double solder termination and a pitch of 7,5 mm is designed for 4,8 mm tab connector receptacles.

Depending on the respective application, the tab connectors of series 900 allow to plug in bare, partially or fully insulated tab receptacles according to DIN 46247. Insulation receptacles ISO-187 (see also ISO product data sheet) can be used to insulate 4,8 mm tab receptacles.

Insulation sockets are available for 6,3 mm tab connectors with double-spring contacts (see also ISO-900 product data sheet).

## Part Numbers

No. of poles	900-SUC-7,5	Length	PU
2	17.870.903	11,00	250
3	17.870.904	18,50	200
4	17.870.906	26,00	100
5	17.870.907	33,50	100
6	17.870.909	41,00	100
7	17.870.910	48,50	100
8	17.870.912	56,00	100
9	17.870.913	63,50	100
10	17.870.915	71,00	100
11	17.870.916	78,50	100
12	17.870.918	86,00	100
13	17.870.919	93,50	100
14	17.870.921	101,00	100
15	17.870.922	108,50	100
16	17.870.924	116,00	50
17	17.870.925	123,50	50

## General Information

Pitch	7,5 mm
No. of poles	2 - 17

## Technical Data

Overvoltage Category	III	III	II
Pollution Severity Level	3	2	2
Rated Voltage	500 V	630 V	1000 V
Rated Impulse Voltage	6 kV	6 kV	6 kV
Rated Insulation Voltage	750 V acc. to EN 60998-1		
Rated Current	15 A: with receptacles 4,8; wire 2,5 mm <sup>2</sup> (14 AWG)		
Hole in PCB	ø 1,6 mm		
Other specifications	Indicated rated voltages refer to applications with insulation receptacles		

## Material

Moulding	PA, red, V-0
Comparative Tracking Index	CTI ≥ 600
Insulating Group	I
Temperature Range	-40°C up to 100°C
Solder pin	1,0 x 0,8 mm; tin plated brass
Tab	4,8 x 0,8 mm; tin plated brass

## Approvals

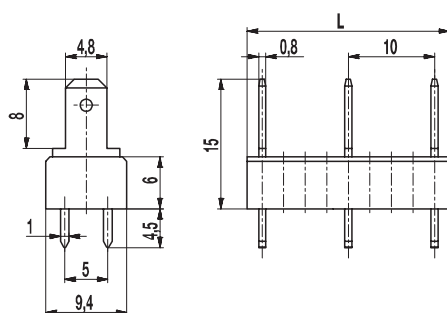
	Current [A]	Voltage [V]	Group	AWG	[Nm]
	15	300	B		
	15	150	C		
	15	300	B		
	10	300	D, E		

## Options / Accessories

- Consecutive numbering
- Special marking according to drawing
- Self-adhesive marking strip BST-7,50
- Insulation receptacles ISO
- Insulation sockets ISO-900
- Change of pitch
- Component mix of tab connector versions
- Tab connectors are also individually available (see single tabs GST-900)

# 900-SUC-10

Tab connector  
Tab 4,8 mm



The tab connector 900-SUC-10 with double solder termination and a pitch of 10 mm is designed for 4,8 mm tab connector receptacles.

Depending on the respective application, the tab connectors of series 900 allow to plug in bare, partially or fully insulated tab receptacles according to DIN 46247. Insulation receptacles ISO-187 (see also ISO product data sheet) can be used to insulate 4,8 mm tab receptacles.

Insulation sockets are available for 6,3 mm tab connectors with double-spring contacts (see also ISO-900 product data sheet).

## Part Numbers

No. of poles	900-SUC-10	Length	PU
2	19.870.903	13,50	250
3	19.870.905	23,50	100
4	19.870.907	33,50	100
5	19.870.909	43,50	100
6	19.870.911	53,50	100
7	19.870.913	63,50	100
8	19.870.915	73,50	100
9	19.870.917	83,50	100
10	19.870.919	93,50	100
11	19.870.921	103,50	100
12	19.870.923	113,50	100
13	19.870.925	123,50	50

further number of poles on request

## General Information

Pitch	10 mm
No. of poles	2 - 13

## Technical Data

Overvoltage Category	III	III	II
Pollution Severity Level	3	2	2
Rated Voltage	630 V	630 V	1000 V
Rated Impulse Voltage	6 kV	6 kV	6 kV
Rated Insulation Voltage	750 V acc. to EN 60998-1		
Rated Current	15 A: with receptacles 4,8; wire 2,5 mm <sup>2</sup> (14 AWG)		
Hole in PCB	ø 1,6 mm		
Other specifications	Indicated rated voltages refer to applications with insulation receptacles		

## Material

Moulding	PA, red, V-0
Comparative Tracking Index	CTI ≥ 600
Insulating Group	I
Temperature Range	-40°C up to 100°C
Solder pin	1,0 x 0,8 mm; tin plated brass
Tab	4,8 x 0,8 mm; tin plated brass

## Approvals

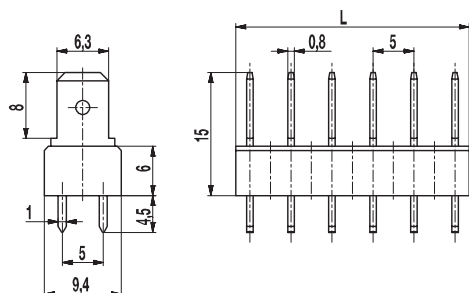
	Current [A]	Voltage [V]	Group	AWG	[Nm]
	15	300	B		
	15	150	C		
	15	300	B		
	10	300	D, E		

## Options / Accessories

- Consecutive numbering
- Special marking according to drawing
- Self-adhesive marking strip BST-10,00
- Insulation receptacles ISO
- Insulation sockets ISO-900
- Change of pitch
- Component mix of tab connector versions
- Tab connectors are also individually available (see single tabs GST-900)

# 900-SUN-5

Tab connector  
Tab 6,3 mm



The tab connector 900-SUN-5 with double solder termination and a pitch of 5 mm is designed for 6,3 mm tab connector receptacles.

Depending on the respective application, the tab connectors of series 900 allow to plug in bare, partially or fully insulated tab receptacles according to DIN 46247. Insulation receptacles ISO-25 and ISO-250 (see also ISO product data sheet) can be used to insulate 6,3 mm tab receptacles.

Insulation sockets are available for 6,3 mm tab connectors with double-spring contacts (see also ISO-900 product data sheet).

## Part Numbers

No. of poles	900-SUN-5	Length	PU
2	45.870.902	8,50	250
3	45.870.903	13,50	250
4	45.870.904	18,50	200
5	45.870.905	23,50	100
6	45.870.906	28,50	100
7	45.870.907	33,50	100
8	45.870.908	38,50	100
9	45.870.909	43,50	100
10	45.870.910	48,50	100
11	45.870.911	53,50	100
12	45.870.912	58,50	100
13	45.870.913	63,50	100
14	45.870.914	68,50	100
15	45.870.915	73,50	100
16	45.870.916	78,50	100
17	45.870.917	83,50	100
18	45.870.918	88,50	100
19	45.870.919	93,50	100
20	45.870.920	98,50	100
21	45.870.921	103,50	100
22	45.870.922	108,50	100
23	45.870.923	113,50	100
24	45.870.924	118,50	50
25	45.870.925	123,50	50

further number of poles on request

## General Information

Pitch	5 mm
No. of poles	2 - 25

## Technical Data

Overvoltage Category	III	III	II
Pollution Severity Level	3	2	2
Rated Voltage	320 V	320 V	630 V
Rated Impulse Voltage	4 kV	4 kV	4 kV
Rated Insulation Voltage	450 V acc. to EN 60998-1		
Rated Current	15 A: with receptacles 6,3; wire 2,5 mm <sup>2</sup> (14 AWG)		
Hole in PCB	ø 1,6 mm		
Other specifications	Indicated rated voltages refer to applications with insulation receptacles		

## Material

Moulding	PA, red, V-0
Comparative Tracking Index	CTI ≥ 600
Insulating Group	I
Temperature Range	-40°C up to 100°C
Solder pin	1,0 x 0,8 mm; tin plated brass
Tab	6,3 x 0,8 mm; tin plated brass

## Approvals

	Current [A]	Voltage [V]	Group	AWG	[Nm]
	15	150	B		
	15	300	B		
	10	300	D, E		

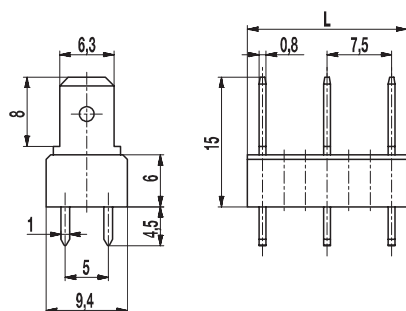
## Options / Accessories

- Consecutive numbering
- Special marking according to drawing
- Self-adhesive marking strip BST-5,00
- Insulation receptacles ISO
- Insulation sockets ISO-900
- Change of pitch
- Component mix of tab connector versions
- Tab connectors are also individually available (see single tabs GST-900)

# 900-SUN-7,5

Tab connector

Tab 6,3 mm



The tab connector 900-SUN-7,5 with double solder termination and a pitch of 7,5 mm is designed for 6,3 mm tab connector receptacles.

Depending on the respective application, the tab connectors of series 900 allow to plug in bare, partially or fully insulated tab receptacles according to DIN 46247. Insulation receptacles ISO-25 and ISO-250 (see also ISO product data sheet) can be used to insulate 6,3 mm tab receptacles.

Insulation sockets are available for 6,3 mm tab connectors with double-spring contacts (see also ISO-900 product data sheet).

## Part Numbers

No. of poles	900-SUN-7,5	Length	PU
2	47.870.903	11,00	250
3	47.870.904	18,50	200
4	47.870.906	26,00	100
5	47.870.907	33,50	100
6	47.870.909	41,00	100
7	47.870.910	48,50	100
8	47.870.912	56,00	100
9	47.870.913	63,50	100
10	47.870.915	71,00	100
11	47.870.916	78,50	100
12	47.870.918	86,00	100
13	47.870.919	93,50	100
14	47.870.921	101,00	100
15	47.870.922	108,50	100
16	47.870.924	116,00	50
17	47.870.925	123,50	50

## General Information

Pitch	7,5 mm
No. of poles	2 - 17

## Technical Data

Overvoltage Category	III	III	II
Pollution Severity Level	3	2	2
Rated Voltage	500 V	630 V	1000 V
Rated Impulse Voltage	6 kV	6 kV	6 kV
Rated Insulation Voltage	750 V acc. to EN 60998-1		
Rated Current	15 A: with receptacles 6,3; wire 2,5 mm <sup>2</sup> (14 AWG)		
Hole in PCB	ø 1,6 mm		
Other specifications	Indicated rated voltages refer to applications with insulation receptacles		

## Material

Moulding	PA, red, V-0
Comparative Tracking Index	CTI ≥ 600
Insulating Group	I
Temperature Range	-40°C up to 100°C
Solder pin	1,0 x 0,8 mm; tin plated brass
Tab	6,3 x 0,8 mm; tin plated brass

## Approvals

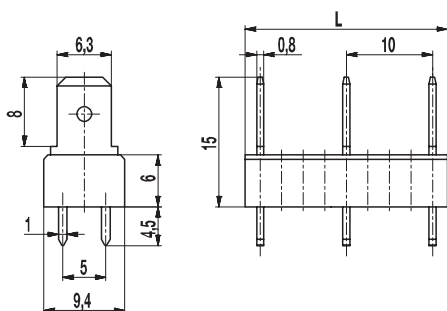
	Current [A]	Voltage [V]	Group	AWG	[Nm]
	15	300	B		
	15	150	C		
	15	300	B		
	10	300	D, E		

## Options / Accessories

- Consecutive numbering
- Special marking according to drawing
- Self-adhesive marking strip BST-7,50
- Insulation receptacles ISO
- Insulation sockets ISO-900
- Change of pitch
- Component mix of tab connector versions
- Tab connectors are also individually available (see single tabs GST-900)

# 900-SUN-10

Tab connector  
Tab 6,3 mm



The tab connector 900-SUN-10 with double solder termination and a pitch of 10 mm is designed for 6,3 mm tab connector receptacles.

Depending on the respective application, the tab connectors of series 900 allow to plug in bare, partially or fully insulated tab receptacles according to DIN 46247. Insulation receptacles ISO-25 and ISO-250 (see also ISO product data sheet) can be used to insulate 6,3 mm tab receptacles.

Insulation sockets are available for 6,3 mm tab connectors with double-spring contacts (see also ISO-900 product data sheet).

## Part Numbers

No. of poles	900-SUN-10	Length	PU
2	49.870.903	13,50	250
3	49.870.905	23,50	100
4	49.870.907	33,50	100
5	49.870.909	43,50	100
6	49.870.911	53,50	100
7	49.870.913	63,50	100
8	49.870.915	73,50	100
9	49.870.917	83,50	100
10	49.870.919	93,50	100
11	49.870.921	103,50	100
12	49.870.923	113,50	100
13	49.870.925	123,50	50

further number of poles on request

## General Information

Pitch	10 mm
No. of poles	2 - 13

## Technical Data

Overvoltage Category	III	III	II
Pollution Severity Level	3	2	2
Rated Voltage	630 V	630 V	1000 V
Rated Impulse Voltage	6 kV	6 kV	6 kV
Rated Insulation Voltage	750 V acc. to EN 60998-1		
Rated Current	15 A: with receptacles 6,3; wire 2,5 mm <sup>2</sup> (14 AWG)		
Hole in PCB	ø 1,6 mm		
Other specifications	Indicated rated voltages refer to applications with insulation receptacles		

## Material

Moulding	PA, red, V-0
Comparative Tracking Index	CTI ≥ 600
Insulating Group	I
Temperature Range	-40°C up to 100°C
Solder pin	1,0 x 0,8 mm; tin plated brass
Tab	6,3 x 0,8 mm; tin plated brass

## Approvals

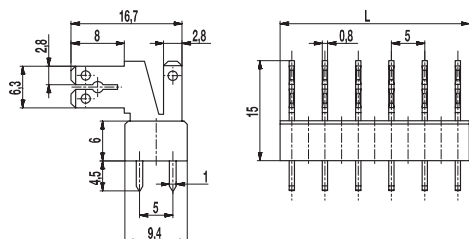
	Current [A]	Voltage [V]	Group	AWG	[Nm]
	15	300	B		
	15	150	C		
	15	300	B		
	10	300	D, E		

## Options / Accessories

- Consecutive numbering
- Special marking according to drawing
- Self-adhesive marking strip BST-10,00
- Insulation receptacles ISO
- Insulation sockets ISO-900
- Change of pitch
- Component mix of tab connector versions
- Tab connectors are also individually available (see single tabs GST-900)

# 900-W-5

Tab connector  
Tabs with 90° angle



The tab connector 900-W-5 with double solder termination and a pitch of 5 mm is designed for 1x 2,8 mm and 1x 2,8 mm/1x 6,3 mm tab connector receptacles.

Depending on the respective application, the tab connectors of series 900 allow to plug in bare, partially or fully insulated tab receptacles according to DIN 46247. A non-insulated 2,8 mm or a 6,3 mm (optionally also insulated) tab connector receptacle can be plugged in the angled plug-in area of the tab connector. To the vertical tab connector, a non-insulated 2,8 mm tab connector receptacle can also be connected. Insulation receptacles ISO-25 and ISO-250 (see also ISO product data sheet) can be used to insulate 6,3 mm tab receptacles.

## Part Numbers

No. of poles	900-W-5	Length	PU
2	25.870.902	8,50	250
3	25.870.903	13,50	250
4	25.870.904	18,50	200
5	25.870.905	23,50	100
6	25.870.906	28,50	100
7	25.870.907	33,50	100
8	25.870.908	38,50	100
9	25.870.909	43,50	100
10	25.870.910	48,50	100
11	25.870.911	53,50	100
12	25.870.912	58,50	100
13	25.870.913	63,50	100
14	25.870.914	68,50	50
15	25.870.915	73,50	50
16	25.870.916	78,50	50
17	25.870.917	83,50	50
18	25.870.918	88,50	50
19	25.870.919	93,50	50
20	25.870.920	98,50	50
21	25.870.921	103,50	50
22	25.870.922	108,50	50
23	25.870.923	113,50	50
24	25.870.924	118,50	50
25	25.870.925	123,50	50

further number of poles on request

## General Information

Pitch	5 mm
No. of poles	2 - 25

## Technical Data

Overvoltage Category	III	III	II
Pollution Severity Level	3	2	2
Rated Voltage	320 V	320 V	630 V
Rated Impulse Voltage	4 kV	4 kV	4 kV
Rated Insulation Voltage	450 V acc. to EN 60998-1		
Rated Current	7,5 A: with receptacles 2,8; wire 1 mm <sup>2</sup> (16 AWG) 15 A: with receptacles 6,3; wire 2,5 mm <sup>2</sup> (14 AWG)		
Hole in PCB	ø 1,6 mm		
Other specifications	Indicated rated voltages refer to applications with insulation receptacles		

## Material

Moulding	PA, red, V-0
Comparative Tracking Index	CTI ≥ 600
Insulating Group	I
Temperature Range	-40°C up to 100°C
Solder pin	1,0 x 0,8 mm; tin plated brass
Tab	2,8 x 0,8 mm; 6,3 x 0,8 mm; tin plated brass

## Approvals

	Current [A]	Voltage [V]	Group	AWG	[Nm]
	15	150	B		
	15	300	B		
	10	300	D, E		

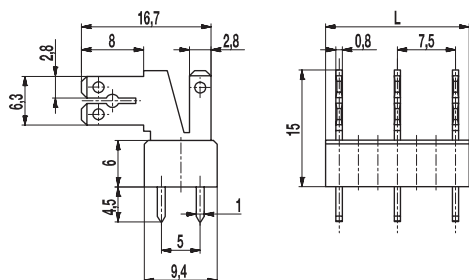
## Options / Accessories

- Consecutive numbering
- Special marking according to drawing
- Self-adhesive marking strip BST-5,00
- Insulation receptacles ISO
- Change of pitch
- Component mix of tab connector versions
- Tab connectors are also individually available (see single tabs GST-900)



# 900-W-7,5

Tab connector  
Tabs with 90° angle



The tab connector 900-W-7,5 with double solder termination and a pitch of 7,5 mm is designed for 1x 2,8 mm and 1x 2,8 mm / 1x 6,3 mm tab connector receptacles.

Depending on the respective application, the tab connectors of series 900 allow to plug in bare, partially or fully insulated tab receptacles according to DIN 46247. A non-insulated 2,8 mm or a 6,3 mm (optionally also insulated) tab connector receptacle can be plugged in the angled plug-in area of the tab connector. To the vertical tab connector, a non-insulated 2,8 mm tab connector receptacle can also be connected. Insulation receptacles ISO-25 and ISO-250 (see also ISO product data sheet) can be used to insulate 6,3 mm tab receptacles.

## Part Numbers

No. of poles	900-W-7,5	Length	PU
2	27.870.903	11,00	250
3	27.870.904	18,50	200
4	27.870.906	26,00	100
5	27.870.907	33,50	100
6	27.870.909	41,00	100
7	27.870.910	48,50	100
8	27.870.912	56,00	100
9	27.870.913	63,50	100
10	27.870.915	71,00	50
11	27.870.916	78,50	50
12	27.870.918	86,00	50
13	27.870.919	93,50	50
14	27.870.921	101,00	50
15	27.870.922	108,50	50
16	27.870.924	116,00	50
17	27.870.925	123,50	50

## General Information

Pitch	7,5 mm
No. of poles	2 - 17

## Technical Data

Overvoltage Category	III	III	II
Pollution Severity Level	3	2	2
Rated Voltage	500 V	630 V	1000 V
Rated Impulse Voltage	6 kV	6 kV	6 kV
Rated Insulation Voltage	750 V acc. to EN 60998-1		
Rated Current	7,5 A: with receptacles 2,8; wire 1 mm <sup>2</sup> (16 AWG) 15 A: with receptacles 6,3; wire 2,5 mm <sup>2</sup> (14 AWG)		
Hole in PCB	ø 1,6 mm		
Other specifications	Indicated rated voltages refer to applications with insulation receptacles		

## Material

Moulding	PA, red, V-0
Comparative Tracking Index	CTI ≥ 600
Insulating Group	I
Temperature Range	-40°C up to 100°C
Solder pin	1,0 x 0,8 mm; tin plated brass
Tab	2,8 x 0,8 mm; 6,3 x 0,8 mm; tin plated brass

## Approvals

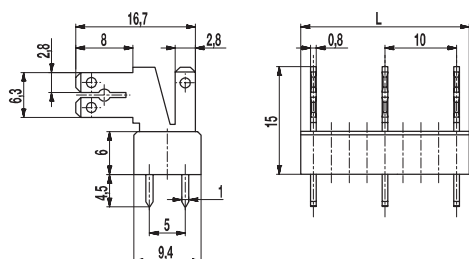
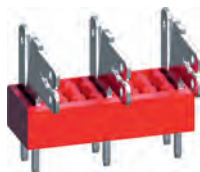
	Current [A]	Voltage [V]	Group	AWG	[Nm]
	15	300	B		
	15	150	C		
	15	300	B		
	10	300	D, E		

## Options / Accessories

- Consecutive numbering
- Special marking according to drawing
- Self-adhesive marking strip BST-7,50
- Insulation receptacles ISO
- Change of pitch
- Component mix of tab connector versions
- Tab connectors are also individually available (see single tabs GST-900)

# 900-W-10

Tab connector  
Tabs with 90° angle



The tab connector 900-W-10 with double solder termination and a pitch of 10 mm is designed for 1x 2,8 mm and 1x 2,8 mm / 1x 6,3 mm tab connector receptacles.

Depending on the respective application, the tab connectors of series 900 allow to plug in bare, partially or fully insulated tab receptacles according to DIN 46247. A non-insulated 2,8 mm or a 6,3 mm (optionally also insulated) tab connector receptacle can be plugged in the angled plug-in area of the tab connector. To the vertical tab connector, a non-insulated 2,8 mm tab connector receptacle can also be connected. Insulation receptacles ISO-25 and ISO-250 (see also ISO product data sheet) can be used to insulate 6,3 mm tab receptacles.

## Part Numbers

No. of poles	900-W-10	Length	PU
2	30.870.903	13,50	250
3	30.870.905	23,50	100
4	30.870.907	33,50	100
5	30.870.909	43,50	100
6	30.870.911	53,50	100
7	30.870.913	63,50	100
8	30.870.915	73,50	50
9	30.870.917	83,50	50
10	30.870.919	93,50	50
11	30.870.921	103,50	50
12	30.870.923	113,50	50
13	30.870.925	123,50	50

further number of poles on request

## General Information

Pitch	10 mm
No. of poles	2 - 13

## Technical Data

Overvoltage Category	III	III	II
Pollution Severity Level	3	2	2
Rated Voltage	630 V	630 V	1000 V
Rated Impulse Voltage	6 kV	6 kV	6 kV
Rated Insulation Voltage	750 V acc. to EN 60998-1		
Rated Current	7,5 A: with receptacles 2,8; wire 1 mm <sup>2</sup> (16 AWG) 15 A: with receptacles 6,3; wire 2,5 mm <sup>2</sup> (14 AWG)		
Hole in PCB	ø 1,6 mm		
Other specifications	Indicated rated voltages refer to applications with insulation receptacles		

## Material

Moulding	PA, red, V-0
Comparative Tracking Index	CTI ≥ 600
Insulating Group	I
Temperature Range	-40°C up to 100°C
Solder pin	1,0 x 0,8 mm; tin plated brass
Tab	2,8 x 0,8 mm; 6,3 x 0,8 mm; tin plated brass

## Approvals

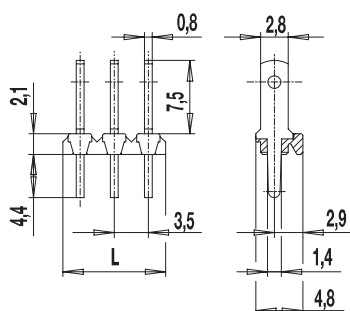
	Current [A]	Voltage [V]	Group	AWG	[Nm]
	15	300	B		
	15	150	C		
	15	300	B		
	10	300	D, E		

## Options / Accessories

- Consecutive numbering
- Special marking according to drawing
- Self-adhesive marking strip BST-10,00
- Insulation receptacles ISO
- Change of pitch
- Component mix of tab connector versions
- Tab connectors are also individually available (see single tabs GST-900)

# 931-FST

Tab connector



The tab connector 931-FST with tabs 2,8 x 0,8 mm can be used both with plug connector 930-FL or 938-FLDS and to connect individual wires with tab receptacles B 2.8-DIN 46 247 whose crimped points must be insulated. The tab connector is inserted in the plug connector 930-FL in direction of the wire entrance, which minimizes the space requirements on the PC board compared to the combination with pin strip 931-SLS or 931-SLR. The receptacles are not parts of our production program.

## Part Numbers

No. of poles	931-FST	Length	PU
2	12.893.705	7,00	1000
3	13.893.705	10,50	1000
4	14.893.705	14,00	500
5	15.893.705	17,50	500
6	16.893.705	21,00	500
7	17.893.705	24,50	500
8	18.893.705	28,00	250
9	19.893.705	31,50	200
10	20.893.705	35,00	200
11	21.893.705	38,50	200
12	22.893.705	42,00	250
13	23.893.705	45,50	200
14	24.893.705	49,00	200
15	25.893.705	52,50	200
16	26.893.705	56,00	200

## General Information

Pitch	3,5 mm
No. of poles	2 - 16
Usable with	plug connector 930-FL; 938-FLDS; receptacle B 2,8

## Technical Data

Overvoltage Category	III	III	II
Pollution Severity Level	3	2	2
Rated Voltage	160 V	160 V	250 V
Rated Impulse Voltage	2,5 kV	2,5 kV	2,5 kV
Rated Insulation Voltage	130 V acc. to EN 60998-1		
Rated Current	7,5 A: with receptacles 2,8; wire 1 mm <sup>2</sup> (16 AWG)		
Hole in PCB	ø 1,8 mm		
Other specifications	Rated voltage with insulated receptacles		

## Material

Moulding	PA, grey, V-0
Comparative Tracking Index	CTI 250
Insulating Group	IIIa
Temperature Range	-40°C up to 100°C
Solder pin	1,4 x 0,8 mm; tin plated brass
Tab	2,8 x 0,8 mm; tin plated brass

## Approvals

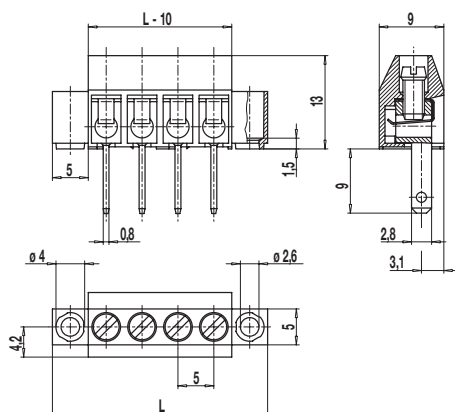
	Current [A]	Voltage [V]	Group	AWG	[Nm]
	6	300	B		
	6	300	B		

## Options / Accessories

- Pitch of 7 mm for larger clearance and creepage distances

# 970-B-2,8(-DS)

Tab/screw connector block  
screw connection, with tabs 2,8



Tab/screw connector block 970-B-2,8 in 5 mm pitch is a combination of tab connector block and screw connector. They are available in 2- to 8-pole design. They are mostly used for the mains connections of electrical equipment but are also suitable for other applications.

Due to the 5 mm pitch, the tab/screw connector block 970-B-2,8 has only small space requirements and is particularly suitable as lead-out terminal for plastic walls.

The housing features two lateral mounting flanges.

Interior connections are designed as A 2,8 mm x 0,8 mm tab connectors.

The wire protector of the "DS"-version reliably prevents damage to multi-wire flexible conductors by the turning screw.

#### Installation note:

Tab connectors are provided for connections inside electrical equipment. They offer easy and low-cost mounting solutions. Screw connections are available for mains connections.

## Part Numbers

No. of poles	970-B-2,8	970-B-2,8-DS	Length	PU
2	13.872.702	23.872.702	20,00	200
3	13.872.703	23.872.703	25,00	200
4	13.872.704	23.872.704	30,00	100
5	13.872.705	23.872.705	35,00	100
6	13.872.706	23.872.706	40,00	100
7	13.872.707	23.872.707	45,00	100
8	13.872.708	23.872.708	50,00	100

## General Information

Pitch	5 mm
No. of poles	2 - 8

## Technical Data

Clamping Range	<i>solid / flexible / AWG</i>
<i>without wire protector</i>	1 - 6 mm <sup>2</sup> / 1 - 2,5 mm <sup>2</sup> / 16 - 12 AWG
<i>with wire protector</i>	0,75 - 4 mm <sup>2</sup> / 0,75 - 2,5 mm <sup>2</sup> / 18 - 12 AWG
Rated Cross Section	2,5 mm <sup>2</sup> [1]; 1 mm <sup>2</sup> [2]
Wire Stripping Length	6,5 mm
Overvoltage Category	III
Pollution Severity Level	3
Rated Voltage	250 V
Rated Impulse Voltage	4 kV
Rated Insulation Voltage	250 V acc. to EN 60998-1
Rated Current	6 A: with receptacle 2,8; wire 1 mm <sup>2</sup> (16 AWG)
Torque	0,5 Nm
Other specifications	Indicated rated voltages refer to applications with insulation receptacles.

## Material

Moulding	PA, grey, V-0
Comparative Tracking Index	CTI ≥ 600
Insulating Group	I
Temperature Range	-40°C up to 100°C
Terminal Body	Nickel plated brass
Tab	Nickel plated brass
Screw	M3; zinc plated steel, blue passivated
Wire protector	Tin plated tin bronze

## Approvals

	Current [A]	Voltage [V]	Group	AWG	[Nm]
	6	300	B,D	22 - 12	0,51 [3]
	6	300	B,D,E	22 - 10	0,51

## Options / Accessories

- Consecutive numbering
- Special marking according to drawing
- Self-adhesive marking strip BST-5,00
- Version with higher number of poles
- Version without fastening flanges
- Version with extended wire entrance
- Double wire protector as bridge

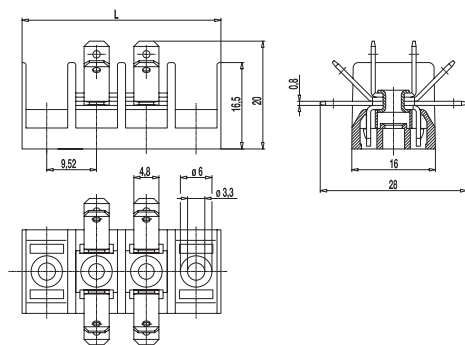
[1] Screw side

[2] Plug-in side

[3] No. 26 AWG min for factory-wiring only

## 982-F

Tab/screw connector blocks  
with tabs 4,8 or screw connection



Tab/screw connector block 982-F in 9,52 mm pitch is based on our proven 98.. series (see Catalogue 4 "Pitch 7,5 mm").

It features a 4.8 mm tab connector in star-shaped arrangement and is available in 2- to 24-pole design for a maximum of six tab connectors or alternatively one screw connector per pole.

The compartments on both extremities of the block can serve for mounting on a substrate. Upon request, other compartments can remain empty for mounting purposes.

#### Installation note:

Since the bottom is not closed, the connector should be mounted on an isolating substrate/surface. Alternatively, our marking strip BST-983-F can be used for this purpose.

Due to the large variety of different types, listing numbers and prices of the various articles is not possible. When inquiring or ordering products with uniform assembly, stating the number of poles and the assembly number is sufficient. For mixed assemblies, we require an exemplary scheme including the orientation of asymmetrical assemblies, stating the number of desired poles and the assembly of each pole with assembly number.

### General Information

Pitch	9,52 mm
No. of poles	2 - 24

### Technical Data

Clamping Range	<i>solid / flexible / AWG</i> 0,75 - 2,5 mm <sup>2</sup> / 0,75 - 2,5 mm <sup>2</sup> / 18 - 12 AWG
Rated Cross Section	2,5 mm <sup>2</sup> [1]
Wire Stripping Length	8,5 mm
Overvoltage Category	III
Pollution Severity Level	3
Rated Voltage	320 V
Rated Impulse Voltage	4 kV
Rated Insulation Voltage	450 V acc. to EN 60998-1
Rated Current	15 A: with receptacle 4,8; wire 2,5 mm <sup>2</sup> (14 AWG)
Torque	0,8 Nm
Other specifications	For screw connectors, two leads of identical cross-section can be connected per pole.

### Material

Moulding	PA, grey, V-0
Comparative Tracking Index	CTI ≥ 600
Insulating Group	I
Temperature Range	-40°C up to 100°C
Terminal Body	Nickel plated brass
Tab	Nickel plated brass
Screw	M3,5; zinc plated steel, blue passivated
Tubular rivet	Tin plated copper

### Approvals

	Current [A]	Voltage [V]	Group	AWG	[Nm]
	20	300	B	20 - 12	0,79
	15	300	B	20 - 12	0,79
	10	300	D,E	20 - 12	0,79

### Options / Accessories

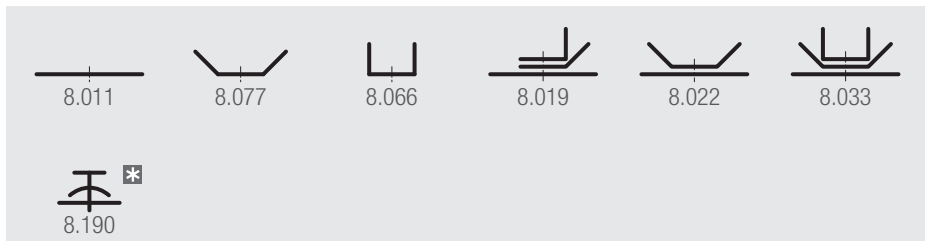
- Consecutive numbering
- Version for printed circuits (with solder connection), see type 983-FS/-FD
- Crosshead screws
- Fastening pole position can be freely selected

[1] Screw side

# 982-F

Tab/screw connector blocks  
 Assembly options and order information

## Assembly options



\* Standard design as slotted screw, crosshead screws upon request

## Tab size



4,8

Tab size

**4,8**

(not applicable, if screw connection 8.190 only)

No. of poles  
**02**  
 to  
**24**

Assembly option  
 Please enter here the desired assembly type number.  
 If you order various sizes, please enclose drawing and enter here: **MIX**

**982-F-4,8/** [ ] - [ ]

Tab, screw and slider connector blocks

## Example ordering scheme for mixed assembly ("MIX")

	8.019
	8.011
	8.022
	8.033
	8.190
	8.066

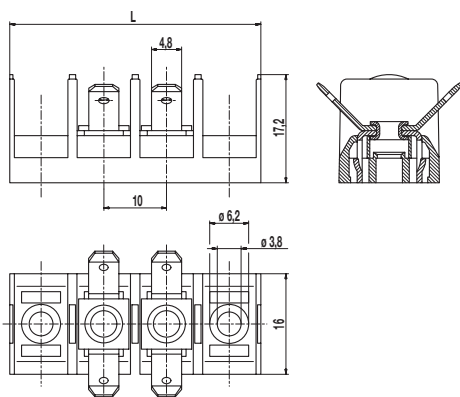
When inquiring or ordering products for uniform assembly, stating the above designation is sufficient.

For mixed assembly ("MIX" as part of the type designation), we additionally need a drawing according to the example on the left.

The drawing must state the desired number of poles, the assembly of each pole and the assembly number.

## 983-F

Tab/screw connector blocks  
with tabs 4,8 or screw connection



Tab/screw connector block 983-F in 10 mm pitch is based on our proven 98.. series.

It features a 4.8 mm tab connector in star-shaped arrangement and is available in 2- to 24-pole design for a maximum of six tab connectors or alternatively one screw connector per pole.

The compartments on both extremities of the block can serve for mounting on a substrate. Upon request, other compartments can remain empty for mounting purposes.

#### Installation note:

Since the bottom is not closed, the connector should be mounted on an isolating substrate/surface. Alternatively, our marking strip BST-983-F can be used for this purpose.

Due to the large variety of different types, listing numbers and prices of the various articles is not possible. When inquiring or ordering products with uniform assembly, stating the number of poles and the assembly number is sufficient. For mixed assemblies, we require an exemplary scheme including the orientation of asymmetrical assemblies, stating the number of desired poles and the assembly of each pole with assembly number.

### General Information

Pitch	10 mm
No. of poles	2 - 24

### Technical Data

Clamping Range	<i>solid / flexible / AWG</i> 0,5 - 2,5 mm <sup>2</sup> / 0,5 - 2,5 mm <sup>2</sup> / 20 - 12 AWG
Rated Cross Section	2,5 mm <sup>2</sup> [1]
Wire Stripping Length	8,5 mm
Overvoltage Category	III
Pollution Severity Level	3
Rated Voltage	320 V
Rated Impulse Voltage	4 kV
Rated Insulation Voltage	450 V acc. to EN 60998-1
Rated Current	15 A: with receptacle 4,8; wire 2,5 mm <sup>2</sup> (14 AWG)
Torque	1,2 Nm
Other specifications	For screw connectors, two leads of identical cross-section can be connected per pole.

### Material

Moulding	PA, grey, V-0
Comparative Tracking Index	CTI ≥ 600
Insulating Group	I
Temperature Range	-40°C up to 100°C
Terminal Body	Nickel plated brass
Tab	Nickel plated brass
Screw	M4; zinc plated steel, blue passivated
Tubular rivet	Tin plated brass

### Approvals

	Current [A]	Voltage [V]	Group	AWG	[Nm]
	15 [2]	300	B	20 - 12	1,13
	15 [2] 10	300 300	B D,E	20 - 12 20 - 12	1,13 1,13

### Options / Accessories

- Consecutive numbering
- Special marking according to drawing
- Self-adhesive marking strip BST-10,00
- Design for printed circuits (with solder connection), please see 983-FS/-FD
- Crosshead for screw connection upon request
- Fastening pole position can be freely selected

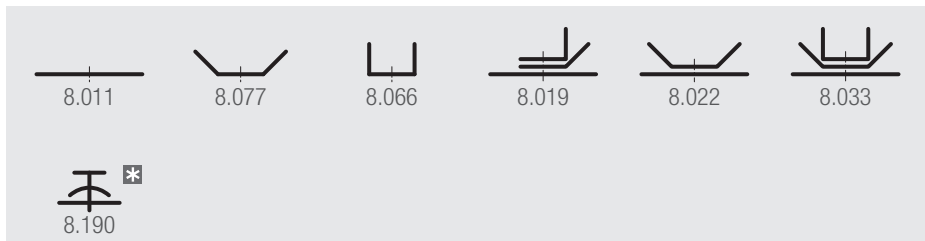
[1] Screw side

[2] Version with screw connections only: 20 A max.

# 983-F

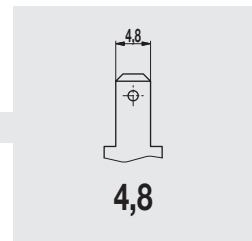
Tab/screw connector blocks  
 Assembly options and order information

## Assembly options



\* Standard design as slotted screw, crosshead screws upon request

## Tab size



Tab size  
**4,8**  
 (not applicable, if screw connection 8.190 only)

No. of poles  
**02**  
 to  
**24**

Assembly option  
 Please enter here the desired assembly type number.  
 If you order various sizes, please enclose drawing and enter here: **MIX**

**983-F-4,8/** [ ] - [ ]

Tab, screw and slider connector blocks

## Example ordering scheme for mixed assembly ("MIX")

	8.019
	8.011
	8.022
	8.033
	8.190
	8.066

When inquiring or ordering products for uniform assembly, stating the above designation is sufficient.

For mixed assembly ("MIX" as part of the type designation), we additionally need a drawing according to the example on the left.

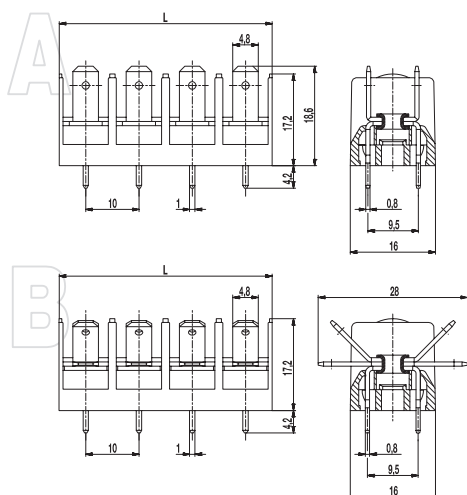
The drawing must state the desired number of poles, the assembly of each pole and the assembly number.



# 983-FD

Tab connector

Tab/screw connection, 2 solder pins per pole

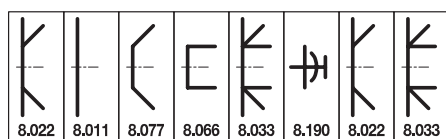
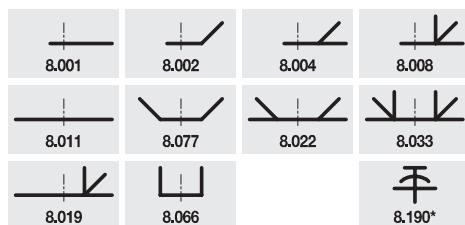


L = Number of poles x pitch

A: Terminal design with tab connector package 8.066

B: Terminal design with tab connector package 8.022

## Terminal designs / Example of mixed assembly



\* = Screw connection

Each pole of the 983-FD tab connector with a 10 mm pitch can be equipped with up to 6 tab connections or one screw connection on the input side.

In the case of uniform configuration, it is sufficient to specify the type, configuration (4-digit number) and the number of poles. In the case of different (-MIX) configuration, the connection versions per pole or a drawing must be specified. Both technical drawings (A and B) show an example for uniform assembly.

Due to the variety of component combinations, there is no fixed order designation.

## General Information

Pitch	10 mm
No. of poles	2 - 26
Usable with	receptacles for tabs acc. to DIN 46247

## Technical Data

Clamping Range	<i>solid / flexible / AWG</i> 0,5 - 2,5 mm <sup>2</sup> / 0,5 - 2,5 mm <sup>2</sup> / 20 - 12 AWG
Rated Cross Section	2,5 mm <sup>2</sup>
Wire Stripping Length	8,5 mm
Overvoltage Category	III
Pollution Severity Level	3
Rated Voltage	320 V
Rated Impulse Voltage	4 kV
Rated Insulation Voltage	450 V acc. to EN 60998-1
Rated Current	15 A: with receptacles 4,8; wire 2,5 mm <sup>2</sup> (14 AWG)
Hole in PCB	ø 1,6 mm
Torque	1,2 Nm
Other specifications	For screw connections, 2 wires of the same cross-section can be connected per pole. The specified rated voltage applies to applications with insulating receptacles.

## Material

Moulding	PA, grey, V-0
Comparative Tracking Index	CTI ≥ 600
Insulating Group	I
Temperature Range	-40°C up to 100°C
Pressure clamp	Tin plated brass
Screw	M4; zinc plated steel, blue passivated
Solder pin	0,8 x 1,0 mm; tin plated brass
Tab	Nickel plated brass
Tubular rivet	Tin plated copper

## Approvals

	Current [A]	Voltage [V]	Group	AWG	[Nm]
	15	300	B	20 - 12	
	15	300	B	20 - 12	
	10	300	D, E	20 - 12	

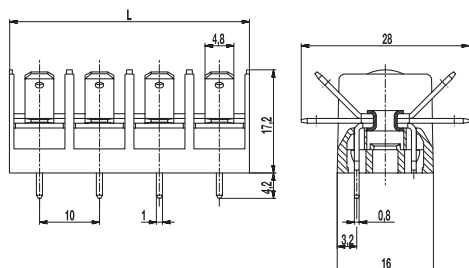
## Options / Accessories

- Consecutive numbering
- Special marking according to drawing
- Self-adhesive marking strip BST-10,00
- Crosshead screws
- 10 mm pin length
- Version without solder pin

# 983-FS

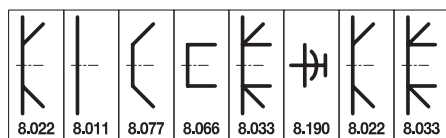
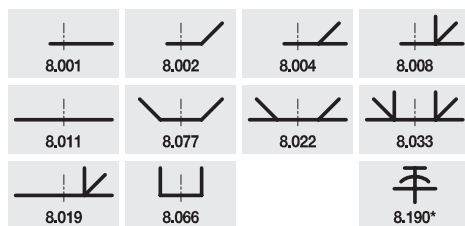
Tab connector

Tab/screw connection, 1 solder pin per pole



L = Number of poles x pitch  
Terminal design with tab connector package 8.022

### Terminal designs / Example of mixed assembly



\* = Screw connection

Each pole of the 983-FS tab connector with a 10 mm pitch can be equipped with up to 6 tab connections or one screw connection on the input side. In the case of uniform configuration, it is sufficient to specify the type, configuration (4-digit number) and the number of poles. In the case of different (-MIX) configuration, the connection versions per pole or a drawing must be specified. The technical drawing above shows an example of a uniformly equipped version.

Due to the variety of component combinations, there is no fixed order designation.

### General Information

Pitch	10 mm
No. of poles	2 - 26
Usable with	receptacles for tabs acc. to DIN 46247

### Technical Data

Clamping Range	<i>solid / flexible / AWG</i> 0,5 - 2,5 mm <sup>2</sup> / 0,5 - 2,5 mm <sup>2</sup> / 20 - 12 AWG
Rated Cross Section	2,5 mm <sup>2</sup>
Wire Stripping Length	8,5 mm
Overvoltage Category	III
Pollution Severity Level	3
Rated Voltage	320 V
Rated Impulse Voltage	4 kV
Rated Insulation Voltage	450 V acc. to EN 60998-1
Rated Current	15 A: with receptacles 4,8; wire 2,5 mm <sup>2</sup> (14 AWG)
Hole in PCB	ø 1,6 mm
Torque	1,2 Nm
Other specifications	For screw connections, 2 wires of the same cross-section can be connected per pole. The specified rated voltage applies to applications with insulating receptacles.

### Material

Moulding	PA, grey, V-0
Comparative Tracking Index	CTI ≥ 600
Insulating Group	I
Temperature Range	-40°C up to 100°C
Pressure clamp	Tin plated brass
Screw	M4; zinc plated steel, blue passivated
Solder pin	0,8 x 1,0 mm; tin plated brass
Tab	Nickel plated brass
Tubular rivet	Tin plated copper

### Approvals

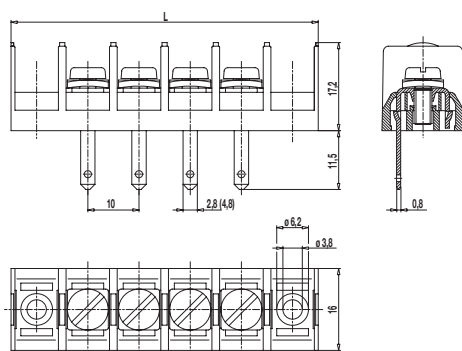
	Current [A]	Voltage [V]	Group	AWG	[Nm]
	15	300	B	20 - 12	
	15	300	B	20 - 12	
	10	300	D, E	20 - 12	

### Options / Accessories

- Consecutive numbering
- Special marking according to drawing
- Self-adhesive marking strip BST-10,00
- Crosshead screws
- 10 mm pin length
- Version without solder pin
- Version with screw connections only, please see 983-S

# 983-MF-2,8/-4,8

Tab/screw connector blocks with tabs



Tab/screw connector blocks 983-MF-2,8 and 983-MF-4,8 in 10 mm pitch are available in 2- to 12-pole design and can be mounted side-by-side in nominal pitch. These connectors are based on our series 983 terminal strips.

The lead connection is designed as head contact terminal with M3,5 screws. Screws and square washers are movably connected. The square washers are mounted in a non-twist arrangement. For an easier connection of the lead, the washer automatically moves up when the screw is loosened.

One tab connection per pole with widths of 2,8 or 4,8 mm is located on the solder/tab side. That way, current transmission to other components is possible without using printed circuits.

## Part Numbers

No. of poles	983-MF-2,8	983-MF-4,8	Length	PU
2	40.873.804	42.873.804	40,00	100
3	40.873.805	42.873.805	50,00	100
4	40.873.806	42.873.806	60,00	100
5	40.873.807	42.873.807	70,00	100
6	40.873.808	42.873.808	80,00	100
7	40.873.809	42.873.809	90,00	50
8	40.873.810	42.873.810	100,00	50
9	40.873.811	42.873.811	110,00	50
10	40.873.812	42.873.812	120,00	50
11	40.873.813	42.873.813	130,00	50
12	40.873.814	42.873.814	140,00	50

further number of poles on request

## General Information

Pitch	10 mm
No. of poles	2 - 12
Areas of application	Wall bushings

## Technical Data

Clamping Range	<i>solid / flexible / AWG</i>		
	0,5 - 2,5 mm <sup>2</sup> / 0,5 - 2,5 mm <sup>2</sup> / 20 - 12 AWG		
Rated Cross Section	2,5 mm <sup>2</sup> [1]		
Wire Stripping Length	8,5 mm		
Overvoltage Category	III	III	II
Pollution Severity Level	3	2	2
Rated Voltage	320 V (500 V)	320 V (630 V)	630 V (1000V)
Rated Impulse Voltage	4 kV (6 kV)	4 kV (6 kV)	4 kV (6 kV)
Rated Insulation Voltage	450 V acc. to EN 60998-1		
Rated Current	6 A: with receptacle 2,8; wire 1,0 mm <sup>2</sup> (16 AWG) 16 A: with receptacle 4,8; wire 2,5 mm <sup>2</sup> (14 AWG)		
Torque	1,2 Nm		
Other specifications	Per pole two wires of identical cross-section can be connected. Voltage data in brackets are valid for version with tabs 2,8 mm. Indicated rated voltages refer to applications with insulation receptacles.		

## Material

Moulding	PA, grey, V-0
Comparative Tracking Index	CTI ≥ 600
Insulating Group	I
Temperature Range	-40°C up to 100°C
Terminal Body	Nickel plated brass
Tab	Nickel plated brass
Screw	M4; zinc plated steel, blue passivated

## Approvals

	Current [A]	Voltage [V]	Group	AWG	[Nm]
	15	300	B	20 - 12	1,13 [2]
	15	300	B	20 - 12	1,13 [3]
	10	300	D,E	20 - 12	1,13 [3]

## Options / Accessories

- Consecutive numbering
- Special marking according to drawing
- Self-adhesive marking strip BST-10,00
- Insulation receptacles ISO
- Crosshead screws on request
- Tab versions available instead of screw connections
- Bushing and mounting bases or backwalls are available upon request

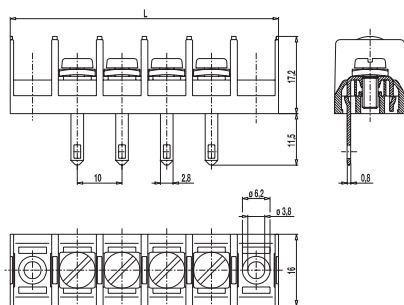
[1] Screw side

[2] For type 983-MF-2,8 is applicable: 300 V / B / 7 A / 1,13 Nm

[3] For type 983-MF-2,8 is applicable: 300 V / B,D,E / 6 A / 1,13 Nm

# 983-ML-2,8

Screw/solder connector block with soldering tags



Screw/solder connector block 983-ML-2,8 in 10 mm pitch is available in 2- to 12-pole design and can be mounted side-by-side in nominal pitch. This connector is based on our series 983 terminal strip.

The lead connection is designed as head contact terminal with M4 screws. Screws and square washers are movably connected. The square washers are mounted in a non-twist arrangement. For an easier connection of the lead, the washer automatically moves up when the screw is loosened.

One solder tag (width 2,8 mm) per pole is located on the soldering side.

## Part Numbers

No. of poles	983-ML-2,8	Length	PU
2	46.873.804	40,00	100
3	46.873.805	50,00	100
4	46.873.806	60,00	100
5	46.873.807	70,00	100
6	46.873.808	80,00	100
7	46.873.809	90,00	50
8	46.873.810	100,00	50
9	46.873.811	110,00	50
10	46.873.812	120,00	50
11	46.873.813	130,00	50
12	46.873.814	140,00	50

further number of poles on request

## General Information

Pitch	10 mm
No. of poles	2 - 12
Areas of application	Wall bushings

## Technical Data

Clamping Range	<i>solid / flexible / AWG</i> 0,5 - 2,5 mm <sup>2</sup> / 0,5 - 2,5 mm <sup>2</sup> / 20 - 12 AWG
Rated Cross Section	2,5 mm <sup>2</sup> [1]
Wire Stripping Length	8,5 mm
Overvoltage Category	III
Pollution Severity Level	3
Rated Voltage	320 V
Rated Impulse Voltage	4 kV
Rated Insulation Voltage	450 V acc. to EN 60998-1
Rated Current	17,5 A (wire 1,5 mm <sup>2</sup> at soldering tag)
Torque	1,2 Nm
Other specifications	Per pole two wires of identical cross-section can be connected.

## Material

Moulding	PA, grey, V-0
Comparative Tracking Index	CTI > 600
Insulating Group	I
Temperature Range	-40°C up to 100°C
Terminal Body	Tin plated brass
Screw	M4; zinc plated steel, blue passivated

## Approvals

	Current [A]	Voltage [V]	Group	AWG	[Nm]
	20	300	B	20 - 12	1,13
	20 10	300 300	B D,E	20 - 12 20 - 12	1,13 1,13

## Options / Accessories

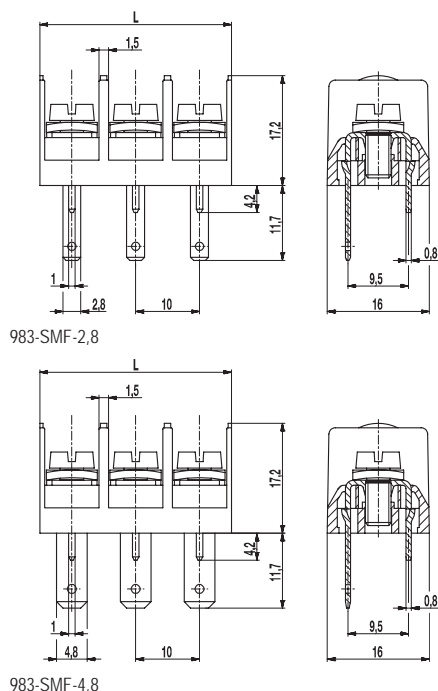
- Consecutive numbering
- Special marking according to drawing
- Self-adhesive marking strip BST-10,00
- Version for printed circuits (with solder connection), see type 983-FS/-FD
- Crosshead screws on request
- Tab versions available instead of screw connections
- Bushing and mounting bases are available upon request
- Housings with backwalls

[1] Screw side

# 983-SMF-2,8/-4,8

PCB connector

Screw connection, with solder pin and tab



983-SMF-2,8

983-SMF-4,8

The PCB connectors 983-SMF-2,8 and 983-SMF-4,8 with a pitch of 10 mm are available in 1- to 12-pole design and can be mounted side-by-side in the nominal pitch.

They are based on our series 983 terminal strips.

The conductor terminal is of head contact design with Screws M4, whereby the screws and square washers are movably connected.

For easier connection, the non-rotably mounted square washers are automatically lifted when the screw is loosened.

On the solder side and the plug-in side they feature one solder pin and one tab connection of 2.8 mm or 4.8 mm width per pole.

This allows current to flow to other components without having to use additional conductor paths.

## Part Numbers

No. of poles	983-SMF-2,8	983-SMF-4,8	Length	PU
1	91.873.803	92.873.803	30,00	100
2	91.873.804	92.873.804	40,00	100
3	91.873.805	92.873.805	50,00	100
4	91.873.806	92.873.806	60,00	100
5	91.873.807	92.873.807	70,00	100
6	91.873.808	92.873.808	80,00	100
7	91.873.809	92.873.809	90,00	50
8	91.873.810	92.873.810	100,00	50
9	91.873.811	92.873.811	110,00	50
10	91.873.812	92.873.812	120,00	50
11	91.873.813	92.873.813	130,00	50
12	91.873.814	92.873.814	140,00	50

## General Information

Pitch	10 mm
No. of poles	1 - 12

## Technical Data

Clamping Range	<i>solid / flexible / AWG</i> 0,5 - 2,5 mm <sup>2</sup> / 0,5 - 2,5 mm <sup>2</sup> / 20 - 12 AWG
Rated Cross Section	2,5 mm <sup>2</sup>
Wire Stripping Length	8,5 mm
Overvoltage Category	III
Pollution Severity Level	3
Rated Voltage	320 V
Rated Impulse Voltage	4 kV
Rated Insulation Voltage	450 V acc. to EN 60998-1
Rated Current	7,5 A: with receptacles 2,8; wire 1 mm <sup>2</sup> (16 AWG) 15 A: with receptacles 4,8; wire 2,5 mm <sup>2</sup> (14 AWG)
Hole in PCB	ø 1,6 mm
Torque	1,2 Nm
Other specifications	Screw-fixing holes ø 3,2 mm. Per pole two wires of identical cross-section can be connected. Indicated rated voltage applies to applications with insulation receptacles.

## Material

Moulding	PA, grey, V-0
Comparative Tracking Index	CTI ≥ 600
Insulating Group	I
Temperature Range	-40°C up to 100°C
Pressure clamp	Tin plated brass
Screw	M4; zinc plated steel, blue passivated
Solder pin	0,8 x 1,0 mm; tin plated brass

## Approvals

	Current [A]	Voltage [V]	Group	AWG	[Nm]
	20	300	B	20 - 12	1,13
	6	300	B, D, E	20 - 12	1,13 [1]
	15	300	B	20 - 12	1,33 [2]
	10	300	D, E	20 - 12	1,33 [2]

[1] for 982-SMF-2,8

[2] for 982-SMF-4,8

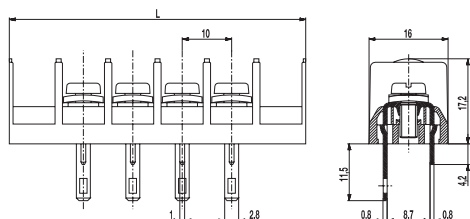
## Options / Accessories

- Consecutive numbering
- Special marking according to drawing
- Self-adhesive marking strip BST-10,00
- Crosshead screws
- Various versions of tabs instead of screw connections

# 983-SML-2,8

PCB connector

Screw connection, with solder pin and solder tag



The PCB connector 983-SML-2,8 with a pitch of 10 mm is available in 1- to 12-pole design and can be mounted side-by-side in the nominal pitch. They are based on our series 983 terminal strips.

The conductor terminal is of head contact design with screws M4, whereby the screws and square washers are movably connected. For easier connection, the non-rotatably mounted square washers are automatically lifted when the screw is loosened.

On the solder side and the plug-in side they feature one solder pin and one soldering tag of 2.8 mm width per pole. This allows current to flow to other components without having to use additional conductor paths.

## Part Numbers

No. of poles	983-SML-2,8	Length	PU
1	94.873.803	30,00	100
2	94.873.804	40,00	100
3	94.873.805	50,00	100
4	94.873.806	60,00	100
5	94.873.807	70,00	100
6	94.873.808	80,00	100
7	94.873.809	90,00	50
8	94.873.810	100,00	50
9	94.873.811	110,00	50
10	94.873.812	120,00	50
11	94.873.813	130,00	50
12	94.873.814	140,00	50

## General Information

Pitch	10 mm
No. of poles	1 - 12

## Technical Data

Clamping Range	<i>solid / flexible / AWG</i> 0,5 - 2,5 mm <sup>2</sup> / 0,5 - 2,5 mm <sup>2</sup> / 20 - 12 AWG
Rated Cross Section	2,5 mm <sup>2</sup>
Wire Stripping Length	8,5 mm
Overvoltage Category	III
Pollution Severity Level	3
Rated Voltage	320 V
Rated Impulse Voltage	4 kV
Rated Insulation Voltage	450 V acc. to EN 60998-1
Rated Current	17,5 A (wire 1.5 mm <sup>2</sup> in soldering tag area)
Hole in PCB	ø 1,6 mm
Torque	1,2 Nm
Other specifications	Fixing holes ø 3,2 mm. Per pole two wires of identical cross-section can be connected.

## Material

Moulding	PA, grey, V-0
Comparative Tracking Index	CTI ≥ 600
Insulating Group	I
Temperature Range	-40°C up to 100°C
Pressure clamp	Tin plated brass
Screw	M4; zinc plated steel, blue passivated
Solder pin	0,8 x 1,0 mm; tin plated brass

## Approvals

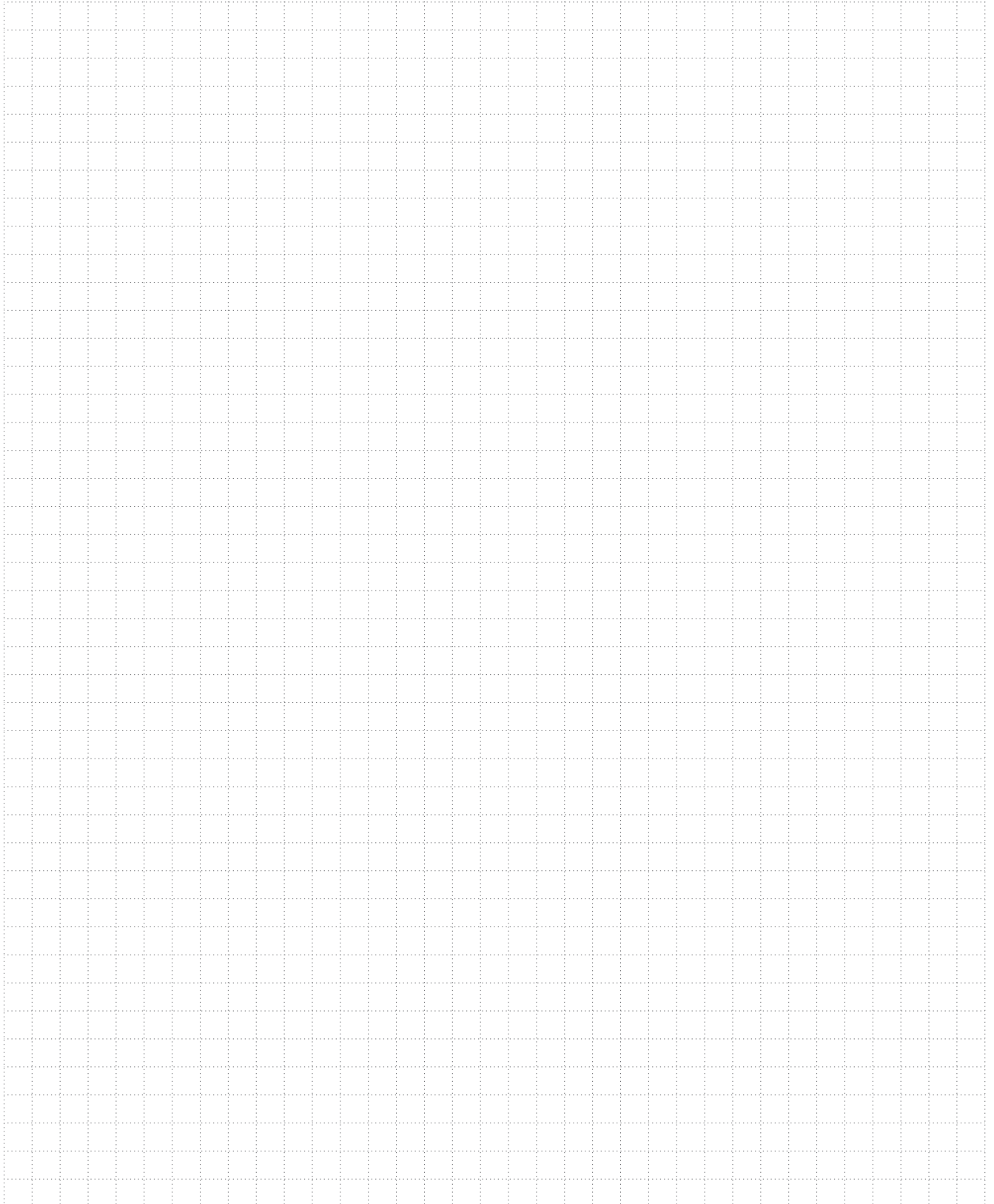
	Current [A]	Voltage [V]	Group	AWG	[Nm]
	20	300	B	20 - 12	1,13
	20	300	B	20 - 12	1,13
	10	300	D, E	20 - 12	1,13

## Options / Accessories

- Consecutive numbering
- Special marking according to drawing
- Self-adhesive marking strip BST-10,00
- Fastening pole position can be freely selected
- Crosshead screws
- Various tab versions available instead of screw connections

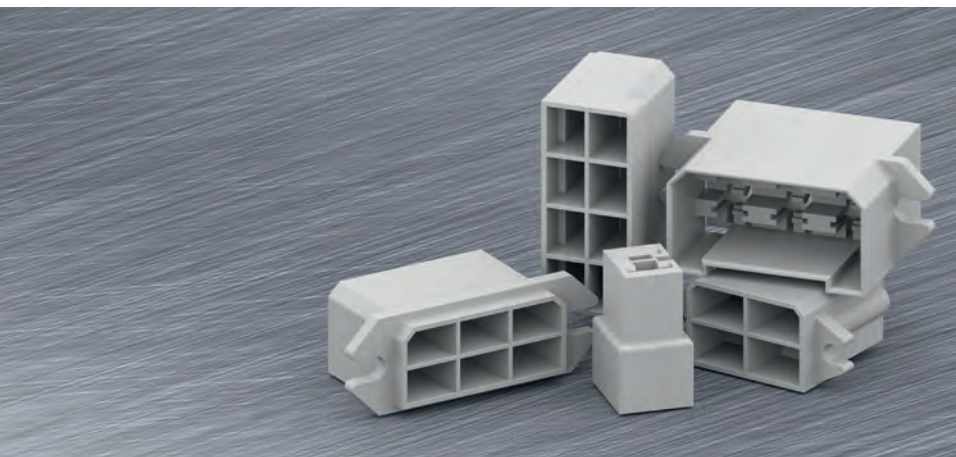
# Notes

---





## Flat plug guides and housings



This section contains flat plug guides and housings.

Tab receptacles and housings of series 411 are suitable for all applications in electrical machines, vehicles, equipment and switchgear.

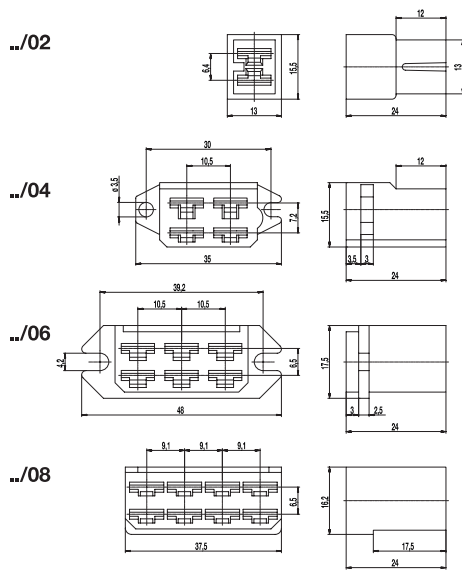
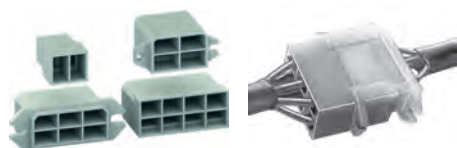
Tab connector or tab receptacle are connected with the terminal lead and inserted into the housing where they latch automatically.

The flat plug guide 440 is used for the insulation of tab connectors with nominal size 6.3.



# 411-B

Plug receptacle  
for tabs 6,3 mm



Series 411 flat plug couplings are suited for electrical machines, vehicles, appliances and switch gear systems.

After crimping the leads, the flat plugs are plugged into the 411-B plug receptacles according to DIN 46340. Index lobes on the metal part lock them into place in the housing.

Subsequently, the housing/plug receptacles combination can now be connected with the 411-S housing equipped with flat plugs resulting in a flat plug coupling suitable in for switch gear applications.

The housing shape prevents false plugging. Pole identifiers are located on the plug openings of the metal parts.

Please note:

Suitable plug receptacles are not included in our product range.

## Part Numbers

No. of poles	411-B	PU
2	10.837.004	1000
4	10.837.006	1000
6	10.837.002	500
8	10.837.008	500

## Part numbers: "no flame" acc. to glow-wire test

No. of poles	411-B	PU
6	10.837.002.EN6	500

further number of poles on request

## General Information

No. of poles	2, 4, 6, 8
Usable with	Flat plug housing 411-S
Areas of application	for electrical machines, vehicles, appliances and switch gear systems

## Technical Data

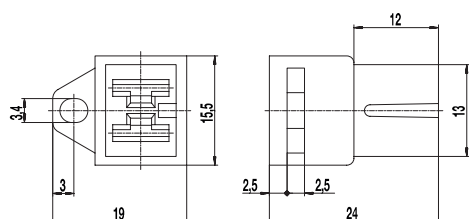
Rated Cross Section	6,0 mm <sup>2</sup> / 10 AWG
Overvoltage Category	II
Pollution Severity Level	2
Rated Voltage	400 V
Rated Impulse Voltage	4 kV
Rated Current	20 A: with receptacle 6,3; wire 6,0 mm <sup>2</sup> (10 AWG)

## Material

Moulding	PA, natural, V-2 (PA, white, V-0) Details in round brackets apply for "no flame" products
Comparative Tracking Index	CTI ≥ 600
Insulating Group	I
Temperature Range	-40°C up to 100°C

# 411-BML

Plug receptacle  
with fastening flanges, for receptacle for tabs 6,3



Series 411 flat plug couplings are suited for electrical machines, vehicles, appliances and switch gear systems.

After crimping the leads, the flat plugs are plugged into the 411-BML plug receptacles according to DIN 46340.

Index lobes on the metal part lock them into place in the housing.

Subsequently, the housing/plug receptacles combination can now be connected with the 411-S housing equipped with flat plugs resulting in a flat plug coupling suitable in for switch gear applications.

The housing shape prevents false plugging.

Pole identifiers are located on the plug openings of the metal parts.

The housing side is equipped with an additional mounting lug.

Please note:

Suitable plug receptacles are not included in our product range.

## Part Numbers

No. of poles	411-BML	PU
2	10.837.011	1000

## General Information

No. of poles	2
Usable with	Flat plug housing 411-S
Areas of application	for electrical machines, vehicles, appliances and switch gear systems

## Technical Data

Rated Cross Section	6,0 mm <sup>2</sup> / 10 AWG
Overvoltage Category	II
Pollution Severity Level	2
Rated Voltage	400 V
Rated Impulse Voltage	4 kV
Rated Current	20 A: with receptacle 6,3; wire 6,0 mm <sup>2</sup> (10 AWG)

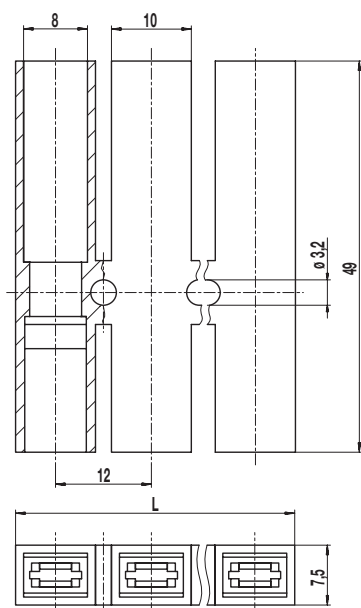
## Material

Moulding	PA, natural, V-2
Comparative Tracking Index	CTI ≥ 600
Insulating Group	I
Temperature Range	-40°C up to 100°C



# 440-PA

Flat plug guide  
for tab connections 6,3 mm



Flat plug guides 440-PA are used for insulating flat plug connections of nominal size 6,3.

During assembly, a latch locks the flat plug into place in the housing. The tab receptacle can then be plugged onto the plug.

All along the plug guide, the plug contact is completely insulated.

## Part Numbers

No. of poles	440-PA	Length	A *	PU
1	20.830.011	10,00		15 000
2	20.830.012	22,00		1000
3	20.830.013	34,00	12,00	500
4	20.830.014	46,00	24,00	500
5	20.830.015	58,00	36,00	100
6	20.830.016	70,00	48,00	100
7	20.830.017	82,00	60,00	100
8	20.830.018	94,00	72,00	100
9	20.830.019	106,00	84,00	100
10	20.830.020	118,00	96,00	70
11	20.830.021	130,00	108,00	60
12	20.830.022	142,00	120,00	60

\* = Distance of the two outermost mounting holes

## General Information

Pitch	12 mm
No. of poles	1 - 12

## Technical Data

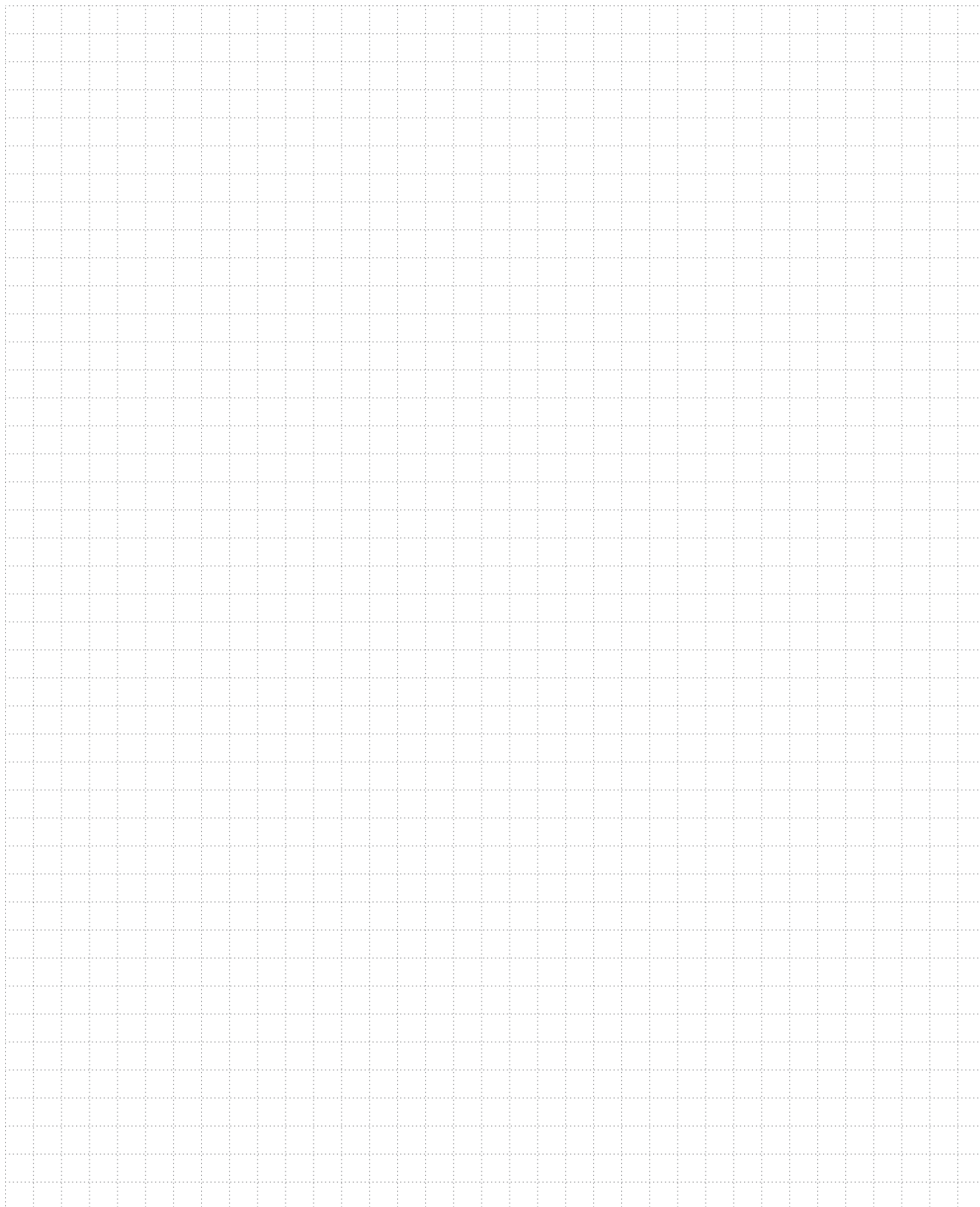
Clamping Range	<i>solid / flexible / AWG</i> 6,0 mm <sup>2</sup> / 10 AWG
Overvoltage Category	III
Pollution Severity Level	2
Rated Voltage	630 V
Rated Impulse Voltage	6 kV
Rated Current	20 A: with receptacle 6,3; wire 6,0 mm <sup>2</sup> (10 AWG)

## Material

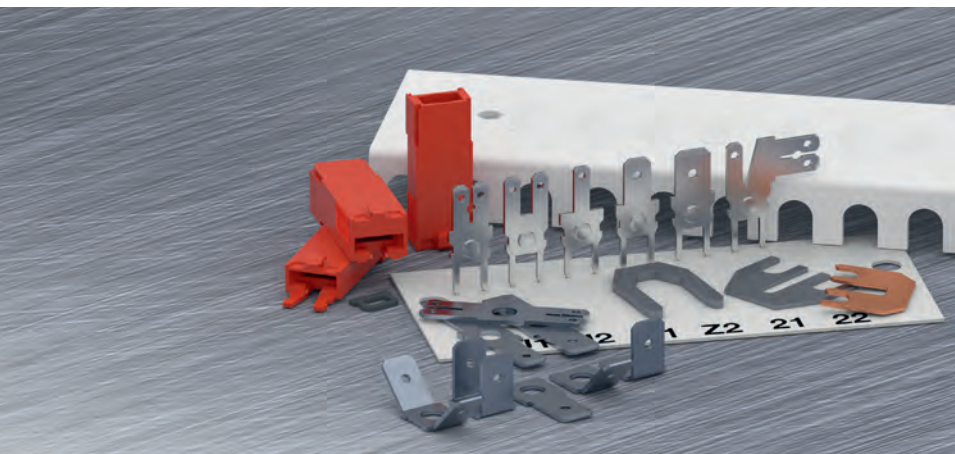
Moulding	PA, natural, V-2
Comparative Tracking Index	CTI ≥ 600
Insulating Group	I
Temperature Range	-40°C up to 100°C

# Notes

---



## Accessories



In this section you will find our accessories to the previous products.

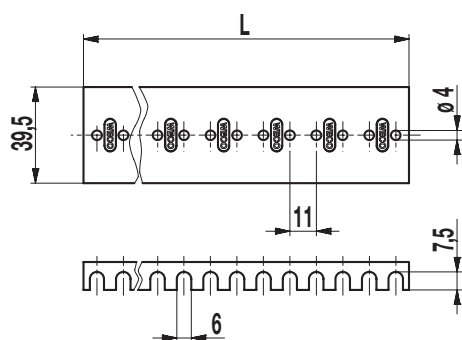
In addition to marking strips for series 307/3070, series 422 to 426 and series 982/983, see this section for our range of individual tabs, washers, cover caps and jumpers for our Series 307/3070.

The marking strips are fastened together with the terminal blocks on or under the housing.

By default the designation strips are supplied unmarked. Upon request we provide a label according to your specifications. A later inscription can, for example, be done with felt-tip pen, ink or stamp paint before or after assembly of the terminal strip.

## 3070-B1/-B2

Cover cap  
Accessories



Caps 3070-B.. cover series 307/3070 connector blocks.

The tab receptacle crimping points protrude the housing by approx. 6 mm. When using our insulation sleeves, the cover caps completely insulate the connectors. Depending on the number of poles, one or two BEF-3070 securing pins are required. After wiring, the pins are inserted through the mounting holes into the tubular rivets of the package. By pulling out the pins with a tool, the cap can be removed.

ORDERING NOTE:

..B1 = 1 mounting holes

..B2 = 2 mounting holes

### Part Numbers

No. of poles	3070-B1	3070-B2	Length	PU
2	10.891.028	10.891.017	24,00	800
3	10.891.018	10.891.031	35,00	600
4		10.891.019	46,00	400
5		10.891.020	57,50	112
6		10.891.021	68,50	100
7		10.891.022	79,50	80
8		10.891.023	90,50	72
9		10.891.024	101,50	64
10		10.891.025	113,00	64
11		10.891.026	124,00	20
12		10.891.027	135,00	20

further number of poles on request

### General Information

Pitch	11 mm
No. of poles	2 - 12
Usable with	connector blocks 307-PCF; 3070-PCM
Additional Information	For one-tier poles, securing pins BEF-3070-21 are available, for multi-tier poles securing pins BEF-3070-18 are provided.

### Material

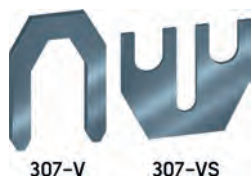
Moulding	PA, natural, V-2
Temperature Range	-40°C up to 100°C

### Options / Accessories

- Securing pin BEF-3070

# 307-V/-VS

Jumpers  
Accessories

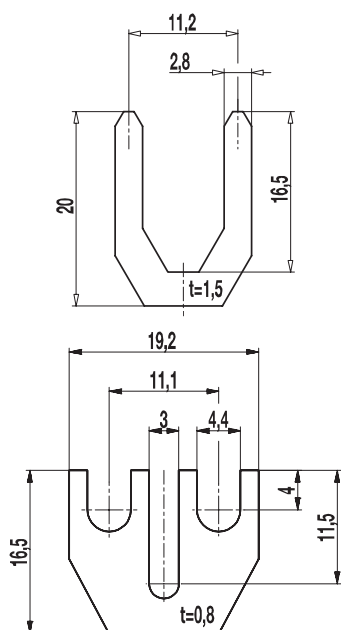


## General Information

Usable with Tab/screw connector blocks 307-PCF; 3070-PCM

## Material

Jumpers Nickel plated brass



Jumper 307-V is designed for the tab/screw connectors of series 307-PCF and 3070-PCM. By pushing them into to the tubular rivets from the top, it connects two adjacent poles to an impeccable electrical contact. This jumper cannot be used in combination with the cover caps.

Jumper 307-VS also connects two adjacent screw connections from the side (not SAK-types). Jumpers are made of nickel-plated brass and are supplied loose.

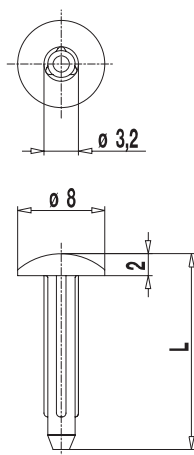
## Part Numbers

No. of poles	307-V	307-VS	PU
1	10.451.007	10.454.001	10 000



# BEF-3070-18/-21

Securing pins  
Accessories



Securing pins BEF-3070 fasten cover cap 3070-B on tab/screw connector blocks of series 307-PCF und 3070-PCM.

Depending on the number of poles, one or two securing pins BEF-3070 are required. After the wiring, the pins are inserted through the mounting holes into tubular rivets of the package. By pulling out the pins with a tool, the cap can be removed.

For one-tier poles, securing pins BEF-3070-21 are available, for multi-tier poles securing pins BEF-3070-18 are provided.

## Part Numbers

No. of poles	BEF-3070-18	BEF-3070-21	Length	PU
1	10.476.002	10.476.006	18,00 / 21,00	10 000

## General Information

Usable with Tab/screw connector blocks 307-PCA/-PCF and 3070-PCM

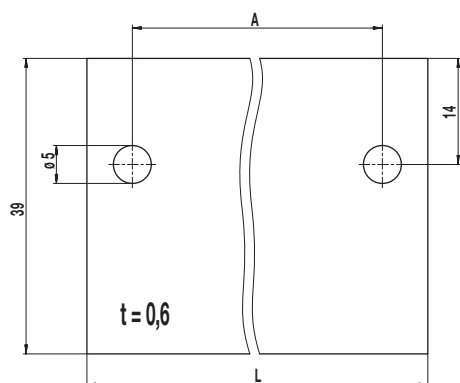
## Material

Moulding PA, natural, V-2

Temperature Range -40°C up to 100°C

# BST-307

Marking strip  
Accessories



Marking strip BST-307 is available for our tab/screw connector blocks 307 and 3070 in 2- to 12-pole design.

They are made of matt white, hard PVC with a thickness of 0,6 mm.

Marking strips are attached on the housing bottom of the connector, where holes are provided in the respective locations.

The marking strip protrudes the connector by approx. 7 mm and therefore offers large marking space.

As standard, the marking strip is delivered without markings. Prior to or after the assembly of the connector, the strips can be marked with e.g. felt markers, ink pens or stamps. Special marking strips with customer-specific marking (letter size approx. 4 mm) are available upon request.

## Part Numbers

No. of poles	BST-307	Length	A *	PU
2	10.495.032	42,00	33,00	500
3	10.495.033	53,00	44,00	500
4	10.495.034	64,00	55,00	500
5	10.495.035	75,00	66,00	500
6	10.495.036	86,00	77,00	500
7	10.495.037	97,00	88,00	250
8	10.495.038	108,00	99,00	250
9	10.495.039	119,00	110,00	250
10	10.495.040	130,00	121,00	250
11	10.495.041	141,00	132,00	250
12	10.495.042	152,00	143,00	200

\* = Distance of the two outermost mounting holes

## General Information

No. of poles	2 - 12
Usable with	Tab/screw connector blocks 307, 3070

## Material

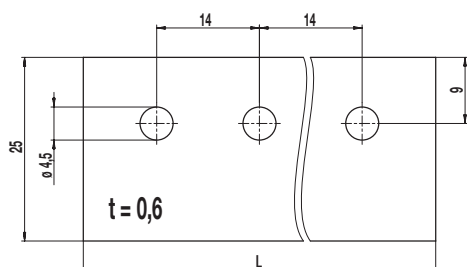
Moulding	Hard PVC, white, mat
Temperature Range	up to 80°C

## Options / Accessories

- Consecutive numbering
- Special marking according to drawing

## BST-42..

Marking strips  
Accessories



Marking strips BST-422 to BST-426 for tab/screw connector blocks 422, 423, 424 and 426 are available in 2-, 4- and 6-pole design.

They are made of matt white, hard PVC with a thickness of 0,6 mm.

Marking strips are attached on the housing bottom of the connector, where holes are provided in the respective locations.

Der Bezeichnungsstreifen steht unter der Leiste um etwa 7 mm vor und bietet so eine große Beschriftungsfläche.

Standardmäßig wird er unbeschriftet geliefert. Die Beschriftung erfolgt z.B. mit Filzschreiber, Tusche oder Stempelfarbe vor oder nach der Montage der Klemmleiste. Als Sonderausführung sind auch kundenspezifische Beschriftungen möglich (Schrifthöhe ca. 4 mm).

Ordering note:

For the variable placeholder („..“) in the type designation, please enter the corresponding number of poles. Example: BST-423 for a 3-pole variant.

### Part Numbers

No. of poles	BST-42..	Length	PU
2	10.495.026	20,00	500
3	10.495.027	34,00	500
4	10.495.028	48,00	1000
6	10.495.030	76,00	1000

### General Information

Pitch	14 mm
No. of poles	2 - 4, 6
Usable with	Tab/screw connector block series 422-426

### Material

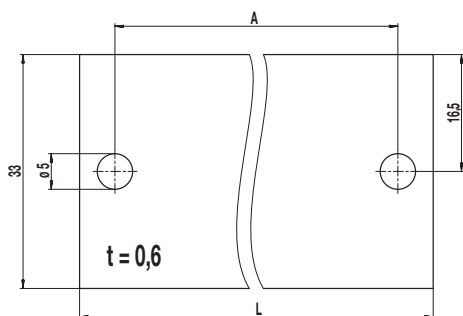
Moulding	Hard PVC, white, mat
Temperature Range	up to 80°C

### Options / Accessories

- Consecutive numbering
- Special marking according to drawing

## BST-983-F

Marking strip  
Accessories



Marking strip BST-983-F is available for our tab/screw connector blocks 982-F and 983-F in 2- to 24-pole design.

They are made of matt white, hard PVC with a thickness of 0,6 mm.

Marking strips are attached on the housing bottom of the connector, where holes are provided in the respective locations.

The marking strip protrudes the connector by approx. 11 mm and therefore offers large marking space.

As standard, the marking strip is delivered without markings. Prior to or after the assembly of the connector, the strips can be marked with e.g. felt markers, ink pens or stamps. Special marking strips with customer-specific marking (letter size approx. 4 mm) are available upon request.

### General Information

No. of poles	2 - 24
Usable with	Tab/screw connector blocks 982-F, 983-F

### Material

Moulding	Hard PVC, white, mat
Temperature Range	up to 80°C

### Options / Accessories

- Consecutive numbering
- Special marking according to drawing

### Part Numbers

No. of poles	BST-983-F	Length	A *	PU
2	12.495.111	40,00	30,00	1000
3	13.495.111	50,00	40,00	1000
4	14.495.111	60,00	50,00	1000
5	15.495.111	70,00	60,00	1000
6	16.495.111	80,00	70,00	1000
7	17.495.111	90,00	80,00	500
8	18.495.111	100,00	90,00	500
9	19.495.111	110,00	100,00	500
10	20.495.111	120,00	110,00	500
11	21.495.111	130,00	120,00	500
12	22.495.111	140,00	130,00	500
13	23.495.111	150,00	140,00	250
14	24.495.111	160,00	150,00	250
15	25.495.111	170,00	160,00	250
16	26.495.111	180,00	170,00	250
17	27.495.111	190,00	180,00	250
18	28.495.111	200,00	190,00	250
19	29.495.111	210,00	200,00	250
20	30.495.111	220,00	210,00	250
21	31.495.111	230,00	220,00	250
22	32.495.111	240,00	230,00	250
23	33.495.111	250,00	240,00	250
24	34.495.111	260,00	250,00	250

\* = Distance of the two outermost mounting holes

# GST-900

Tabs  
Accessories



This tabs for printed circuits with a thickness of 0,8 mm are used to connect receptacles for tabs, size 2,8, 4,8 and 6,3 according to DIN 46 247. Depending on their scope of application they are available with vertical and/or parallel outgoing wires. Insulation of the receptacles for taps can be achieved with our ISO insulating sleeves.

## Technical Data

Rated Current	Tab 2,8: 6 A
	Tab 4,8: 16 A
	Tab 6,3: 25 A
	please see DIN 46 249

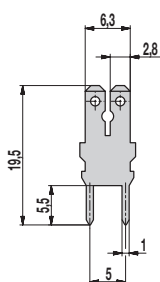
## Material

Tab	Tin plated brass, thickness 0,8 mm
-----	------------------------------------

## Options / Accessories

- Insulation receptacles
- GST-900-S tab with press-in pins

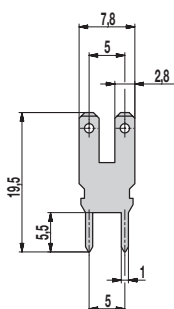
## Versions



### GST-900-S

Tab  
1x 6,3 mm / 2x 2,8 mm

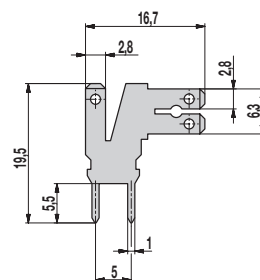
For a non-insulated  
2,8 mm or an 6,3 mm  
receptacle for tabs



### GST-900-SH

Tab 2x 2,8 mm

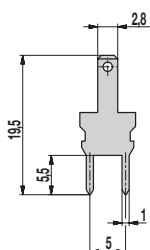
2 non-insulated  
2,8 mm receptacles for  
tabs fit next to each other



### GST-900-W

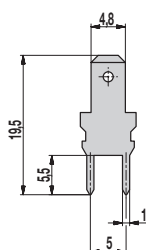
Tab 1x 2,8 mm  
1x 6,3 mm / 2x 2,8 mm

For a non-insulated  
2,8 mm or an 6,3 mm  
receptacle for tabs



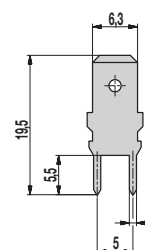
### GST-900-SUB

Tab 2,8 mm



### GST-900-SUC-4,8

Tab 4,8 mm



### GST-900-SUN

Tab 6,3 mm

## Part Numbers

Type	Part Numbers	PU
GST-900-S	10.351.107	on request
GST-900-SH	10.351.111	on request
GST-900-SUB	10.371.106	on request
GST-900-SUC-4,8	10.361.108	on request
GST-900-SUN	10.351.113	on request
GST-900-W	10.351.109	on request

# GST

Tabs for equipment  
for plugged-in receptacles 2x 2,8/6,3; 4,8 and 6,3 DIN 46247



## Technical Data

Rated Current	6 A: with receptacle 2,8; wire 1,0 mm <sup>2</sup> (16 AWG) 16 A: with receptacle 4,8; wire 2,5 mm <sup>2</sup> (14 AWG) 25 A: with receptacle 6,3; wire 6,0 mm <sup>2</sup> (10 AWG)
---------------	---

## Material

Tab	Nickel plated brass
-----	---------------------

## Options / Accessories

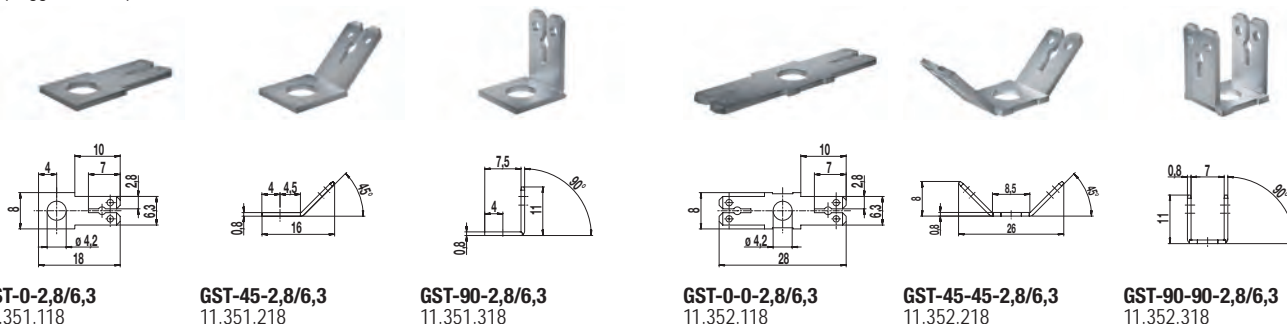
- Also available as tab connector mounted on series 307/3070 and 983-F

These tab connectors are directly mounted onto the equipment, e.g. as ground connection.  
They are suitable for tab receptacles according to DIN 46247, with nominal widths 2,8; 4,8; 6,3 x 0,8.

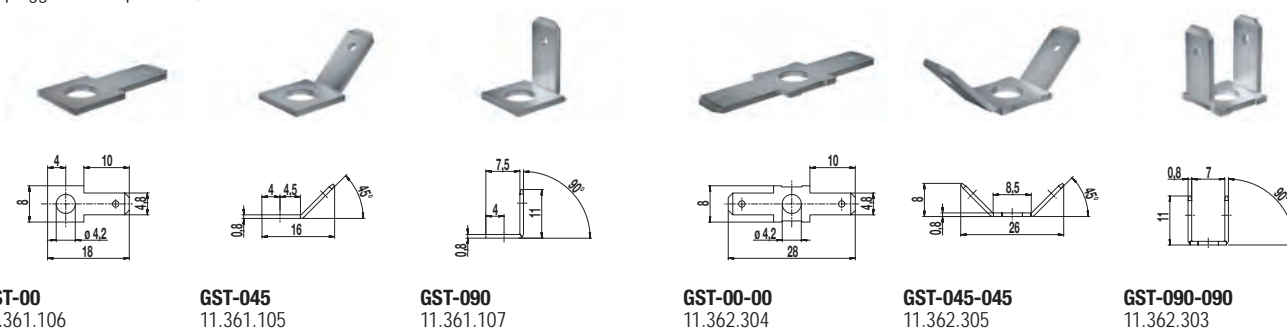
The packaging unit for all tab connectors is 1.000 pieces.

## Versions

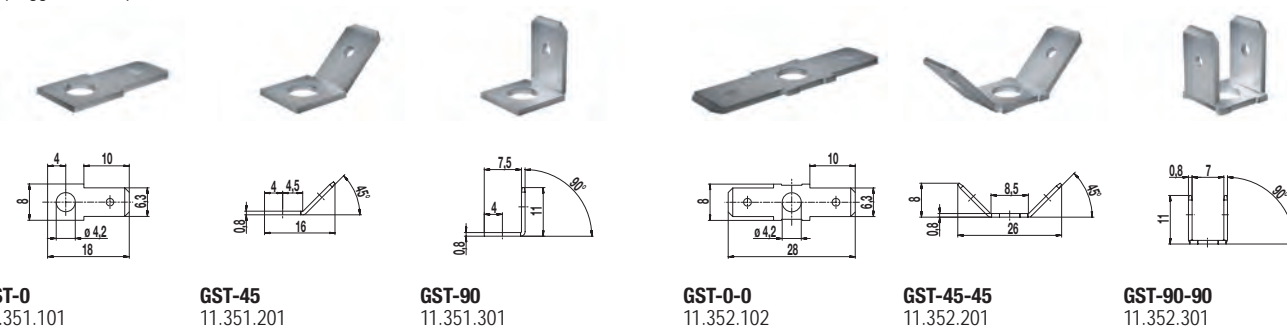
for plugged-in receptacles 2,8/6,3



for plugged-in receptacles 4,8



for plugged-in receptacles 6,3



# GST-S

Tabs for equipment  
for plugged-in receptacles 2x 2,8/6,3; 4,8 and 6,3 DIN 46247, with screw connection



## Technical Data

Rated Cross Section	4 mm <sup>2</sup> (1,5 mm <sup>2</sup> SAK-Version)
Rated Current	6 A: with receptacle 2,8; wire 1,0 mm <sup>2</sup> (16 AWG) 16 A: with receptacle 4,8; wire 2,5 mm <sup>2</sup> (14 AWG) 25 A: with receptacle 6,3; wire 6,0 mm <sup>2</sup> (10 AWG)
Torque	1,2 Nm

## Material

Tab	Nickel plated brass
Screw	M4x6; Zinc plated steel, blue passivated

## Options / Accessories

- Tab connectors also available with spring lock washer, washer and M4x8 screw
- Also available as tab connector mounted on series 307/3070 (including type 983-F)

These tab connectors are directly mounted onto the equipment, e.g. as ground connection.

They are suitable for tab receptacles according to DIN 46247, with nominal widths 2,8; 4,8; 6,3 x 0,8.

Contrary to standard tab connectors, this equipment tab connector have an additional screw connection with one M4x6 screw according to EN ISO 1580. "-SAK" types feature a laterally raised edge preventing incorrect wire insertion. For screw connections without SAK, the wires must be protected from wire offset when fastening the screw.

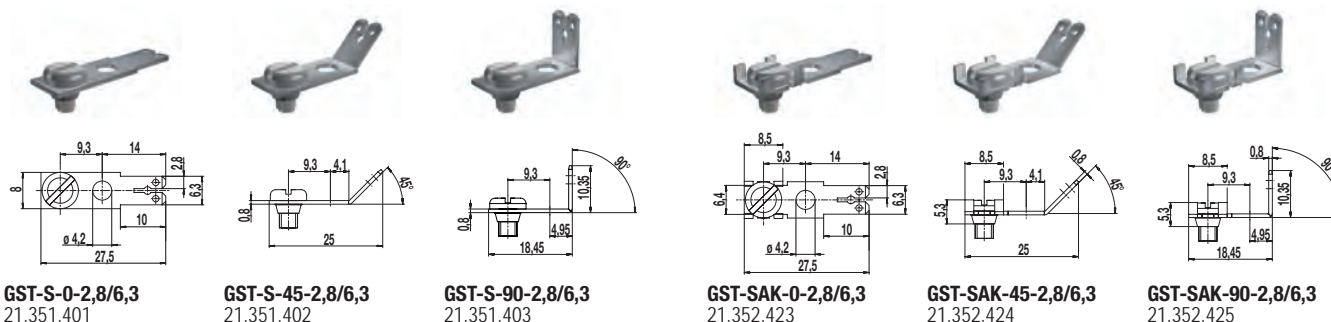
The packaging unit for all tab connectors is 1.000 pieces.

### ADDITIONAL INFORMATION:

Flexible and stranded wires require the use of ferrules and/or cable lugs.

## Versions

for plugged-in receptacles 2,8/6,3



**GST-S-0-2,8/6,3**  
21.351.401

**GST-S-45-2,8/6,3**  
21.351.402

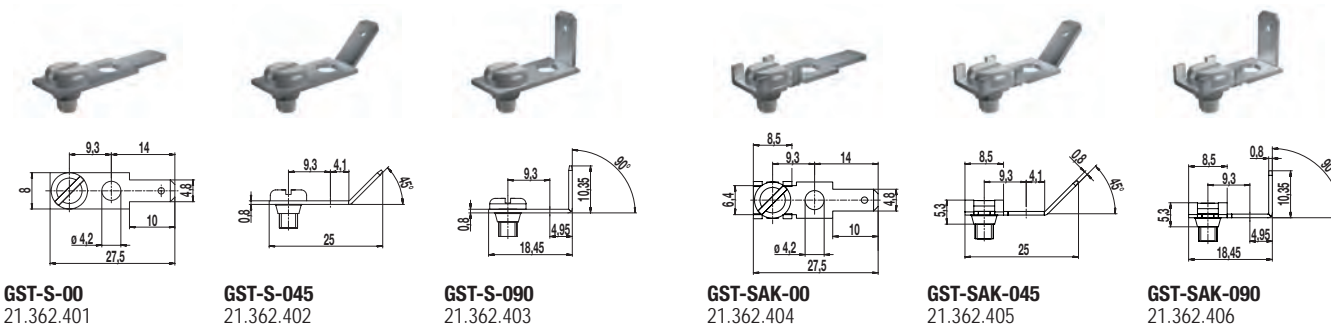
**GST-S-90-2,8/6,3**  
21.351.403

**GST-SAK-0-2,8/6,3**  
21.352.423

**GST-SAK-45-2,8/6,3**  
21.352.424

**GST-SAK-90-2,8/6,3**  
21.352.425

for plugged-in receptacles 4,8



**GST-S-00**  
21.362.401

**GST-S-045**  
21.362.402

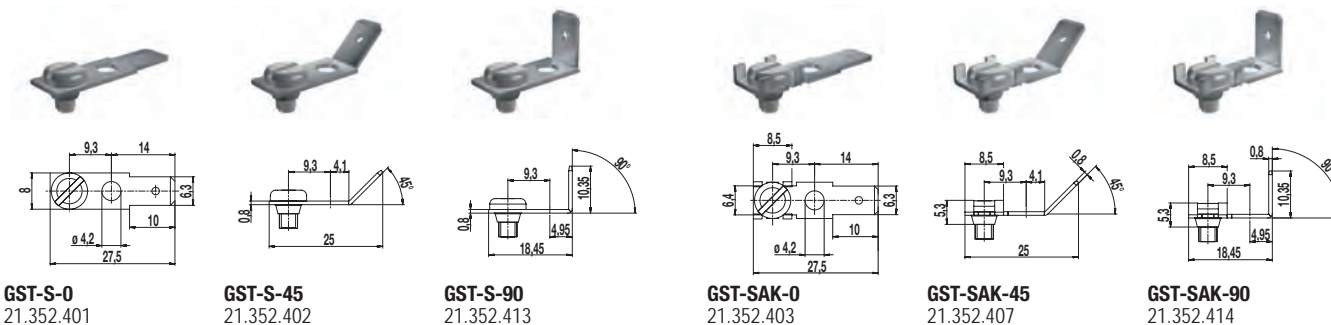
**GST-S-090**  
21.362.403

**GST-SAK-00**  
21.362.404

**GST-SAK-045**  
21.362.405

**GST-SAK-090**  
21.362.406

for plugged-in receptacles 6,3



**GST-S-0**  
21.352.401

**GST-S-45**  
21.352.402

**GST-S-90**  
21.352.413

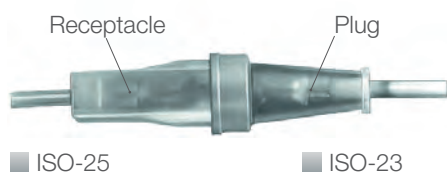
**GST-SAK-0**  
21.352.403

**GST-SAK-45**  
21.352.407

**GST-SAK-90**  
21.352.414

# ISO

## Insulation receptacles Accessories



■ ISO-25

■ ISO-23



Mounting example

The insulation receptacles, made of polyethylene, are available in various sizes. Receptacles for tabs according to DIN 46 247 are fully insulated (including the crimped point) with insulation receptacles. Prior to crimping, they are pushed onto the wire end and are therefore captive. They can also be used to insulate crimped plug-in receptacles and cable sockets.

### General Information

**Additional Information** By means of using both ISO-23 (tab connector side) and ISO-25 insulation receptacles, a 6,3 mm cross-section cable connection can be completely insulated (see figure).

### Material

**Moulding** PE, natural  
**Temperature Range** approx. up to 50°C

### Options / Accessories

- Insulation receptacles in other colours on request

### Part numbers

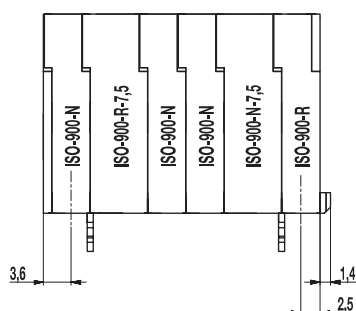
Part numbers	Type	Colour	Nom. Size	Cross-section*	Length x width x height	Pcs
10.838.001	ISO-110-PEN	natural	2,8	up to 1 mm <sup>2</sup> (16 AWG)	19,5 x 5,5 x 3,5 mm	10 000
10.838.011	ISO-187-PEN	natural	4,8	up to 1,5 mm <sup>2</sup> (16 AWG)	21 x 8 x 4,5 mm	10 000
10.838.006	ISO-23-PEN	natural	6,3	up to 2,5 mm <sup>2</sup> (14 AWG)	23 x 12,5 x 8,5 mm	10 000
10.838.013	ISO-25-PEN	natural	6,3	up to 2,5 mm <sup>2</sup> (14 AWG)	25 x 9,5 x 5 mm	10 000
10.838.009	ISO-250-PEN	natural	6,3	up to 4 mm <sup>2</sup> (12 AWG)	25 x 9,5 x 6 mm	10 000

\* Since cable diameters vary, cross-sections are only reference values.



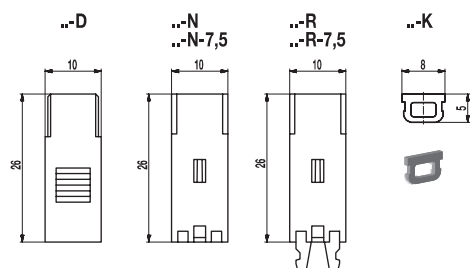
# ISO-900

Insulation sockets  
Accessories



Mounting example

## Versions



- Version D: Cover
- Version N: Standard insulation socket
- Version R: Insulation socket with snap-fits
- Version K: Coding keys to block empty chambers

ISO-900 insulation sockets are used to insulate double spring contacts. They are single pole and can be mounted side-by-side in 5 mm and 7,5 mm pitch. Apart from the standard insulation sockets ISO-900-N and ISO-900-N-7,5, type ISO-900-R and ISO-900-R-7,5 with a latching hook are available to provide additional locking strength against accidental withdrawal. These latching hooks snap in the empty receptacles of tab connectors 900-S and 900-SUN. The cover ISO-900-D is used as contact protection for the last pole. Insulation sockets with latching hooks and ISO-900-K coding keys allow contacting the sockets. They are inserted into the empty slots of the tab connector, in which no insulation socket with latching hook is allocated, thus preventing incorrect connections.

## Part Numbers

Type	Part Numbers	PU
ISO-900-D	25.838.106	1000
ISO-900-N	10.838.104	1000
ISO-900-N-7,5	10.838.105	1000
ISO-900-R	20.838.107	1000
ISO-900-R-7,5	10.838.108	1000
ISO-900-K	10.496.021	1000

## General Information

Pitch	5 mm / 7,5 mm
Usable with	Tab connectors 900-S, 900-SUN and 900-SUC
Additional Information	When accurately positioned in the socket, the double-spring contacts audibly snap into place. These metal parts are not part of our product range. They can be used e.g. for TYCO timer contacts (no. 925598-1).

## Material

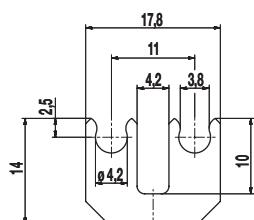
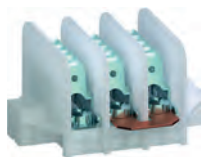
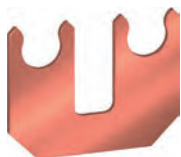
Moulding	PA, red, V-0
Comparative Tracking Index	CTI ≥ 600
Insulating Group	I
Temperature Range	-40°C up to 100°C

## Options / Accessories

- Special marking according to drawing
- ISO-900 insulation sockets can be provided as multipole combinations. Please enclose a drawing.
- Spacer 5 mm, with plug-in protection (ISO-900-NZ)

# VB-308

Jumper  
Accessories



t=0,7

## Part Numbers

No. of poles	VB-308	PU
1	50.451.010	1000

## General Information

Pitch	11 mm
Usable with	Distribution blocks series 308 with screw connection

## Technical Data

Other specifications	When using please consider the altered clearance and creepage distances.
----------------------	--

## Material

Jumpers	Copper, blank
---------	---------------

# Coding systems

## Coding keys ISO-900-K

Coding keys ISO-900-K are used for the coding of our tab connectors 900 series.  
Depending on the pitch, tab connector

strips feature minimum one empty pole cavity between each corresponding tab connector. This cavity can house coding key ISO-900-K, thus allowing

for coding in insulating sockets with latching hooks.



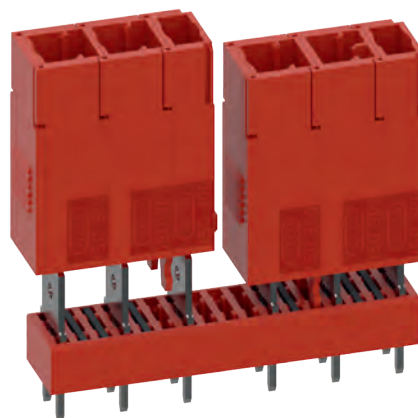
Part number	Type	Colour	PU
10.496.021	ISO-900-K KODIERPLAETTCHEN	■ grey	100

### Usable with:

Tab connector: Series 900  
Insulation sockets: ISO-900

### Coding examples

Tab connector 900-SUN-MIX2/06-KOD



Tab connector  
900-SUN-MIX2/06-  
KOD

# Marking

WECO offers marking of individual connections for nearly all terminals and products.

## Marking strips

Self-adhesive marking strips consist of polyester with black print on silver background. They are scratch-proof and surface-sealed with Mylar.

The numbering begins with „1“. The last digit represents the indicated number of poles.

The marking strips withstand PC board

cleaning processes using water and soap, Freon, fluorinated or chlorinated cleaning agents. However, they are not reflow-capable and should therefore only be mounted after the reflow soldering process.

Marking strips are delivered in ten strips per sheet.



Part number	Type	Marking	Pitch	Length (L)	Width (a)	PU
24.499.013	BST-3,50/24	1 2 3 ... 24	3,50 mm	84 mm	3 mm	100
24.499.009	BST-5,00/12	1 2 3 ... 12	5,00 mm	60 mm	3,5 mm	100
24.499.010	BST-5,00/32	1 2 3 ... 32	5,00 mm	160 mm	3,5 mm	100
24.499.006	BST-5,08/12	1 2 3 ... 12	5,08 mm	61 mm	3,5 mm	100
24.499.007	BST-5,08/32	1 2 3 ... 32	5,08 mm	162 mm	3,5 mm	100
24.499.012	BST-7,50/19	1 2 3 ... 19	7,50 mm	141 mm	3,5 mm	100
24.499.011	BST-10,00/16	1 2 3 ... 16	10,00 mm	155 mm	3,5 mm	100
24.499.008	BST-10,16/16	1 2 3 ... 16	10,16 mm	157 mm	3,5 mm	100

## InkJet printing

As an alternative to self-adhesive marking strips, we also offer markings according to your specific requirements. Our products are marked by means of inkjet printers. Micro-sized ink droplets are shot accurately to the point and guided by an electric field thus creating the high-precision print – very much like a printed pattern generated by a common matrix printer. This process is fast, easy-to-use and reprogrammable. However, this printing process comprises of the contour precision of the print. In addition to numbers and letters, special characters can also be printed. The inkjet print features tried and tested scratch- and wipe-resistance.

Standard marking for PCB connectors comes in either black or white - depending on the housing colour. The marking is printed on given surfaces.

Markings for our connectors featured in catalogue 7 are printed in black. Markings may be printed in two locations: either on or between the screw guides (for series 302 only on the screw guides).

Alternatively, WECO offers for special colours pad printed markings. Due to the elaborate handling it makes this printing method, however, significantly more expensive.



*InkJet printing  
(graphic illustration)*

# Packaging

As standard, we deliver our products packaged in eco-friendly folding boxes made of cardboard or corrugated board.



In order to ensure efficient automated assembly and subsequent soldering of our components, WECO offers various component packaging systems, such as

## Tape-on-Reel



These carrier tapes on reels are suitable for most SMD and THR components. They feature blisters and are sealed with a cover film.

WECO offer reels in different widths of 24 mm, 32 mm, 44 mm, 56 mm, 72 mm or 88 mm.

## Trays



WECO also offers trays as another option for automated component assembly. The flat trays feature component pockets, they are stackable and ensure sufficiently large component supply.

## Bar magazines



Our 550 mm bar magazines have various geometries which are tailored to the individual component size and shape. Both magazine ends are closed with a plug that is easy to remove.

Delivered in cardboard folding boxes, bar magazines are easy to unpack.

When assembling components from tape-on-reels or trays, the placement head vacuum-picks the component from the tape or the tray, verifies the position by means of a camera system, calculates angle and position offset to the nominal position and places the component onto the PC board. After all components have been placed, a conveyor system transports the assembled PC board downstream.



All three component packaging types use anti-static materials to avoid problems with electrostatic discharges (ESD).

## Other options

### Moulding colours

WECO offers a multitude of various moulding colours.

In addition to our standard colours charcoal grey, black, vermilion and natural other moulding colours are also possible.

Please contact us for further information, we look forward to assisting you.

#### Standard colours



#### Special colours



#### Standard colours for SMD & THR products



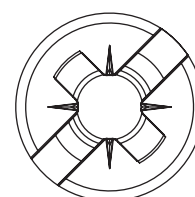
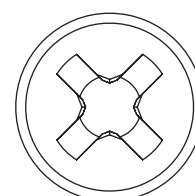
### Screws

We use standard slotted-head screws for our products.

Upon inquiry and specific customer request, we also offer screws with Phillips/ Pozidriv or +/- screw heads.

Other materials:

Our products are predominantly equipped with steel screws. Upon request, screws made of alternative materials, such as brass, are also available.



# Soldering processes

As a principle, soldering electrically and mechanically connects electronic components to printed circuits forming a subassembly.

The solder contributes essentially to the operational reliability of an assembly. Among the various soldering methods, such as reflow soldering and wave soldering, Surface-Mount-Technology

(SMT) using reflow soldering is the most common and cost-efficient process.



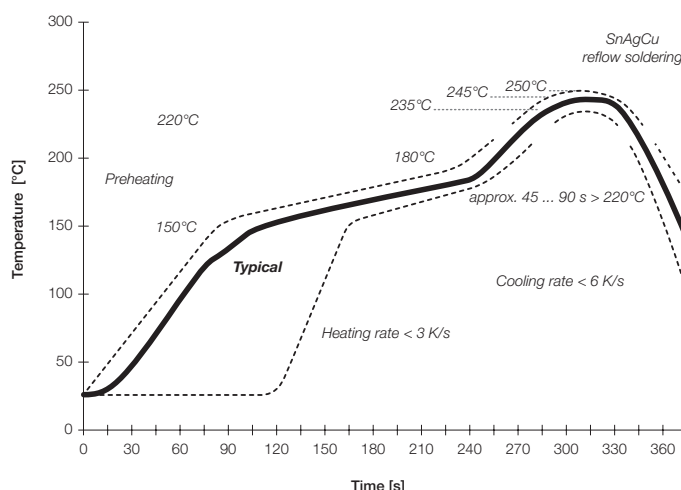
The shown tables represents two solder temperature profiles compliant with EN 61760-1. Due to the various customer-specific parameters (e.g. soldering system, solder paste, component arrangement and orientation) the profiles are only recommendations and should be used accordingly.

## Reflow soldering

During the reflow soldering process, printed circuit boards assembled with SMD and THR components, are passed at a constant speed through various heating zones of a furnace (preheating, reflow soldering and furnace cooling).

In contrast to wave soldering, components and their plastic packages are exposed to the same temperatures as the metallic contacts to be soldered.

Electrical components, printed circuit boards and solder joints are heated either by infrared, convection or a vapor phase processes. In order to avoid oxidation of the solder pads on the printed circuit, this process can also be conducted under inert atmosphere.

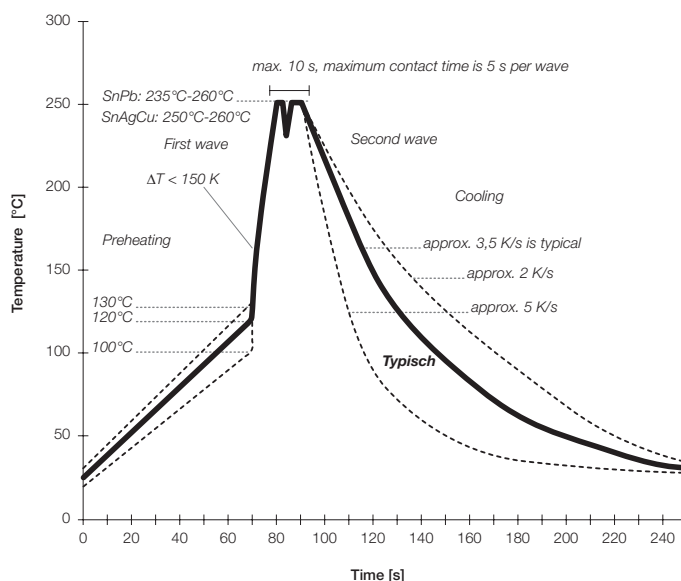


## Wave soldering

Wave soldering processes are suitable for soldering conventional components.

A conveyor system moves the PCB through the soldering system at a constant speed. Upstream in the wave soldering system, the PCB and its components pass through the fluxer. Downstream in the preheating zone, the solvents contained in the fluxer are vaporized thus activating the flux.

Liquid solder is continuously pumped flowing over edges, through holes or into gaps, forming a wave of solder. This solder wave conveys and wets the underside of the printed circuit. Capillary forces raise the solder through the space between hole and component lead (solder pin) forming the characteristic solder meniscus.





# Technical Information

## Rating of clearance and creepage distances according to DIN EN 60664-1 (VDE 0110-1)

The rating of clearance and creepage distances depends on the expected electrical surge, the characteristic values of the electronic protection measures as well as the contamination at the place of installation.

Clearance distances are dimensioned in accordance with the rated impulse voltage (see table F.1), which results out of the overvoltage category and phase-to-earth voltage.

The minimum clearance in air is stated at altitudes of less than 2000 m above sea level and ascertained in accordance with the impulse voltage and the contamination level, see table F.2.

Creepage distances are measured by the operating voltage, the characteristic of the insulants (CTI value), the expected contamination level as well as the preventive measures against contamination.

Basis of the creepage distance is the rated voltage derived from the operating and / or system voltage.

The minimum creepage distance (depending on the respective degree of contamination) are assigned to the rated voltage, see table F.4.

### Overvoltage categories

#### Overvoltage category IV

Electrical equipments for the use at the connection point of the installation e.g. electricity meter and primary over-current protection devices.

#### Overvoltage category III

Electrical equipment in firm installations and for such cases in which special demands are made against the reliability

### F.1 DIN EN 60664-1 (VDE 0110-1), table F.1 (extract) Rated impulse voltages for electrical equipments, which are energised directly by a low-voltage system

Nominal voltage of the supply system <sup>1)</sup> based on IEC 60038 <sup>3)</sup>		Rated impulse voltage <sup>2)</sup>			
		Overvoltage category <sup>4)</sup>			
Three phase V	Single phase V	I V	II V	III V	IV V
	120-240	800	1 500	2 500	4 000
230/400	277/480	1 500	2 500	4 000	6 000
400/690		2 500	4 000	6 000	8 000
1 000		4 000	6 000	8 000	12 000

<sup>1)</sup> See Annex B for application to existing different low-voltage mains and their nominal voltages.  
<sup>2)</sup> Equipment with these rated impulse voltages can be used in installations in accordance with IEC 60364-4-44.  
<sup>3)</sup> The / mark indicates a four-wire three-phase distribution system. The lower value is the voltage line-to-neutral, while the higher value is the voltage line-to-line. Where only one value is indicated, it refers to three-wire, three-phase systems and specifies the value line-to-line.  
<sup>4)</sup> See 4.3.3.2.2 for an explanation of the overvoltage categories.

### F.4 DIN EN 60664-1 (VDE 0110-1), table F.4 (extract) Creepage distance for the avoidance of the failure by tracking

Voltage r.m.s. <sup>1)</sup>  V	Minimum creepage distances								
	Printed wiring material			Pollution degree					
	All material groups	All material groups except IIb	All material groups	1			3		
				I	II	III	I	II	III <sup>2)</sup>
mm	mm	mm	mm	mm	mm	mm	mm	mm	mm
25	0,025	0,040	0,125	0,500	0,500	0,500	1,250	1,250	1,250
32	0,025	0,040	0,14	0,53	0,53	0,53	1,30	1,30	1,30
40	0,025	0,040	0,16	0,56	0,80	1,10	1,40	1,60	1,80
50	0,025	0,040	0,18	0,60	0,85	1,20	1,50	1,70	1,90
63	0,040	0,063	0,20	0,63	0,90	1,25	1,60	1,80	2,00
80	0,063	0,100	0,22	0,67	0,95	1,30	1,70	1,90	2,10
100	0,100	0,160	0,25	0,71	1,00	1,40	1,80	2,00	2,20
125	0,160	0,250	0,28	0,75	1,05	1,50	1,90	2,10	2,40
160	0,250	0,400	0,32	0,80	1,10	1,60	2,00	2,20	2,50
200	0,400	0,630	0,42	1,00	1,40	2,00	2,50	2,80	3,20
250	0,560	1,000	0,56	1,25	1,80	2,50	3,20	3,60	4,00
320	0,75	1,60	0,75	1,60	2,20	3,20	4,00	4,50	5,00
400	1,0	2,0	1,0	2,0	2,8	4,0	5,0	5,6	6,3
500	1,3	2,5	1,3	2,5	3,6	5,0	6,3	7,1	8,0
630	1,8	3,2	1,8	3,2	4,5	6,3	8,0	9,0	10,0
800	2,4	4,0	2,4	4,0	5,6	8,0	10,0	11,0	12,5
1000	3,2	5,0	3,2	5,0	7,1	10,0	12,5	14,0	16,0

<sup>1)</sup> This voltage is  
- for functional insulation, the working voltage,  
- for basic and supplementary insulation of the circuit energized directly from the supply mains (see 4.3.2.2.1), the voltage rationalized through Table F.3a or Table F.3b, based on the rated voltage of the equipment, or the rated insulation voltage,  
- for basic and supplementary insulation of systems, equipment and internal circuits not energized directly from the mains (see 4.3.2.2.2), the highest r.m.s. voltage which can occur in the system, equipment or internal circuit when supplied at rated voltage and under the most onerous combination of conditions of operation within equipment rating.  
<sup>2)</sup> Material group IIb is no not recommended for application in pollution degree 3 above 630 V.

and the availability of the electrical equipment, e.g. switches in firm installations and devices for industrial use with continuing connection to the firm installation.

#### Overvoltage category II

Energy using electrical equipment, which is energised by a firm installation e.g. household appliances, portable tools and other domestic appliances as well as similar devices.

#### Overvoltage category I

Electrical equipment for the connection to electric circuits, in which measures are taken for the delimitation of the transient overvoltages to a suitable low value, e.g. devices with electronic circuits and appropriate protection level.



# Technical Information

## Degree of contamination

The micro environment determines the influence of the contamination on the isolation.

However the macro environment must be considered with the view of the micro environment.

Resources to achieve a reduction of the contamination on the regarded isolation can be planned by the effective employment of casings (housings), encapsulations or hermetic sealings.

The influence of the contamination is considered with the calculation of air and creepage distances by degrees of pollution.

Four degrees of contamination levels are defined for the micro environment:

### Contamination level 1

No contamination or only dry, non-conductive contamination occurs. The contamination has no influence;

### Contamination level 2

Only non-conductive contamination occurs. However, occasional temporary conductivity must be expected as a result of moisture condensation;

### Contamination level 3

Conductive contamination occurs; dry, non-conductive contamination which becomes conductive as a result of moisture condensation may also occur;

### Contamination level 4

Impurities in the form of conductive dust, rain or humidity result in permanent conductivity.

## Insulant

DIN EN 60664-1 (VDE 0110-1) divides the insulants according to their CTI values in four groups. These are:

- Insulant I:  $600 \leq \text{CTI}$
- Insulant II:  $400 \leq \text{CTI} < 600$
- Insulant IIIa:  $175 \leq \text{CTI} < 400$
- Insulant IIIb:  $100 \leq \text{CTI} < 175$

The check numbers of the tracking must be determined according to IEC 60112 at an examination body using test solution A. The check number of the tracking is used as a proof of the creepage characteristics of insulants.

**F.2** DIN EN 60664-1 (VDE 0110-1),  
table F.2 (extract)  
**Clearance for transient overvoltages**

Required impulse withstand voltage <sup>1) 5)</sup>	Minimum clearance in air up to 2 000 m above sea level		
	Case A Inhomogeneous field (see 3.15)		
	Pollution degree		
kV	1 mm	2 mm	3 mm
1,2	0,25	0,25	0,8 <sup>4)</sup>
1,5 <sup>2)</sup>	0,5	0,5	
2,0	1,0	1,0	1,0
2,5 <sup>2)</sup>	1,5	1,5	1,5
3,0	2,0	2,0	2,0
4,0 <sup>2)</sup>	3,0	3,0	3,0
5,0	4,0	4,0	4,0
6,0 <sup>2)</sup>	5,5	5,5	5,5
8,0 <sup>2)</sup>	8,0	8,0	8,0

<sup>1)</sup> This voltage is  
- for functional insulation, the maximum impulse voltage expected to occur across the clearance (see 5.1.5),  
- for basic insulation directly exposed to or significantly influenced by transient overvoltages from the low-voltage mains (see 4.3.3.3, 4.3.3.4.1 and 5.1.6), the rated impulse voltage of the equipment,  
- for other basic insulation (see 4.3.3.4.2), the highest impulse voltage that can occur in the circuit.

<sup>2)</sup> Preferred values as specified in 4.2.3.

<sup>4)</sup> The minimum clearances given for pollution degrees 2 and 3 are based on the reduced withstand characteristics of the associated creepage distance under humidity conditions (see IEC 60664-5).

<sup>5)</sup> For parts or circuits within equipment subject to impulse voltages according to 4.3.3.4.2, interpolation of values is allowed. However, standardization is achieved by using the preferred series of impulse voltage values in 4.2.3.

# Technical Information

## Rated cross section

The current carrying capacity depends not only on the terminal design, but also on the application of the terminals. The appropriate specifications for the devices, e.g. DIN EN 60335-1 (VDE 0700-1), should be taken into account.

According to DIN EN 60999-1 / VDE 0609 part 1, the current cross section and respectively the rated connection ability of a connection refers to the wire cross section indicated by the manufacturer, to which determined thermal, mechanical and electrical requirements apply to.

The relationship between rated connection abilities and diameters of the wires is represented in table 1.

If nothing else is specified in the product standard, each connection point must be able to take up not only its rated cross section (rated connection ability) but also the next two lower cross sections.

Connecting points must be able to take up unprepared wires.

Regarded as unprepared wires are all cables stripped at their ends, whose form is adjusted before insertion or whose wires are twisted for the purpose of the solidification.

In the USA and Canada an identification is used by leader sizes (AWG) instead of the cross section indicated in mm<sup>2</sup>.

**T1** DIN EN 60999-1, table 1 (extract)  
Relation between rated connection abilities and wires

Rated cross section	Theoretical diameter of the largest conductor						
	metric			AWG			
	solid		flexible	solid		flexible	
	single wire	multi-stranded wire		b) single wire	b) Class B multi-stranded wire	c) Class I, K, M multi-stranded wire	
mm <sup>2</sup>	mm	mm	mm	No.	mm	mm	mm
0,2	0,51	0,53	0,61	24	0,54	0,61	0,64
0,34	0,63	0,66	0,8	22	0,68	0,71	0,80
0,5	0,9	1,1	1,1	20	0,85	0,97	1,02
0,75	1,0	1,2	1,3	18	1,07	1,23	1,28
1,0	1,2	1,4	1,5	—	—	—	—
1,5	1,5	1,7	1,8	16	1,35	1,55	1,60
2,5	1,9	2,2	2,3 <sup>a)</sup>	14	1,71	1,95	2,08
4,0	2,4	2,7	2,9 <sup>a)</sup>	12	2,15	2,45	2,70
6,0	2,9	3,3	3,9 <sup>a)</sup>	10	2,72	3,09	3,36
10,0	3,7	4,2	5,1	8	3,34	3,89	4,32
16,0	4,6	5,3	6,3	6	4,32	4,91	5,73
25,0	—	6,6	7,8	4	5,45	6,18	7,26
35	—	7,9	9,2	2	6,87	7,78	9,02

NOTE The diameter of the largest solid and flexible wire is based on Table 1 according to IEC 60228A and IEC 60344 and for AWG conductors on ASTM B 172-71 [4], ICEA-Publication S-19-81 [5], ICEA-Publication S-66-524 [6] and ICEA-Publication S-66-516 [7].

<sup>a)</sup> Information only for flexible wires in class 5 of IEC 60228A.  
<sup>b)</sup> Nominal + 5 %.  
<sup>c)</sup> Largest diameter for each of the three classes I, K, M + 5 %.

## Current carrying-capacity

Technical data state a maximum rated current at which no thermal damage or malfunctions occur, if a certain ambient temperature and rated cross-section is provided. The rated current is a current which the terminal or connector can carry simultaneously at all contacts without exceeding the maximum permissible temperature limit.

Appropriate test currents are applied to the rated cross sections (see table T2). Depending on the connection type, the maximum permissible heating of the clamping unit is limited to 45 K (acc. to DIN 60998-1, Temperature Rise Test for PCB Connectors) and to 30 K (acc. to DIN 60512-5-1, Temperature Rise Test for Plug Connectors)

Based on the results of the temperature rise test acc. to DIN EN 60512-5-2 and the rated cross-section, a current carrying curve (base curve) is generated under consideration of the upper temperature limit for the insulating material and depending on the ambient temperature.

This base curve is used to determine the current carrying capacity of PCB connectors. For plug connectors, the base curve is corrected by factor 0.8 (derating curve). The permissible current carrying capacity not only depends on the terminal design but also the final application of the terminal. The corresponding equipment specifications, e.g. DIN EN 60335-1 (VDE 0700-1) must be observed.

**T2** DIN EN 60998-1, table 2 (extract)  
Relation between rated connection abilities and testing current

Rated Cross-section	Load capacity
mm <sup>2</sup>	A
0,2	4
0,34	5
0,5	6
0,75	9
1	13,5
1,5	17,5
2,5	24
4	32
6	41
10	57
16	76
25	101
35	125

## Looking for a Custom Designed Solution?

Our unique custom designed specific developments prove the high level of innovation power of WECO products and services. The fast and flexible project implementation in combination with delivery reliability ultimately enables us to flexibly respond to the increasingly challenging demands of the market.

Our Product Information Center is ready to assist you with any technical issues.

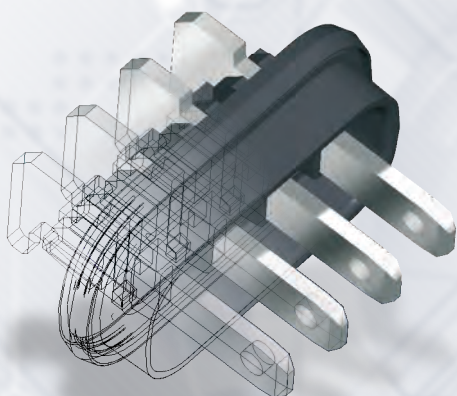
- Please call us under +49 6181 105-151.
- Contact us via e-mail at [products@wecogroup.com](mailto:products@wecogroup.com).
- You want us to pay you a visit? We are pleased to arrange an appointment.
- You would prefer a visit in Hanau?  
Of course, you are welcomed anytime.

We are looking forward to your contact.



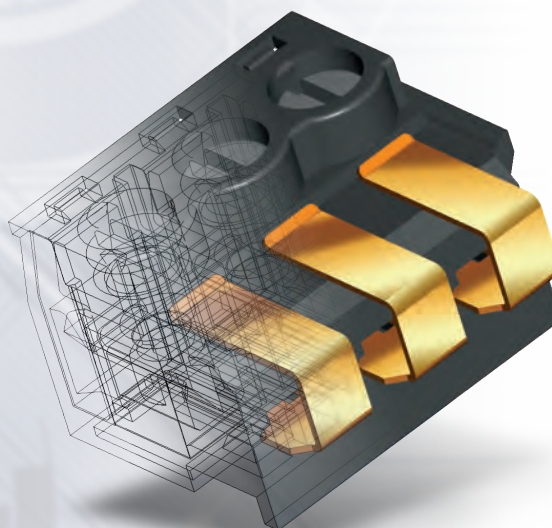
### „Top“

Version of a terminal our series 970 in 5 mm pitch.  
In order to achieve a distance of 100 mm from the PCB, a housing was constructed, which not only does protect the pins but also positions them in a special arrangement. In the terminal area are also placed elongated ribs.



### „Sealed“

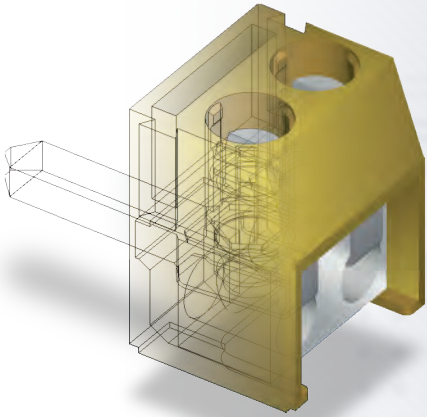
With a pitch of 3.5 mm, this insert with four tabs 2.8 x 0.8 mm was designed to seal the contacts to fulfill the application according to protection class IP54.



### „Well Contacted“

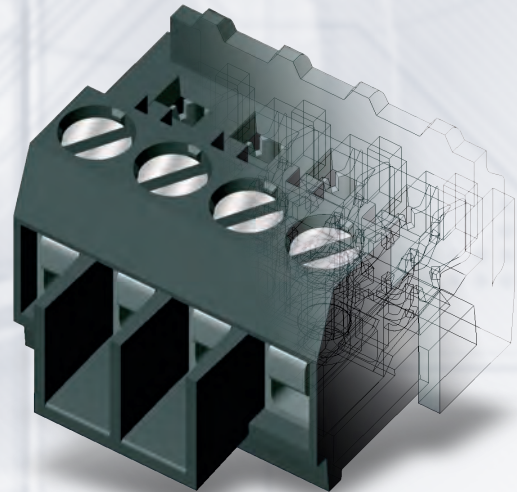
This plug connector with the pitch of 5 mm is designed with outer gold-plated contact surfaces. Additionally, the side walls provide ribs for receiving a corresponding locking hook.





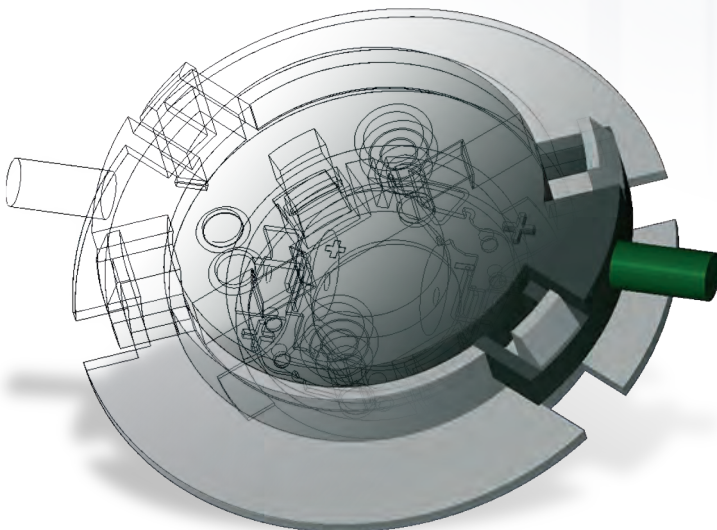
*„Stable bridged“*

*Terminal connector in 5 mm pitch with one potential but two screw connections and a plug connector at the back. This allows a connection to other terminals. For the customer the housing was made with zinc yellow material (similar to RAL 1018).*



*„Long-ribbed“*

*A plug connector with a pitch of 3.5 mm, with a anti-twist peg and two extra-long guiding ribs. In the plug connection area, tabs and round plug pins could be contacted.*



*„Solar“*

*Draft for a photovoltaic-module connection.*

# Index

Product	Page	Product	Page	Product	Page	Product	Page
307-PC/-PCM	12/13	433-LA	40	BEF-3070-18/-21	86	Coding Systems	96
307-PCF	14	433-LB	41	BST-307	87	Content	3
307-V/-VS	85	433-ZA	42	BST-422	88	Customer Designed	
		433-ZB	43	BST-423	88	Solutions	104-105
308-PA-101	15			BST-424	88	Household Appliance	6
308-PA-102	16	440-PA	81	BST-426	88	Index	106
308-PA-201	17			BST-983-F	89	Marking	97
308-PA-202	18	900-F-S-5	44			Moulding colours	99
308-PA/-PAG-302	19	900-F-S-7,5	45	GST (Tabs)	91	Overview	4
308-PA/-PAG-401	20	900-S-5	46	GST-900	90	Packaging	98
308-PA/-PAG-402	21	900-S-7,5	47	GST-S (Tabs)	92	RoHS	7
		900-S-10	48			Screws	99
322-A-2,8	22	900-SH-5	49	ISO (Insulating sockets)	93	Soldering processes	100
		900-SH-7,5	50	ISO-900	94	Symbols on our	
401-LFPA-4,8/-6,3	23	900-SH-10	51	ISO-900-K	94,96	data sheets	8
401-PA-4,8/-6,3/-XBS	24	900-SUB-5	52			Technical Information	
401-PVC-6,3	25	900-SUB-7,5	53	VB-308	95		101-103
		900-SUB-10	54			Who we are ...	5
404-6,3	26	900-SUC-5	55				
		900-SUC-7,5	56				
406	27	900-SUC-10	57				
		900-SUN-5	58				
407-PA/-PVC	28	900-SUN-7,5	59				
		900-SUN-10	60				
408-46-4,8/-6,3/-XBS	29	900-W-5	61				
408-50-4,8/-6,3/-XBS	30	900-W-7,5	62				
408-54-4,8/-6,3/-XBS	31	900-W-10	63				
411-B	78	931-FST	64				
411-BML	79						
411-S	80	970-B-2,8	65				
42..-CL	32	982-F	66/67				
42..-CZ	33						
42..-DL	34	983-F	68/69				
42..-DZ	35	983-FD	70				
42..-EL	36	983-FS	71				
42..-EZ	37	983-MF-2,8/-4,8	72				
		983-ML-2,8	73				
432-ZA	38	983-SMF-2,8/-4,8	74				
432-ZB	39	983-SML-2,8	75				
		3070-B1/-B2	84				
		3070-PCM	10/11				

## Catalogue overview

### Electronic

- 1** Pitch 3,5 mm
- 2** Pitch 5 mm
- 3** Pitch 5,08 mm
- 4** Pitch 7,5 mm
- 5** Pitch >10 mm
- 6** SMD & THR

### Electrical

- 7** Europe type connectors
- 8** Tab connectors & Screw connector blocks
- 9** Unisolated terminals & ceramic components

# Your Contact

## **NORTH AMERICA**

*GLOBAL HEADQUARTER*  
WECO Electrical Connectors Inc.  
18 050 Trans-Canada Highway  
Kirkland, QC Canada H9J 4A1  
Phone: +1 514 694-9136  
Fax: +1 514 694-0956  
info@wecoconnectors.com  
www.wecoconnectors.com

## **LATIN AMERICA**

WECO de México SA CV  
Carretera a Morelia 3583-B  
Tlajomulco de Zuñiga  
Guadalajara, Jalisco  
Fraccionamiento Los Gavilanes  
Codigo Postal: 45645, México  
Phone: +52 33 3684 9066  
Fax: +52 33 3684 9066  
info@wecoconnectors.com  
www.wecoconnectors.com

## **BRAZIL**

WECO do Brasil LTDA.  
Rod. BR-116, 12.757 - Vila Fanny  
Curitiba, PR CEP-81690-200  
Phone: +55 41-3278-9720  
Phone: +55 41-3278-9721  
Phone: +55 41-3278-9717  
info@wecoconnectors.com  
www.wecoconnectors.com

## **EMEIA**

WECO Contact GmbH  
Donaustrasse 15  
63452 Hanau, Germany  
Phone: +49 6181 105 -145  
Fax: +49 6181 105 -720  
vertrieb@wecogroup.com  
www.wecogroup.com

## **ASIA PACIFIC**

WECO Electrical Connectors Ltd.  
Room 1105, New Commerce  
Centre  
19 On Sum Street, Shatin  
New Territory, Hong Kong  
Phone: +852 2636 6252  
Fax: +852 2559 3161  
info@wecoconnectors.com  
www.wecoconnectors.com

## **ASIA PACIFIC**

WECO Electrical (Shenzhen) Ltd.  
Room 11-G, Block A, Huaqiang  
Square, Huaqiang North Road,  
Futian,  
518031 Shenzhen, P.R. China  
Phone: +86 755 8280 7672 -0  
Fax: +86 755 8280 7674  
info@wecoconnectors.com  
www.wecoconnectors.com