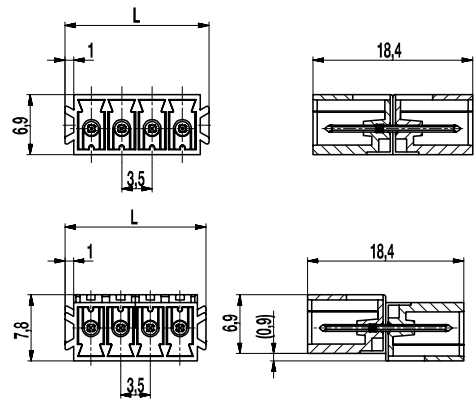
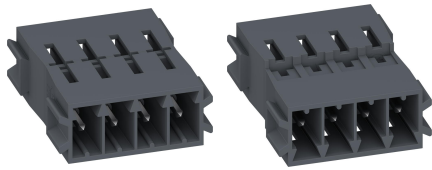


110-M-241(-R)

Coupler



110-M-241

110-M-241-R

GENERAL INFORMATION

Pitch	3,5 mm
No. of poles	2 - 12
Usable with	all plug connectors of series 110

TECHNICAL DATA

Overvoltage Category	III	III	II
Pollution Severity Level	3	2	2
Rated Voltage	160 V	160 V	320 V
Rated Impulse Voltage	2,5 kV	2,5 kV	2,5 kV
Rated Insulation Voltage	130 V acc. to EN 60998-1		
Rated Current	8 A		

APPROVALS

	Current [A]	Voltage [V]	Group	AWG	[Nm]
	8	300	B		
	8	300	B		

CAUTION: NOT FOR CURRENT INTERRUPTING

MATERIAL

Moulding	PA, grey, V-0
Comparative Tracking Index	CTI ≥ 600
Insulating Group	I
Temperature Range	-40°C up to 100°C
Pin	0,8 x 0,8 mm; tin plated brass

OPTIONS / ACCESSORIES

- Marking according to customer requirement
- Self-adhesive marking strip BST-3,50

CONFIGURATIONS

Poles	Item	Article number	Item	Article number	Length (L)	Packaging	PU
2	110-M-241/02	10.841.702	110-M-241-R/02	40.841.702	9,60 mm	Box	100
3	110-M-241/03	10.841.703	110-M-241-R/03	40.841.703	13,10 mm	Box	100
4	110-M-241/04	10.841.704	110-M-241-R/04	40.841.704	16,60 mm	Box	50
8	110-M-241/08	10.841.708	110-M-241-R/08	40.841.708	30,60 mm	Box	25
12	110-M-241/12	10.841.712	110-M-241-R/12	40.841.712	44,60 mm	Box	25

further number of poles on request

