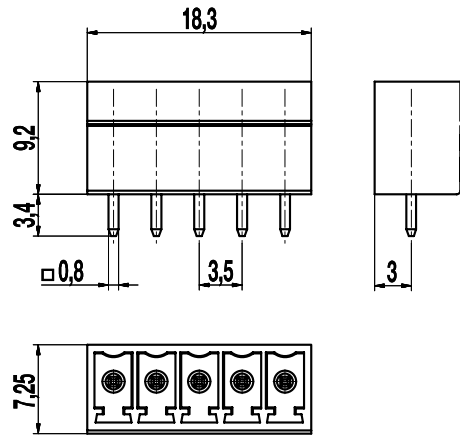
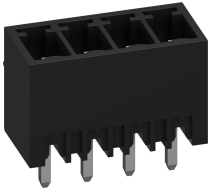


# 110-ME-121

Pin strip  
Plug-in direction vertical to PCB



## GENERAL INFORMATION

Pitch	3,5 mm
No. of poles	2 - 24
Usable with	110-FEP-111

## TECHNICAL DATA

Rated Voltage	160 V
Rated Impulse Voltage	2,5 kV
Rated Current	11 A
Hole in PCB	ø 1,3 mm

## APPROVALS

	Current [A]	Voltage [V]	Group	AWG	[Nm]
	11	300	B, D		

## MATERIAL

Moulding	PA V0, black
Temperature Range	-40°C up to 130°C
Solder pin	0,8 x 0,8 mm; tin-plated copper alloy

## OPTIONS / ACCESSORIES

- Coding elements

## CONFIGURATIONS

Poles	Item	Article number	Length (L)	Packaging	PU
2	110-ME-121/02	10.842.602	7,8 mm	Box	250
3	110-ME-121/03	10.842.603	11,3 mm	Box	250
4	110-ME-121/04	10.842.604	14,8 mm	Box	250
5	110-ME-121/05	10.842.601	18,3 mm	Box	
6	110-ME-121/06	10.842.606	21,8 mm	Box	
7	110-ME-121/07	10.842.607	25,3 mm	Box	
8	110-ME-121/08	10.842.608	28,8 mm	Box	
9	110-ME-121/09	10.842.609	32,3 mm	Box	100
10	110-ME-121/10	10.842.610	35,8 mm	Box	
11	110-ME-121/11	10.842.611	39,3 mm	Box	
12	110-ME-121/12	10.842.612	42,8 mm	Box	

further number of poles on request

