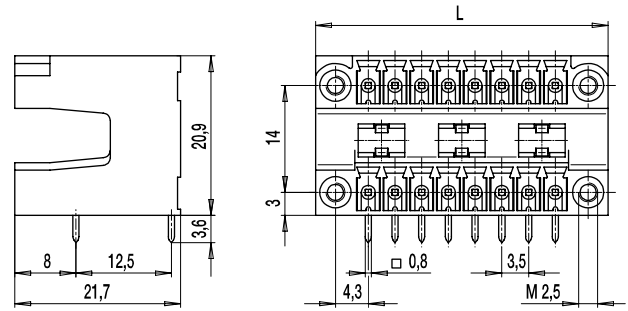
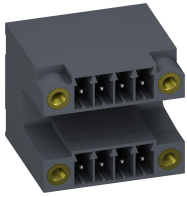


110-P-215

Header

Two-tier version, plug-in direction parallel to PCB, with connecting flanges



GENERAL INFORMATION

| | |
|--------------|---|
| Pitch | 3,5 mm |
| No. of poles | 4 - 44 |
| Usable with | all plug connectors of series 110 with connecting flanges |

TECHNICAL DATA

| | | | |
|--------------------------|--------------------------|--------|--------|
| Overvoltage Category | III | III | II |
| Pollution Severity Level | 3 | 2 | 2 |
| Rated Voltage | 160 V | 160 V | 320 V |
| Rated Impulse Voltage | 2,5 kV | 2,5 kV | 2,5 kV |
| Rated Insulation Voltage | 130 V acc. to EN 60998-1 | | |
| Rated Current | 8 A | | |
| Hole in PCB | ø 1,3 mm | | |

APPROVALS

| | Current [A] | Voltage [V] | Group | AWG | [Nm] |
|--|-------------|-------------|-------|-----|------|
| | 8 | 300 | B, D | | |
| | 8 | 300 | B | | |
| | | | | | |

MATERIAL

| | |
|----------------------------|--------------------------------|
| Moulding | PA, grey, V-0 |
| Comparative Tracking Index | CTI ≥ 600 |
| Insulating Group | I |
| Temperature Range | -40°C up to 100°C |
| Solder pin | 0,8 x 0,8 mm; tin plated brass |

OPTIONS / ACCESSORIES

- Marking according to customer requirement
- Self-adhesive marking strip BST-3,50
- Pitch of 7 mm for larger clearance and creepage distances
- Coding elements 120-K
- With fastening peg for PCB

CONFIGURATIONS

| Poles | Item | Article number | Length (L) | Packaging | PU |
|-------|--------------|----------------|------------|-----------|-----|
| 4 | 110-P-215/04 | 10.841.652 | 17,30 mm | Box | 100 |
| 6 | 110-P-215/06 | 10.841.653 | 20,80 mm | Box | 100 |
| 8 | 110-P-215/08 | 10.841.654 | 24,30 mm | Box | 50 |
| 10 | 110-P-215/10 | 10.841.655 | 27,80 mm | Box | 50 |
| 12 | 110-P-215/12 | 10.841.656 | 31,30 mm | Box | 50 |
| 14 | 110-P-215/14 | 10.841.657 | 34,80 mm | Box | 50 |

further number of poles on request

