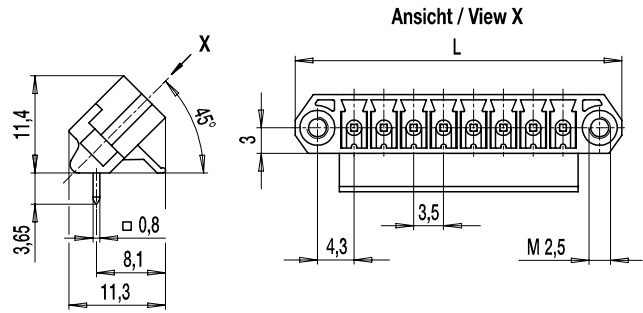
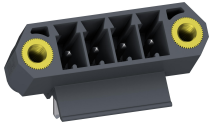


110-V-215

Header

Plug-in direction diagonal 45° to PCB, with connecting flanges



GENERAL INFORMATION

Pitch	3,5 mm
No. of poles	2 - 22
Usable with	all plug connectors of series 110 with connecting flanges

TECHNICAL DATA

Overvoltage Category	III	III	II
Pollution Severity Level	3	2	2
Rated Voltage	160 V	160 V	320 V
Rated Impulse Voltage	2,5 kV	2,5 kV	2,5 kV
Rated Insulation Voltage	130 V acc. to EN 60998-1		
Rated Current	8 A		
Hole in PCB	ø 1,3 mm		

APPROVALS

	Current [A]	Voltage [V]	Group	AWG	[Nm]
	8	300	B, D		
	8	300	B		

MATERIAL

Moulding	PA, grey, V-0
Comparative Tracking Index	CTI ≥ 600
Insulating Group	I
Temperature Range	-40°C up to 100°C
Solder pin	0,8 x 0,8 mm; tin plated brass

OPTIONS / ACCESSORIES

- Marking according to customer requirement
- Self-adhesive marking strip BST-3,50
- Pitch of 7 mm for larger clearance and creepage distances
- Coding elements 120-K

CONFIGURATIONS

Poles	Item	Article number	Length (L)	Packaging	PU
2	110-V-215/02	10.841.252	17,30 mm	Box	100
3	110-V-215/03	10.841.253	20,80 mm	Box	100
4	110-V-215/04	10.841.254	24,30 mm	Box	100
5	110-V-215/05	10.841.255	27,80 mm	Box	50
6	110-V-215/06	10.841.256	31,30 mm	Box	50
7	110-V-215/07	10.841.257	34,80 mm	Box	50
8	110-V-215/08	10.841.258	38,30 mm	Box	50
9	110-V-215/09	10.841.259	41,80 mm	Box	50
10	110-V-215/10	10.841.260	45,30 mm	Box	50
11	110-V-215/11	10.841.261	48,80 mm	Box	50
12	110-V-215/12	10.841.262	52,30 mm	Box	50

further number of poles on request

