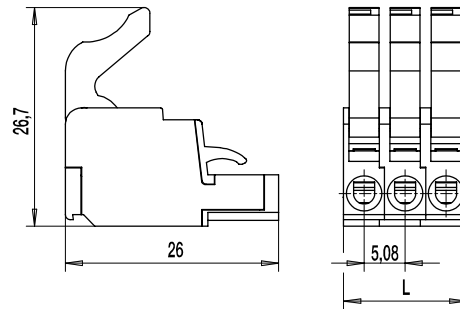


121-F-211

Plug connector
Spring clamp connection, with pusher



GENERAL INFORMATION

Pitch	5,08 mm
No. of poles	2 - 12
Usable with	all pin strips series 121

TECHNICAL DATA

Clamping Range	<i>solid / stranded / AWG</i>
	0,2 - 4 mm ² / 0,2 - 2,5 mm ² / 24 - 12 AWG
Rated Cross Section	2,5 mm ²
Wire Stripping Length	8,5 mm ± 0,5 mm
Overvoltage Category	II
Pollution Severity Level	2
Rated Voltage	320 V
Rated Impulse Voltage	2,5 kV
Rated Insulation Voltage	130 V acc. to EN 60998-1
Rated Current	12 A

MATERIAL

Moulding	PA, grey, V-0
Comparative Tracking Index	CTI ≥ 600
Insulating Group	I
Temperature Range	-40°C up to 100°C
Pressure clamp	Copper alloy, tin plated
Tension spring	Stainless strip steel
Spring	Copper alloy, tin plated

OPTIONS / ACCESSORIES

- Consecutive numbering
- Special marking according to drawing
- Self-adhesive marking strip BST-5,08
- Coding elements 120-K
- Connectors equipped with coding elements on request
- Strain relief

CONFIGURATIONS

Poles	Part number	Article number	Length (L)	Packaging	PU
2	121-F-211/02	12.808.905	10,00 mm	Box	200
3	121-F-211/03	13.808.955	15,24 mm	Box	200
4	121-F-211/04	14.808.955	20,32 mm	Box	100
5	121-F-211/05	15.808.955	25,40 mm	Box	100
6	121-F-211/06	16.808.955	30,48 mm	Box	100

