

# 121-M-181/-281

Pin strip  
Plug-in direction parallel to PCB, tall version



## GENERAL INFORMATION

|                        |  |
|------------------------|--|
| Pitch                  | 5,08 mm  |
| No. of poles           | 2 - 12   |
| Usable with            | all plug connectors of series 121  |
| Additional Information | Ordering information:<br>...M-181: without side walls, not pottable<br>...M-281: with side walls, pottable |

## TECHNICAL DATA

|                          |                          |       |       |
|--------------------------|--------------------------|-------|-------|
| Overvoltage Category     | III                      | III   | II    |
| Pollution Severity Level | 3                        | 2     | 2     |
| Rated Voltage            | 250 V                    | 320 V | 630 V |
| Rated Impulse Voltage    | 4 kV                     | 4 kV  | 4 kV  |
| Rated Insulation Voltage | 250 V acc. to EN 60998-1 |       |       |
| Rated Current            | 12 A                     |       |       |
| Hole in PCB              | ø 1,4 mm                 |       |       |

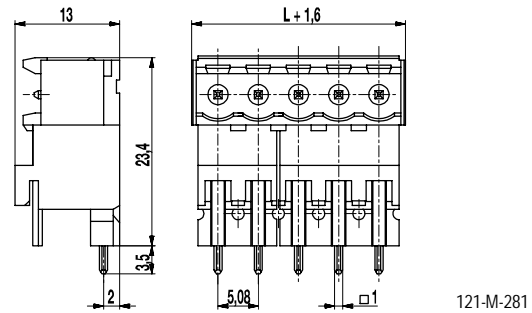
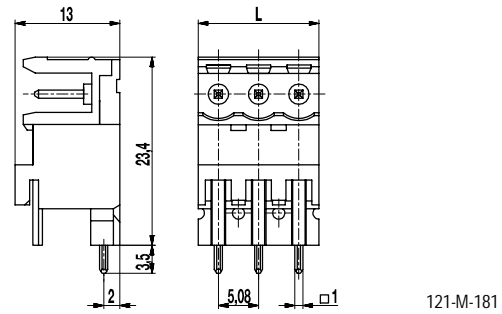
## APPROVALS

|  | Current [A] | Voltage [V] | Group | AWG | [Nm] |
|--|-------------|-------------|-------|-----|------|
|  | 15          | 300         | B     |     |      |
|  | 10          | 300         | D     |     |      |
|  | 15          | 300         | B     |     |      |
|  | 10          | 300         | D, E  |     |      |
|  |             |             |       |     |      |

## CONFIGURATIONS

| Poles | Part number  | Article number | Part number  | Article number | Length (L) | Packaging | PU  |
|-------|--------------|----------------|--------------|----------------|------------|-----------|-----|
| 2     | 121-M-181/02 | 25.806.152     | 121-M-281/02 | 25.806.176     | 10,16 mm   | Box       | 200 |
| 3     | 121-M-181/03 | 25.806.153     | 121-M-281/03 | 25.806.177     | 15,24 mm   | Box       | 100 |
| 4     | 121-M-181/04 | 25.806.154     | 121-M-281/04 | 25.806.178     | 20,32 mm   | Box       | 100 |
| 5     | 121-M-181/05 | 25.806.155     | 121-M-281/05 | 25.806.179     | 25,40 mm   | Box       | 100 |
| 6     | 121-M-181/06 | 25.806.156     | 121-M-281/06 | 25.806.180     | 30,48 mm   | Box       | 100 |

further number of poles on request



## MATERIAL

|                            |                                |
|----------------------------|--------------------------------|
| Moulding                   | PA, grey, V-0                  |
| Comparative Tracking Index | CTI ≥ 600                      |
| Insulating Group           | I                              |
| Temperature Range          | -40°C up to 100°C              |
| Solder pin                 | 1,0 x 1,0 mm; tin plated brass |

## OPTIONS / ACCESSORIES

- Consecutive numbering
- Special marking according to drawing
- Self-adhesive marking strip BST-5,08
- Pitch of 10,16 mm for larger clearance and creepage distances
- Coding elements 120-K
- Connectors equipped with coding elements on request

