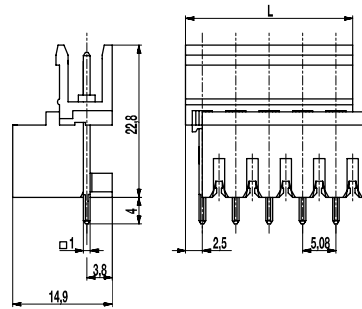
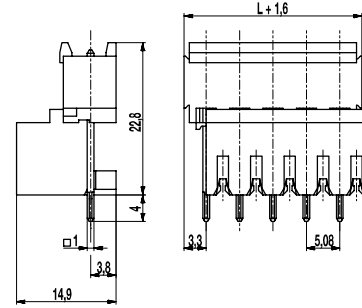


# 121-M-191/-291

Pin strip  
Plug-in direction vertical to PCB, tall version



121-M-191



121-M-291

## GENERAL INFORMATION

Pitch	5,08 mm
No. of poles	2 - 12
Usable with	all plug connectors of series 121
Additional Information	Ordering information: ...M-191: without side walls, not pottable ...M-291: with side walls, pottable

## TECHNICAL DATA

Overvoltage Category	III	III	II
Pollution Severity Level	3	2	2
Rated Voltage	250 V	320 V	630 V
Rated Impulse Voltage	4 kV	4 kV	4 kV
Rated Insulation Voltage	250 V acc. to EN 60998-1		
Rated Current	12 A		
Hole in PCB	ø 1,4 mm		

## APPROVALS

	Current [A]	Voltage [V]	Group	AWG	[Nm]
	15	300	B		
	10	300	D		
	15	300	B		
	10	300	D, E		

## MATERIAL

Moulding	PA, grey, V-0
Comparative Tracking Index	CTI ≥ 600
Insulating Group	I
Temperature Range	-40°C up to 100°C
Solder pin	1,0 x 1,0 mm; tin plated brass

## OPTIONS / ACCESSORIES

- Consecutive numbering
- Special marking according to drawing
- Self-adhesive marking strip BST-5,08
- Pitch of 10,16 mm for larger clearance and creepage distances
- Coding elements 120-K
- Connectors equipped with coding elements on request

## CONFIGURATIONS

Poles	Part number	Article number	Part number	Article number	Length (L)	Packaging	PU
2	121-M-191/02	25.806.102	120-M-291/02	25.806.126	10,16 mm	Box	200
3	121-M-191/03	25.806.103	120-M-291/03	25.806.127	15,24 mm	Box	100
4	121-M-191/04	25.806.104	120-M-291/04	25.806.128	20,32 mm	Box	100
5	121-M-191/05	25.806.105	120-M-291/05	25.806.129	25,40 mm	Box	100
6	121-M-191/06	25.806.106	120-M-291/06	25.806.130	30,48 mm	Box	100

further number of poles on request

