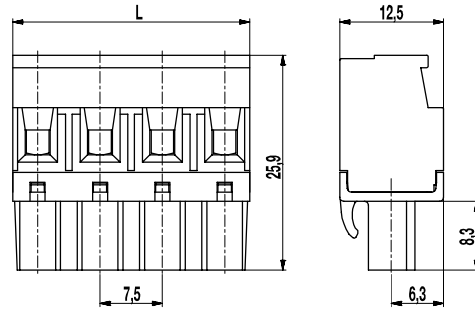


122-D-111

Plug connector
Screw connection, backside latching hooks



GENERAL INFORMATION

Pitch	7,5 mm
No. of poles	2 - 12
Usable with	all pin strips of series 122

TECHNICAL DATA

Clamping Range	<i>solid / stranded / AWG</i>		
	0,2 - 6 mm ² / 0,2 - 4 mm ² / 26 - 12 AWG		
Rated Cross Section	2,5 mm ²		
Wire Stripping Length	7 mm ± 0,5 mm		
Overvoltage Category	III	III	II
Pollution Severity Level	3	2	2
Rated Voltage	500 V	630 V	1000 V
Rated Impulse Voltage	6 kV	6 kV	6 kV
Rated Insulation Voltage	450 V acc. to EN 60998-1		
Rated Current	12 A		
Torque	0,5 Nm		

APPROVALS

	Current [A]	Voltage [V]	Group	AWG	[Nm]
	15	300	B	26 - 12	0,51
	10	300	D	26 - 12	0,51
	15	300	B	26 - 12	0,51
	10	300	D, E	26 - 12	0,51

MATERIAL

Moulding	PA, grey, V-0
Comparative Tracking Index	CTI ≥ 600
Insulating Group	I
Temperature Range	-40°C up to 100°C
Terminal body	Nickel plated brass
Pressure clamp	Tin plated tin bronze
Screw	M3; zinc plated steel, blue passivated
Spring	Tin plated tin bronze

OPTIONS / ACCESSORIES

- Consecutive numbering
- Special marking according to drawing
- Self-adhesive marking strip BST-7,50
- Coding elements 120-K
- Connectors equipped with coding elements on request

CONFIGURATIONS

Poles	Part number	Article number	Length (L)	Packaging	PU
2	122-D-111/02	10.809.402	13,00 mm	Box	200
3	122-D-111/03	10.809.403	20,50 mm	Box	100
4	122-D-111/04	10.809.404	28,00 mm	Box	100
5	122-D-111/05	10.809.405	35,50 mm	Box	50
6	122-D-111/06	10.809.406	43,00 mm	Box	50

further number of poles on request

