

140-A-SMD

PCB connector for SMD
Screw connection, with anti-twist peg



GENERAL INFORMATION

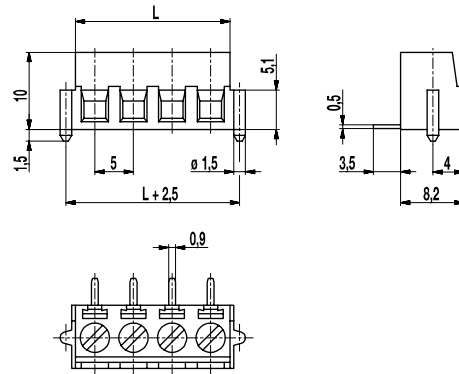
Pitch	5 mm
No. of poles	2 - 8

TECHNICAL DATA

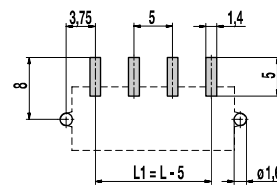
Clamping Range	solid / stranded / AWG 0,14 - 2,5 mm ² / 0,14 - 1,5 mm ² / 26 - 16 AWG		
Rated Cross Section	1,5 mm ²		
Wire Stripping Length	6 mm ± 0,5 mm		
Overvoltage Category	III	III	II
Pollution Severity Level	3	2	2
Rated Voltage	200 V	320 V	500 V
Rated Impulse Voltage	4 kV	4 kV	4 kV
Rated Insulation Voltage	250 V acc. to EN 60998-1		
Rated Current	16 A		
Soldering process	Reflow solder		
Torque	0,5 Nm		

APPROVALS

	Current [A]	Voltage [V]	Group	AWG	[Nm]
	10 [1]	300	B, D	30 - 14	0,51
	15	300	B	30 - 14	0,51



PCB LAYOUT



Solder paste thickness:
0,2 mm

MATERIAL

Moulding	PA HT, black, V-0
Comparative Tracking Index	CTI ≥ 600
Insulating Group	I
Temperature Range	-40°C up to 120°C; reflow solder temperature peak max. 255°C acc. to DIN EN 61760-1
Terminal body	Nickle plated brass
Pressure clamp	Tin plated tin bronze
Screw	M3; zinc plated steel, blue passivated
Solder pin	0,5 x 0,9 mm; tin plated tin bronze

OPTIONS / ACCESSORIES

- Marking according to customer requirement
- Self-adhesive marking strip BST-5,00 [2]
- Version without anti-twist peg or with other fastening flanges

[1] 20 A max for factory-wiring applications only
[2] To be fitted after reflow soldering process

CONFIGURATIONS

Poles	Item	Article number	Length (L)	Packaging	PU	Tape Width	Tape Height
2	140-A-SMD/02	10.801.602	10,00 mm	Box	1036		
3	140-A-SMD/03	10.801.603	15,00 mm	Box	756		
4	140-A-SMD/04	10.801.604	20,00 mm	Box	588		
5	140-A-SMD/05	10.801.605	25,00 mm	Box	504		
6	140-A-SMD/06	10.801.606	30,00 mm	Box	420		
2	140-A-SMD/02-T&R	10.801.602.A00	10,00 mm	Tape-on-Reel	375	32 mm	13 mm
3	140-A-SMD/03-T&R	10.801.603.A00	15,00 mm	Tape-on-Reel	375	56 mm	13 mm
4	140-A-SMD/04-T&R	10.801.604.A00	20,00 mm	Tape-on-Reel	375	56 mm	13 mm
5	140-A-SMD/05-T&R	10.801.605.A00	25,00 mm	Tape-on-Reel	375	56 mm	13 mm
6	140-A-SMD/06-T&R	10.801.606.A00	30,00 mm	Tape-on-Reel	375	56 mm	13 mm

further number of poles on request

