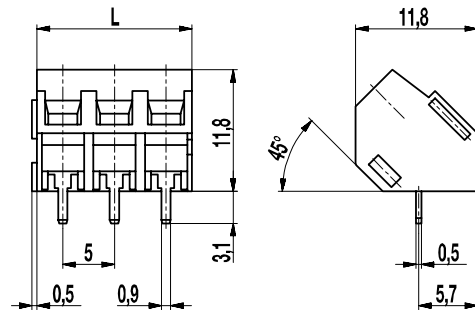
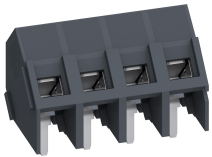


140-C-111

PCB connector

Screw connection diagonal 45° to PCB, interlocking



GENERAL INFORMATION

Pitch	5 mm
No. of poles	2 - 24

TECHNICAL DATA

Clamping Range	solid / stranded / AWG		
	0,14 - 2,5 mm ² / 0,14 - 1,5 mm ² / 26 - 14 AWG		
Rated Cross Section	1,5 mm ²		
Wire Stripping Length	6 mm ± 0,5 mm		
Overvoltage Category	III	III	II
Pollution Severity Level	3	2	2
Rated Voltage	200 V	320 V	500 V
Rated Impulse Voltage	4 kV	4 kV	4 kV
Rated Insulation Voltage	250 V acc. to EN 60998-1		
Rated Current	16 A		
Hole in PCB	ø 1,2 mm		
Torque	0,5 Nm		

APPROVALS

	Current [A]	Voltage [V]	Group	AWG	[Nm]
	10 [1]	300	B, D	30 - 14	0,51
	15	300	B	30 - 14	0,51

[1] 20 A max for factory-wiring applications only

MATERIAL

Moulding	PA, grey, V-0
Comparative Tracking Index	CTI ≥ 600
Insulating Group	I
Temperature Range	-40°C up to 100°C
Terminal body	Nickel plated brass
Pressure clamp	Copper alloy, tin plated
Screw	M3; zinc plated steel, blue passivated
Solder pin	0,9 x 0,5 mm; Copper alloy, tin plated

OPTIONS / ACCESSORIES

- Marking according to customer requirement
- Self-adhesive marking strip BST-5,00
- Pitch of 10 mm for larger clearance and creepage distances
- Can be fitted together to larger pole numbers

CONFIGURATIONS

Poles	Item	Article number	Length (L)	Packaging	PU
2	140-C-111/02	10.801.502	10,00 mm	Box	250
3	140-C-111/03	10.801.503	15,00 mm	Box	250
4	140-C-111/04	10.801.504	20,00 mm	Box	200
5	140-C-111/05	10.801.505	25,00 mm	Box	100
6	140-C-111/06	10.801.506	30,00 mm	Box	100
8	140-C-111/08	10.801.508	40,00 mm	Box	100
10	140-C-111/10	10.801.510	50,00 mm	Box	100
12	140-C-111/12	10.801.512	60,00 mm	Box	100
14	140-C-111/14	10.801.514	70,00 mm	Box	100

further number of poles on request

