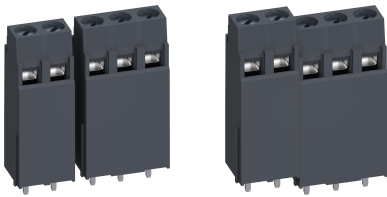


140-E-111

PCB connector
Screw connection, interlocking, tall version



GENERAL INFORMATION

Pitch	5 mm
No. of poles	2 + 3

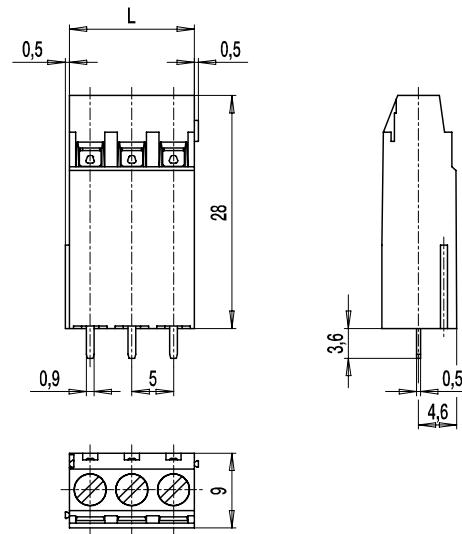
TECHNICAL DATA

Clamping Range	solid / stranded / AWG 0,14 - 1,5 mm ² / 0,14 - 1,5 mm ² / 26 - 16 AWG		
Rated Cross Section	1,5 mm ²		
Wire Stripping Length	6 mm ± 0,5 mm		
Overvoltage Category	III	III	II
Pollution Severity Level	3	2	2
Rated Voltage	160 V	160 V	320 V
Rated Impulse Voltage	2,5 kV	2,5 kV	2,5 kV
Rated Insulation Voltage	250 V acc. to EN 60998-1		
Rated Current	14 A		
Hole in PCB	ø 1,2 mm		
Torque	0,5 Nm		

APPROVALS

	Current [A]	Voltage [V]	Group	AWG	[Nm]
	10 [1]	300	B	30 - 14	0,51
	15	150	B	30 - 14	0,51
	10	300	D	30 - 14	0,51

[1] 20 A max for factory-wiring applications only



MATERIAL

Moulding	PA, grey, V-0
Comparative Tracking Index	CTI ≥ 600
Insulating Group	I
Temperature Range	-40°C up to 100°C
Terminal body	Nickel plated brass
Pressure clamp	Copper alloy, tin plated
Screw	M3; zinc plated steel, blue passivated
Solder pin	0,9 x 0,5 mm; Copper alloy, tin plated

OPTIONS / ACCESSORIES

- Marking according to customer requirement
- Self-adhesive marking strip BST-5,00
- Pitch of 10 mm for larger clearance and creepage distances
- Can be fitted together to larger pole numbers

CONFIGURATIONS

Poles	Item	Article number	Length (L)	Packaging	PU
2	140-E-111/02	10.801.482	10,00 mm	Box	100
3	140-E-111/03	10.801.483	15,00 mm	Box	100

