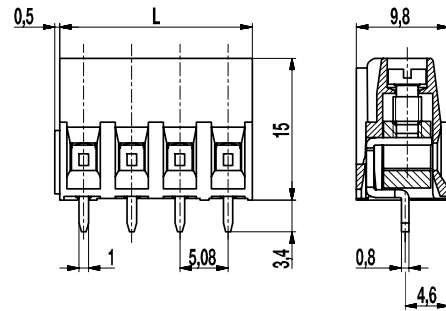
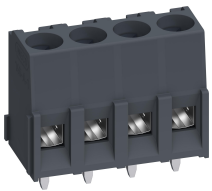


146-A-111

PCB connector
Screw connection, interlocking



GENERAL INFORMATION

Pitch	5,08 mm
No. of poles	2 - 24

TECHNICAL DATA

Clamping Range	solid / stranded / AWG		
	0,14 - 4 mm ² / 0,14 - 2,5 mm ² / 26 - 14 AWG		
Rated Cross Section	2,5 mm ²		
Wire Stripping Length	7 mm ± 0,5 mm		
Overvoltage Category	III	III	II
Pollution Severity Level	3	2	2
Rated Voltage	250 V	320 V	630 V
Rated Impulse Voltage	4 kV	4 kV	4 kV
Rated Insulation Voltage	250 V acc. to EN 60998-1		
Rated Current	24 A		
Hole in PCB	ø 1,4 mm		
Torque	0,5 Nm		

APPROVALS

	Current [A]	Voltage [V]	Group	AWG	[Nm]
	20	300	B	26 - 12	0,51
	10	300	D	26 - 12	0,51
	20	300	B	26 - 12	0,51
	10	300	D, E	26 - 12	0,51

MATERIAL

Moulding	PA, grey, V-0
Comparative Tracking Index	CTI ≥ 600
Insulating Group	I
Temperature Range	-40°C up to 100°C
Terminal body	Nickel plated brass
Pressure clamp	Copper alloy, tin plated
Screw	M3; zinc plated steel, blue passivated
Solder pin	1,0 x 0,8 mm; copper alloy, tin plated

OPTIONS / ACCESSORIES

- Marking according to customer requirement
- Self-adhesive marking strip BST-5,08
- Pitch of 10,16 mm for larger clearance and creepage distances

CONFIGURATIONS

Poles	Item	Article number	Length (L)	Packaging	PU
2	146-A-111/02	10.805.302	10,16 mm	Box	250
3	146-A-111/03	10.805.303	15,24 mm	Box	250
4	146-A-111/04	10.805.304	20,32 mm	Box	200
5	146-A-111/05	10.805.305	25,40 mm	Box	100
6	146-A-111/06	10.805.306	30,48 mm	Box	100
8	146-A-111/08	10.805.308	40,64 mm	Box	100
10	146-A-111/10	10.805.310	50,80 mm	Box	100
12	146-A-111/12	10.805.312	60,96 mm	Box	100

further number of poles on request

