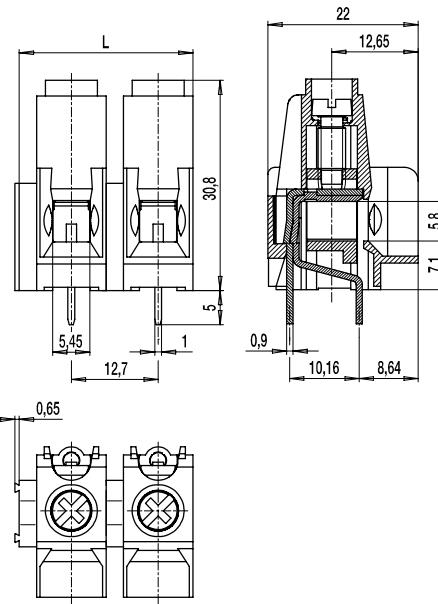
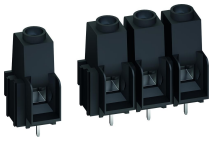


159-A-211

PCB connector
Screw connection, tall version, extended wire entrance



GENERAL INFORMATION

Pitch	12,7 mm
No. of poles	2 - 12
Usable with	159-A-111, 158-A-111 and 158-A-211, mountable side-by-side to any series connector
Areas of application	Power electronics, in particular for drives with frequency converters, and also for power supplies and charging units.
Additional Information	Hole for \varnothing 2 mm test plug

TECHNICAL DATA

Clamping Range	solid / stranded / AWG		
	0,5 - 16 mm ² / 0,5 - 10 mm ² / 20 - 6 AWG		
Rated Cross Section	10 mm ²		
Wire Stripping Length	10,5 mm \pm 1 mm		
Overvoltage Category	III	III	II
Pollution Severity Level	3	2	2
Rated Voltage	1000 V	1000 V	1000 V
Rated Impulse Voltage	8 kV	8 kV	6 kV
Rated Current	57 A		
Hole in PCB	\varnothing 1,5 mm		
Torque	1,2 Nm		
Other specifications	Maximum current/cross-section 76 A / 16 mm ² , stranded wire		

APPROVALS

	Current [A]	Voltage [V]	Group	AWG	[Nm]
	60	600	B, C	20 - 6	1,3
	5	600	D	20 - 6	1,3
	Current [A]	Voltage [V]	mm ²		
	57	1000 [1]	2,5 - 10		

CONFIGURATIONS

Poles	Part number	Article number	Length (L)	Packaging	PU
2	159-A-211/02	12.801.904	25,40 mm	Box	50
3	159-A-211/03	13.801.904	38,10 mm	Box	50
4	159-A-211/04	14.801.904	50,80 mm	Box	50
5	159-A-211/05	15.801.904	63,50 mm	Box	50

further number of poles on request

MATERIAL

Moulding	PA, grey, V-0
Comparative Tracking Index	CTI \geq 600
Insulating Group	I
Temperature Range	-40°C up to 100°C
Terminal body	Nickel plated brass
Pressure clamp	Tin plated copper
Screw	Plus-minus, M4; zinc plated steel, blue passivated
Solder pin	Tin plated copper

OPTIONS / ACCESSORIES

- Consecutive numbering
- Special marking according to drawing

[1] Marks approval acc. to DIN EN 60947-7-4

