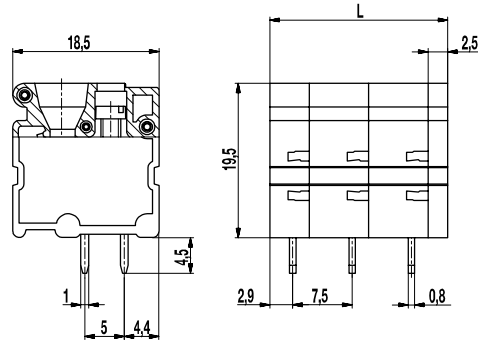


# 182-A-121

PCB connector  
Screw connection, wire entrance vertical to PCB



## GENERAL INFORMATION

Pitch	7,5 mm
No. of poles	2 - 12
Areas of application	Particularly suitable for confined mounting space or only single-sided access.

## TECHNICAL DATA

Clamping Range	<i>solid / stranded / AWG</i>		
	0,14 - 4 mm <sup>2</sup> / 0,14 - 2,5 mm <sup>2</sup> / 26 - 12 AWG		
Rated Cross Section	2,5 mm <sup>2</sup>		
Wire Stripping Length	9 mm ± 0,5 mm		
Overvoltage Category	III	III	II
Pollution Severity Level	3	2	2
Rated Voltage	500 V	630 V	1000 V
Rated Impulse Voltage	6 kV	6 kV	6 kV
Rated Insulation Voltage	750 V acc. to EN 60998-1		
Rated Current	24 A		
Hole in PCB	ø 1,4 mm		
Torque	0,4 Nm		

## APPROVALS

	Current [A]	Voltage [V]	Group	AWG	[Nm]
	20	300	B	24 - 12	0,4
	20	150	C	24 - 12	0,4
	10	300	D	24 - 12	0,4
	20	300	B	24 - 12	0,4
	10	300	D, E	24 - 12	0,4

## CONFIGURATIONS

Poles	Part number	Article number	Length (L)	Packaging	PU
2	182-A-121/02	12.819.007	15,00 mm	Box	200
3	182-A-121/03	13.819.007	22,50 mm	Box	100
4	182-A-121/04	14.819.007	30,00 mm	Box	50
5	182-A-121/05	15.819.007	37,50 mm	Box	100
6	182-A-121/06	16.819.007	45,00 mm	Box	100

## MATERIAL

Moulding	PA, grey, V-0
Comparative Tracking Index	CTI ≥ 600
Insulating Group	I
Temperature Range	-40°C up to 100°C
Pressure clamp	Tin plated copper
Screw	M2,5; zinc plated steel, blue passivated
Solder pin	1,0 x 0,8 mm; tin plated copper
Terminal body	Zinc plated steel, blue passivated
Pressure plate	Brass, bright

## OPTIONS / ACCESSORIES

- Consecutive numbering
- Special marking according to drawing
- Self-adhesive marking strip BST-7,50
- Connected to larger number of poles

