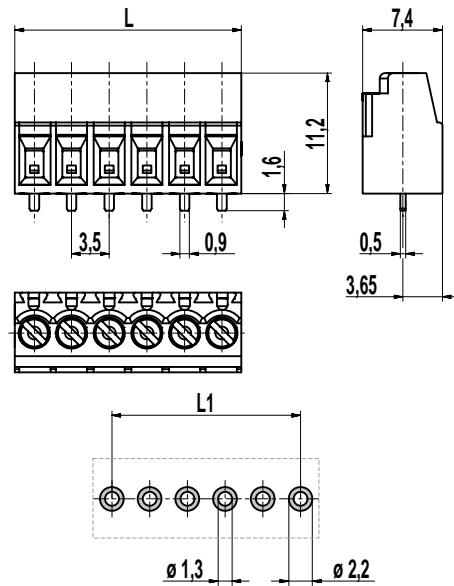


210-A-111-THR

PCB connector for THR
Screw connection



GENERAL INFORMATION

Pitch	3,5 mm
No. of poles	2 - 12

TECHNICAL DATA

Clamping Range	<i>solid / stranded / AWG</i> 0,14 - 1,5 mm ² / 0,14 - 1,5 mm ² / 30 - 16 AWG		
Rated Cross Section	1 mm ²		
Wire Stripping Length	5,5 mm ± 0,5 mm		
Overvoltage Category	III	III	II
Pollution Severity Level	3	2	2
Rated Voltage	160 V	160 V	320 V
Rated Impulse Voltage	2,5 kV	2,5 kV	2,5 kV
Rated Insulation Voltage	130 V acc. to EN 60998-1		
Rated Current	12,5 A		
Soldering process	Reflow solder		
Hole in PCB	ø 1,3 mm		
PCB thickness	1,6 mm		
Torque	0,2 Nm		

MATERIAL

Moulding	PA HT, black, V-0
Comparative Tracking Index	CTI ≥ 600
Insulating Group	I
Temperature Range	-40°C up to 120°C; reflow solder temperature peak max. 255°C acc. to DIN EN 61760-1
Terminal body	Nickel plated brass
Pressure clamp	Copper alloy, tin plated
Screw	M2; copper alloy, tin plated
Solder pin	Copper alloy, tin plated

OPTIONS / ACCESSORIES

- Marking according to customer requirement
- Self-adhesive marking strip [1]
- Version with anti-twist-peg
- Tape-on-Reel on request
- White housing colour on request
- Other solder pin lengths on request

[1] To be fitted after reflow soldering process

CONFIGURATIONS

Poles	Item	Article number	Length (L)	Packaging	PU
2	210-A-111-THR/02	10.804.102	7,00 mm	Box	250
3	210-A-111-THR/03	10.804.103	10,50 mm	Box	250
4	210-A-111-THR/04	10.804.104	14,00 mm	Box	250
5	210-A-111-THR/05	10.804.105	17,50 mm	Box	200
6	210-A-111-THR/06	10.804.106	21,00 mm	Box	200
7	210-A-111-THR/07	10.804.107	24,50 mm	Box	100
8	210-A-111-THR/08	10.804.108	28,00 mm	Box	100
9	210-A-111-THR/09	10.804.109	31,50 mm	Box	100
10	210-A-111-THR/10	10.804.110	35,00 mm	Box	100
11	210-A-111-THR/11	10.804.111	38,50 mm	Box	100
12	210-A-111-THR/12	10.804.112	42,00 mm	Box	100

further number of poles on request

