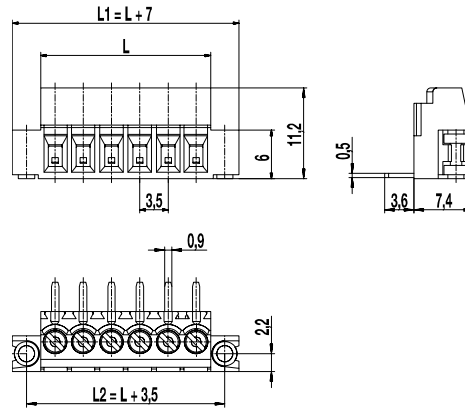
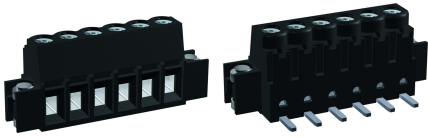


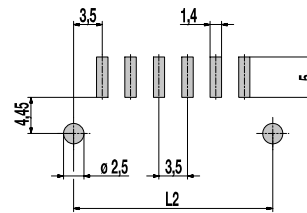
# 210-A-126-SMD

PCB connector for SMD  
Screw connection, with solder flanges



L = No. of poles x pitch

### PCB LAYOUT



Solder paste thickness:  
0.2 mm

### GENERAL INFORMATION

Pitch	3,5 mm
No. of poles	2 - 12

### TECHNICAL DATA

Clamping Range	solid / stranded / AWG		
	0,14 - 1,5 mm <sup>2</sup> / 0,14 - 1,5 mm <sup>2</sup> / 30 - 16 AWG		
Rated Cross Section	1 mm <sup>2</sup>		
Wire Stripping Length	5,5 mm ± 0,5 mm		
Overvoltage Category	III	III	II
Pollution Severity Level	3	2	2
Rated Voltage	160 V	160 V	320 V
Rated Impulse Voltage	2,5 kV	2,5 kV	2,5 kV
Rated Insulation Voltage	130 V acc. to EN 60998-1		
Rated Current	12,5 A		
Soldering process	Reflow solder		
Torque	0,2 Nm		

### APPROVALS

	Current [A]	Voltage [V]	Group	AWG	[Nm]
	10	300	B	30 - 16	0,23
	10	300	B	30 - 16	0,22

### MATERIAL

Moulding	PA HT, black, V-0
Comparative Tracking Index	CTI ≥ 600
Insulating Group	I
Temperature Range	-40°C up to 120°C; reflow solder temperature peak max. 255°C acc. to DIN EN 61760-1
Terminal body	Nickel plated brass
Pressure clamp	Copper alloy, tin plated
Screw	M2; copper alloy, tin plated
Solder pin	Copper alloy, tin plated
Solder cylinder	Tin plated brass

### OPTIONS / ACCESSORIES

- Self-adhesive marking strip BST-3,50 [1]
- White housing colour on request

[1] To be fitted after reflow soldering process

### CONFIGURATIONS

Poles	Part number	Article number	Length (L)	Packaging	PU	Tape Width	Tape Height
2	210-A-126-SMD/02	20.804.232	14,00 mm	Box	888		
3	210-A-126-SMD/03	20.804.233	17,50 mm	Box	696		
4	210-A-126-SMD/04	20.804.234	21,00 mm	Box	576		
6	210-A-126-SMD/06	20.804.236	28,00 mm	Box	432		
2	210-A-126-SMD/02-T&R	20.804.232.A00	14,00 mm	Tape-on-Reel	375	32 mm	12,0 mm
3	210-A-126-SMD/03-T&R	20.804.233.A00	17,50 mm	Tape-on-Reel	325	44 mm	14,6 mm
4	210-A-126-SMD/04-T&R	20.804.234.A00	21,00 mm	Tape-on-Reel	325	44 mm	14,6 mm
5	210-A-126-SMD/05-T&R	20.804.235.A00	24,50 mm	Tape-on-Reel	325	44 mm	14,6 mm
6	210-A-126-SMD/06-T&R	20.804.236.A00	28,00 mm	Tape-on-Reel	325	44 mm	14,6 mm

further number of poles on request

