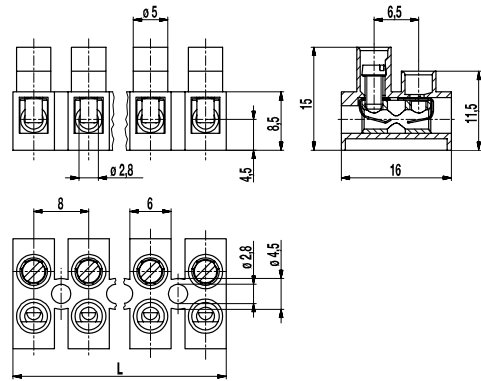


302-FB(-DS)

Plug-in terminal strip
Screw connection & socket with clamping spring



GENERAL INFORMATION

Pitch	8 mm
No. of poles	2 - 12
Usable with	302-SV(-DS), 302-SVG
Areas of application	Applications that require to easily open and close not energised circuits.

TECHNICAL DATA

Clamping Range	<i>solid / stranded / AWG</i>		
without wire protector	0,5 - 4 mm ² / 0,5 - 2,5 mm ² / 20 - 12 AWG		
with wire protector	0,34 - 2,5 mm ² / 0,34 - 1,5 mm ² / 22 - 14 AWG		
Rated Cross Section	1,5 mm ²		
Wire Stripping Length	5 mm ± 0,5 mm		
Overvoltage Category	III	III	II
Pollution Severity Level	3	2	2
Rated Voltage	160 V	160 V	320 V
Rated Impulse Voltage	2,5 kV	2,5 kV	2,5 kV
Rated Insulation Voltage	130 V acc. to EN 60998-1		
Rated Current	6 A		
Torque	0,4 Nm		
Other specifications	Rated values apply to use in combination with 302-SV(-DS) and without insulated substrates.		

APPROVALS

	Current [A]	Voltage [V]	Group	AWG	[Nm]
	6	300	B,D	20 - 14	0,4 [1]
	6	300	B,D,E	26 - 12	0,4 [1]

CONFIGURATIONS

Version	Poles	Item	Article number	Item	Article number	Length (L)	PU
Standard	2	302-FB/02	72.820.029	302-FB-DS/02	84.820.029	15,00 mm	250
Standard	3	302-FB/03	73.820.029	302-FB-DS/03	85.820.029	23,00 mm	250
Standard	4	302-FB/04	74.820.029	302-FB-DS/04	86.820.029	31,00 mm	250
Standard	5	302-FB/05	75.820.029	302-FB-DS/05	87.820.029	39,00 mm	80
Standard	6	302-FB/06	76.820.029	302-FB-DS/06	88.820.029	47,00 mm	80
Standard	7	302-FB/07	77.820.029	302-FB-DS/07	89.820.029	55,00 mm	50
Standard	8	302-FB/08	78.820.029	302-FB-DS/08	90.820.029	63,00 mm	50
Standard	9	302-FB/09	79.820.029	302-FB-DS/09	91.820.029	71,00 mm	50
Standard	10	302-FB/10	80.820.029	302-FB-DS/10	92.820.029	79,00 mm	40
Standard	11	302-FB/11	81.820.029	302-FB-DS/11	93.820.029	87,00 mm	40
Standard	12	302-FB/12	82.820.029	302-FB-DS/12	94.820.029	94,00 mm	40

MATERIAL

Moulding	PA, natural, V-2
Comparative Tracking Index	CTI ≥ 600
Insulating Group	I
Temperature Range	-40°C up to 100°C
Terminal body	Nickel plated brass
Screw	M2,6; zinc plated steel, blue passivated
Wire protector	Tin plated tin bronze
Spring	Stainless steel strip

OPTIONS / ACCESSORIES

- Marking options on the screw guides
- Marking strips BST-302
- Jumper 302-J
- Moulding made of special polyamide for e.g. household appliances

[1] For mounting on a suitable insulated surface, spacer or similar means

