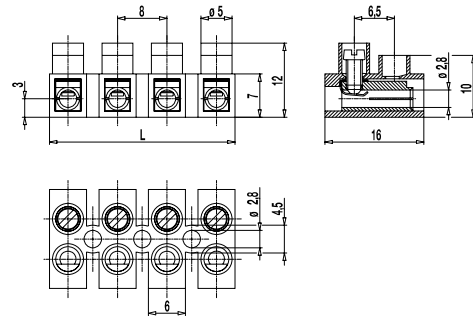


302-NSTB(-DS)

Plug-in terminal strip
Screw connection & socket, low profile version



GENERAL INFORMATION

Pitch	8 mm
No. of poles	2 - 12
Usable with	302-NSTS(-DS)
Areas of application	Applications that require to easily open and close not energised circuits.

TECHNICAL DATA

Clamping Range	<i>solid / stranded / AWG</i>		
<i>without wire protector</i>	0,5 - 4 mm ² / 0,5 - 2,5 mm ² / 20 - 12 AWG		
<i>with wire protector</i>	0,34 - 2,5 mm ² / 0,34 - 1,5 mm ² / 22 - 14 AWG		
Rated Cross Section	1,5 mm ²		
Wire Stripping Length	6 mm ± 0,5 mm		
Overvoltage Category	III	III	II
Pollution Severity Level	3	2	2
Rated Voltage	160 V	160 V	320 V
Rated Impulse Voltage	2,5 kV	2,5 kV	2,5 kV
Rated Insulation Voltage	130 V acc. to EN 60998-1		
Rated Current	6 A		
Torque	0,4 Nm		
Other specifications	Rated values apply to use in combination with 302-NSTS(-DS).		

APPROVALS

	Current [A]	Voltage [V]	Group	AWG	[Nm]
	10	300	B,D	22 - 14	0,4 [2]
	10	300	B,D,E	26 - 12	0,4 [1][2]

CONFIGURATIONS

Version	Poles	Item	Article number	Item	Article number	Length (L)	PU
Standard	2	302-NSTB/02	32.820.046	302-NSTB-DS/02	52.820.046	15,00 mm	250
Standard	3	302-NSTB/03	33.820.046	302-NSTB-DS/03	53.820.046	23,00 mm	250
Standard	4	302-NSTB/04	34.820.046	302-NSTB-DS/04	54.820.046	31,00 mm	200
Standard	5	302-NSTB/05	35.820.046	302-NSTB-DS/05	55.820.046	39,00 mm	100
Standard	6	302-NSTB/06	36.820.046	302-NSTB-DS/06	56.820.046	47,00 mm	80
Standard	7	302-NSTB/07	37.820.046	302-NSTB-DS/07	57.820.046	55,00 mm	80
Standard	8	302-NSTB/08	38.820.046	302-NSTB-DS/08	58.820.046	63,00 mm	80
Standard	9	302-NSTB/09	39.820.046	302-NSTB-DS/09	59.820.046	71,00 mm	60
Standard	10	302-NSTB/10	40.820.046	302-NSTB-DS/10	60.820.046	79,00 mm	50
Standard	11	302-NSTB/11	41.820.046	302-NSTB-DS/11	61.820.046	87,00 mm	50
Standard	12	302-NSTB/12	42.820.046	302-NSTB-DS/12	62.820.046	94,00 mm	40

MATERIAL

Moulding	PA, natural, V-2
Comparative Tracking Index	CTI ≥ 600
Insulating Group	I
Temperature Range	-40°C up to 100°C
Terminal body	Nickel plated brass
Screw	M2,6; zinc plated steel, blue passivated
Wire protector	Tin plated tin bronze

OPTIONS / ACCESSORIES

- Marking options on the screw guides
- Jumper 302-J
- Moulding made of special polyamide for e.g. household appliances
- Screws made out of brass
- Leading socket for the protective conductor pole

[1] for 302-NSTB-DS: 26 - 14 AWG

[2] For mounting on a suitable insulated surface, spacer or similar means

