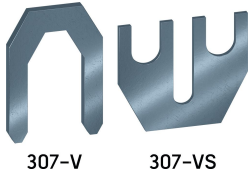


# 307-V/-VS

Jumpers  
Accessories

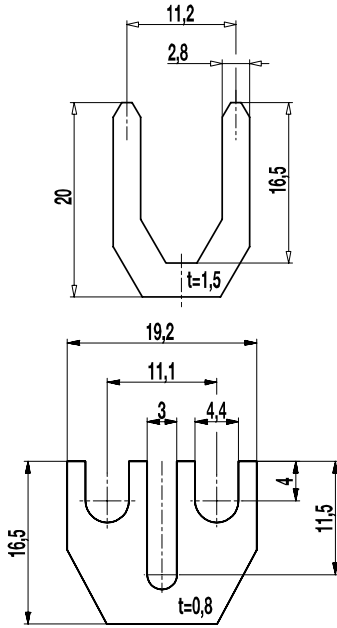


## General Information

Usable with      Tab/screw connector blocks 307-PCF; 3070-PCM

## Material

Jumpers      Nickel plated brass



Jumper 307-V is designed for the tab/screw connectors of series 307-PCF and 3070-PCM. By pushing them into to the tubular rivets from the top, it connects two adjacent poles to an impeccable electrical contact. This jumper cannot be used in combination with the cover caps.

Jumper 307-VS also connects two adjacent screw connections from the side (not SAK-types). Jumpers are made of nickel-plated brass and are supplied loose.

## Part Numbers

No. of poles	307-V	307-VS	PU
1	10.451.007	10.454.001	10 000