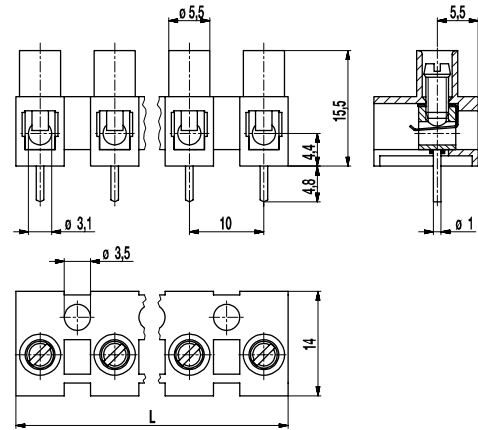
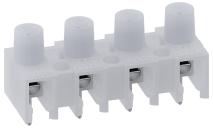


# 322-G(-DS)

Socket terminal strip  
Screw connection, with solder pin, for PCB



## GENERAL INFORMATION

Pitch	10 mm
No. of poles	2 - 12

## TECHNICAL DATA

Clamping Range	<i>solid / stranded / AWG</i>		
<i>without wire protector</i>	1 - 6 mm <sup>2</sup> / 1 - 2,5 mm <sup>2</sup> / 16 - 12 AWG		
<i>with wire protector</i>	0,75 - 4 mm <sup>2</sup> / 0,75 - 2,5 mm <sup>2</sup> / 18 - 12 AWG		
Rated Cross Section	2,5 mm <sup>2</sup>		
Wire Stripping Length	8 mm ± 0,5 mm		
Overvoltage Category	III	III	II
Pollution Severity Level	3	2	2
Rated Voltage	1000 V	1000 V	1000 V
Rated Impulse Voltage	8 kV	8 kV	6 kV
Rated Insulation Voltage	750 V acc. to EN 60998-1		
Rated Current	15 A		
Hole in PCB	ø 1,3 mm		
Torque	0,5 Nm		

## APPROVALS

	Current [A]	Voltage [V]	Group	AWG	[Nm]
	20	300	B	18 - 12	0,51
	20	300	B	26-10 [1]	0,51
	10	300	D,E	26-10 [1]	0,51

## CONFIGURATIONS

Version	Poles	Item	Article number	Item	Article number	Length (L)	PU
Standard	2	322-G/02	12.821.003	322-G-DS/02	32.821.003	17,00 mm	250
Standard	3	322-G/03	13.821.003	322-G-DS/03	33.821.003	27,00 mm	250
Standard	4	322-G/04	14.821.003	322-G-DS/04	34.821.003	37,00 mm	200
Standard	5	322-G/05	15.821.003	322-G-DS/05	35.821.003	47,00 mm	100
Standard	6	322-G/06	16.821.003	322-G-DS/06	36.821.003	57,00 mm	100
Standard	7	322-G/07	17.821.003	322-G-DS/07	37.821.003	67,00 mm	50
Standard	8	322-G/08	18.821.003	322-G-DS/08	38.821.003	77,00 mm	50
Standard	9	322-G/09	19.821.003	322-G-DS/09	39.821.003	87,00 mm	50
Standard	10	322-G/10	20.821.003	322-G-DS/10	40.821.003	97,00 mm	50
Standard	11	322-G/11	21.821.003	322-G-DS/11	41.821.003	107,00 mm	50
Standard	12	322-G/12	22.821.003	322-G-DS/12	42.821.003	117,00 mm	50

## MATERIAL

Moulding	PA, natural, V-2
Comparative Tracking Index	CTI ≥ 600
Insulating Group	I
Temperature Range	-40°C up to 100°C
Terminal body	Tin plated brass
Screw	M3; zinc plated steel, blue passivated
Solder pin	ø 1 mm; tin plated copper
Wire protector	Tin plated tin bronze

## OPTIONS / ACCESSORIES

- Marking strips BST-322
- Jumper 322-J
- Longer solder pins up to 75 mm
- Large conductor space up to 4 mm<sup>2</sup>

[1] for 322-G-DS: 26 - 12 AWG

