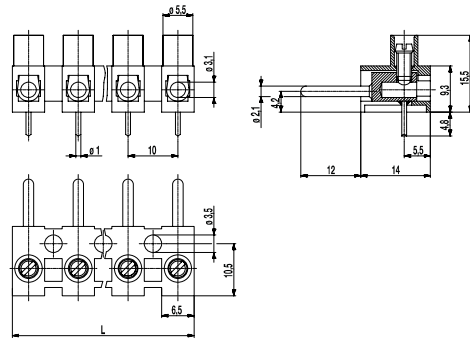


# 322-SVG

Plug-in terminal strip  
Screw connection & pin, with solder pin, for PCB



## GENERAL INFORMATION

Pitch	10 mm
No. of poles	2 - 12
Usable with	323-FB(-HDS)

## TECHNICAL DATA

Clamping Range	<i>solid / stranded / AWG</i> 0,5 - 4 mm <sup>2</sup> / 0,5 - 2,5 mm <sup>2</sup> / 20 - 12 AWG		
Rated Cross Section	2,5 mm <sup>2</sup>		
Wire Stripping Length	5 mm ± 0,5 mm		
Overvoltage Category	III	III	II
Pollution Severity Level	3	2	2
Rated Voltage	500 V	630 V	1000 V
Rated Impulse Voltage	6 kV	6 kV	6 kV
Rated Insulation Voltage	750 V acc. to EN 60998-1		
Rated Current	10 A		
Hole in PCB	ø 1,3 mm		
Other specifications	Rated values apply to use in combination with 323-FB(-HDS).		

## APPROVALS

	Current [A]	Voltage [V]	Group	AWG	[Nm]
	20	300	B	18 - 12	0,51
	15	300	B	26-10 [1]	0,51
	10	150	D,E	26-10 [1]	0,51

## CONFIGURATIONS

Version	Poles	Item	Article number	Length (L)	PU
Standard	2	322-SVG/02	72.821.013	18,00 mm	250
Standard	3	322-SVG/03	73.821.013	28,00 mm	250
Standard	4	322-SVG/04	74.821.013	38,00 mm	200
Standard	5	322-SVG/05	75.821.013	48,00 mm	100
Standard	6	322-SVG/06	76.821.013	58,00 mm	100
Standard	7	322-SVG/07	77.821.013	68,00 mm	70
Standard	8	322-SVG/08	78.821.013	78,00 mm	70
Standard	9	322-SVG/09	79.821.013	88,00 mm	60
Standard	10	322-SVG/10	80.821.013	98,00 mm	50
Standard	11	322-SVG/11	81.821.013	108,00 mm	50
Standard	12	322-SVG/12	82.821.013	117,00 mm	50

## MATERIAL

Moulding	PA, natural, V-2
Comparative Tracking Index	CTI ≥ 600
Insulating Group	I
Temperature Range	-40°C up to 100°C
Terminal body	Tin plated brass
Screw	M3; zinc plated steel, blue passivated
Solder pin	ø 1 mm; tin plated copper
Spring	Stainless strip steel

## OPTIONS / ACCESSORIES

- Marking strips BST-322
- Longer solder pins up to 75 mm
- Leading plug for the protective conductor pole

[1] in combination with 323-FB(-HDS): 26 - 12 AWG

