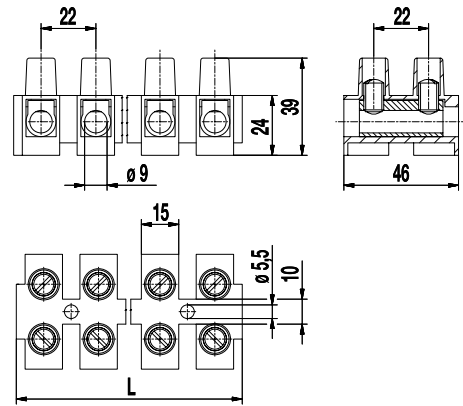


# 329

Socket terminal strip  
Screw connection



## GENERAL INFORMATION

Pitch	22 mm
No. of poles	1 - 12

## TECHNICAL DATA

Clamping Range	<i>solid / stranded / AWG</i>
	10 - 35 mm <sup>2</sup> / 10 - 25 mm <sup>2</sup> / 8 - 2 AWG
Rated Cross Section	35 mm <sup>2</sup>
Wire Stripping Length	14 mm
Rated Insulation Voltage	750 V acc. to EN 60998-1
Rated Current	125 A

## APPROVALS

	Current [A]	Voltage [V]	Group	AWG	[Nm]
	115	600	B,C	8 - 2	3,5

## MATERIAL

Moulding	PA, black, UL 94, V-2
Comparative Tracking Index	CTI 1 (400-599)
Temperature Range	-30°C up to 120°C
Terminal body	Nickel plated brass
Screw	M8; Zinc plated steel, blue passivated

## OPTIONS / ACCESSORIES

- Consecutive numbering
- Special marking according to drawing
- Other colours available upon request

## CONFIGURATIONS

Version	Poles	Item	Article number	Length (L)	PU
Standard	12	329/12	22.828.101	264,00 mm	10

