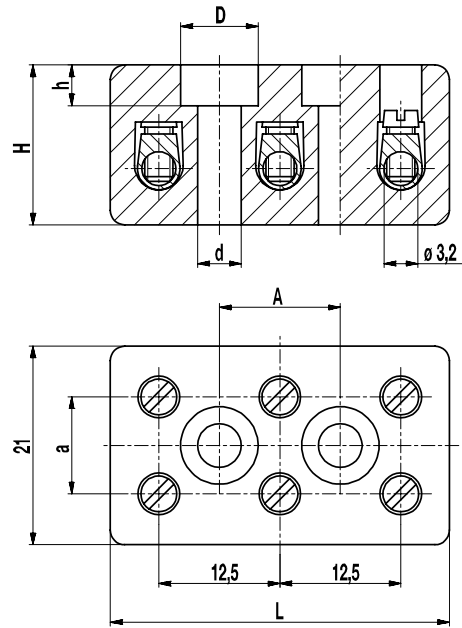


4002-B / 4003-B

Socket terminal blocks with mounting holes



Dimensions (mm)

| Type | L | H | A | a | h | D | d |
|--------|----|------|------|----|-----|-------|-------|
| 4002-B | 24 | 16,5 | — | 9 | 4,5 | ø 7,5 | ø 4,5 |
| 4003-B | 36 | 16 | 12,5 | 10 | 4,2 | ø 8 | ø 4,3 |

GENERAL INFORMATION

No. of poles 2 + 3

TECHNICAL DATA

| | |
|--------------------------|---|
| Clamping Range | <i>solid / stranded / AWG</i> 0,75 - 6 mm ² / 0,25 - 2,5 mm ² / 24 - 14 AWG [1] |
| Rated Cross Section | 2,5 mm ² |
| Wire Stripping Length | 6 mm ± 0,5 mm |
| Rated Insulation Voltage | 450 V acc. to EN 60998-1 |
| Torque | 0,5 Nm |
| Base mounting | Recommendation: Screw M4 with matching washer; max. torque 1.5 Nm; use of an elastic & insulating substrate. |
| Other specifications | Terminal blocks must not be strung together without considering the clearance and creepage distances. |

MATERIAL

| | |
|----------------------------|--|
| Moulding | Technical ceramics |
| Comparative Tracking Index | CTI ≥ 600 |
| Insulating Group | I |
| Temperature Range | -40°C up to 250°C |
| Terminal body | Nickel plated brass |
| Screw | M3; Zinc plated steel, blue passivated |

[1] The clamping range for flexible and AWG conductors was determined using ferrules. Use of flexible conductors without ferrules is not recommended.

CONFIGURATIONS

| Item | Article number | PU |
|--------|----------------|-----|
| 4002-B | 10.610.006 | 160 |
| 4003-B | 10.610.007 | 126 |

