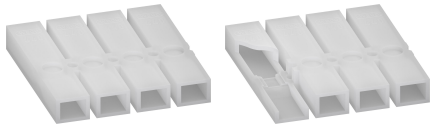


440-PA

Flat plug guide
for tab connections 6,3 mm

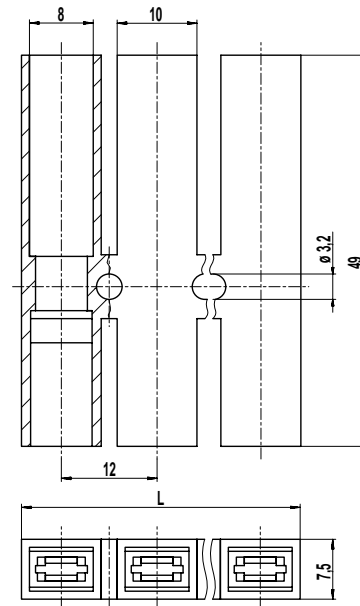


GENERAL INFORMATION

Pitch	12 mm
No. of poles	1 - 12

TECHNICAL DATA

Clamping Range	<i>solid / stranded / AWG</i>	
	6,0 mm ² / 10 AWG	
Overvoltage Category	III	
Pollution Severity Level	2	
Rated Voltage	630 V	
Rated Impulse Voltage	6 kV	
Rated Current	20 A: with receptacle 6,3; wire 6,0 mm ² (10 AWG)	



MATERIAL

Moulding	PA, natural, V-2
Comparative Tracking Index	CTI ≥ 600
Insulating Group	I
Temperature Range	-40°C up to 100°C

CONFIGURATIONS

Poles	Item	Article number	Length (L)	A *	PU
1	440-PA/01	20.830.011	10,00 mm		15 000
2	440-PA/02	20.830.012	22,00 mm		1000
3	440-PA/03	20.830.013	34,00 mm	12,00	500
4	440-PA/04	20.830.014	46,00 mm	24,00	500
5	440-PA/05	20.830.015	58,00 mm	36,00	100
6	440-PA/06	20.830.016	70,00 mm	48,00	100
7	440-PA/07	20.830.017	82,00 mm	60,00	100
8	440-PA/08	20.830.018	94,00 mm	72,00	100
9	440-PA/09	20.830.019	106,00 mm	84,00	100
10	440-PA/10	20.830.020	118,00 mm	96,00	70
11	440-PA/11	20.830.021	130,00 mm	108,00	60
12	440-PA/12	20.830.022	142,00 mm	120,00	60

