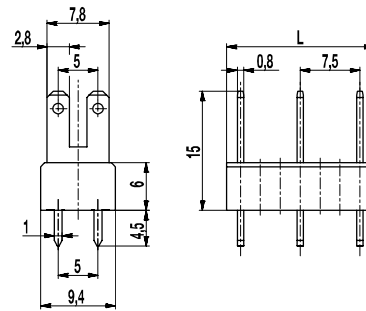
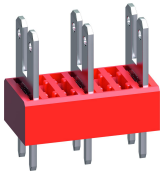


# 900-SH-7,5

Tab connector  
Tab 2x 2,8 mm



## GENERAL INFORMATION

Pitch	7,5 mm
No. of poles	2 - 17

## TECHNICAL DATA

Overvoltage Category	III	III	II
Pollution Severity Level	3	2	2
Rated Voltage	500 V	630 V	1000 V
Rated Impulse Voltage	6 kV	6 kV	6 kV
Rated Insulation Voltage	750 V acc. to EN 60998-1		
Rated Current	7,5 A: with receptacles 2,8; wire 1 mm <sup>2</sup> (16 AWG)		
Hole in PCB	ø 1,6 mm		
Other specifications	Indicated rated voltages refer to applications with insulation receptacles		

## APPROVALS

	Current [A]	Voltage [V]	Group	AWG	[Nm]
	15	300	B		
	15	150	C		
	15	300	B		
	10	300	D, E		

## MATERIAL

Moulding	PA, red, V-0
Comparative Tracking Index	CTI ≥ 600
Insulating Group	I
Temperature Range	-40°C up to 100°C
Solder pin	1,0 x 0,8 mm; tin plated brass
Tab	2,8 x 0,8 mm; tin plated brass

## OPTIONS / ACCESSORIES

- Consecutive numbering
- Special marking according to drawing
- Self-adhesive marking strip BST-7,50
- Insulation receptacles ISO
- Change of pitch
- Component mix of tab connector versions
- Tab connectors are also individually available (see single tabs GST-900)

## CONFIGURATIONS

Poles	Part number	Article number	Length (L)	Packaging	PU
2	900-SH-7,5/02	37.870.903	11,00 mm	Box	250
3	900-SH-7,5/03	37.870.904	18,50 mm	Box	200
4	900-SH-7,5/04	37.870.906	26,00 mm	Box	100
5	900-SH-7,5/05	37.870.907	33,50 mm	Box	100
6	900-SH-7,5/06	37.870.909	41,00 mm	Box	100

