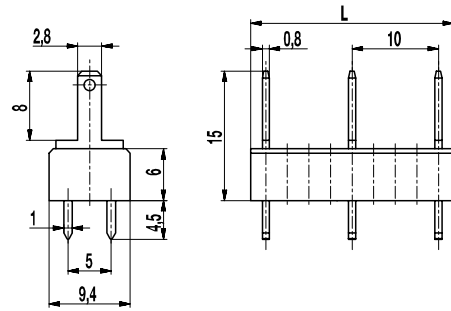
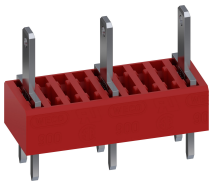


# 900-SUB-10

Tab connector  
Tab 2,8 mm



## GENERAL INFORMATION

|              |        |
|--------------|--------|
| Pitch        | 10 mm  |
| No. of poles | 2 - 13 |

## TECHNICAL DATA

|                          |  |       |        |
|--------------------------|--|-------|--------|
| Overvoltage Category     | III  | III   | II     |
| Pollution Severity Level | 3  | 2     | 2      |
| Rated Voltage            | 630 V  | 630 V | 1000 V |
| Rated Impulse Voltage    | 6 kV   | 6 kV  | 6 kV   |
| Rated Insulation Voltage | 750 V acc. to EN 60998-1   |       |        |
| Rated Current            | 7,5 A: with receptacles 2,8; wire 1 mm <sup>2</sup> (16 AWG)               |       |        |
| Hole in PCB              | ø 1,6 mm   |       |        |
| Other specifications     | Indicated rated voltages refer to applications with insulation receptacles |       |        |

## APPROVALS

|  | Current [A] | Voltage [V] | Group   | AWG | [Nm] |
|--|-------------|-------------|---------|-----|------|
|  | 15          | 300         | B       |     |      |
|  | 15          | 150         | C       |     |      |
|  | 6           | 300         | B, D, E |     |      |

## MATERIAL

|                            |                                |
|----------------------------|--------------------------------|
| Moulding                   | PA, red, V-0                   |
| Comparative Tracking Index | CTI ≥ 600                      |
| Insulating Group           | I                              |
| Temperature Range          | -40°C up to 100°C              |
| Solder pin                 | 1,0 x 0,8 mm; tin plated brass |
| Tab                        | 2,8 x 0,8 mm; tin plated brass |

## OPTIONS / ACCESSORIES

- Consecutive numbering
- Special marking according to drawing
- Self-adhesive marking strip BST-10,00
- Insulation receptacles ISO
- Insulation sockets ISO-900
- Change of pitch
- Component mix of tab connector versions
- Tab connectors are also individually available (see single tabs GST-900)

## CONFIGURATIONS

| Poles | Item          | Article number | Length (L) | Packaging | PU  |
|-------|---------------|----------------|------------|-----------|-----|
| 2     | 900-SUB-10/02 | 13.870.903     | 13,50 mm   | Box       | 250 |
| 3     | 900-SUB-10/03 | 13.870.905     | 23,50 mm   | Box       | 250 |
| 4     | 900-SUB-10/04 | 13.870.907     | 33,50 mm   | Box       | 250 |
| 5     | 900-SUB-10/05 | 13.870.909     | 43,50 mm   | Box       | 250 |
| 6     | 900-SUB-10/06 | 13.870.911     | 53,50 mm   | Box       | 250 |
| 7     | 900-SUB-10/07 | 13.870.913     | 63,50 mm   | Box       | 100 |
| 8     | 900-SUB-10/08 | 13.870.915     | 73,50 mm   | Box       | 100 |
| 9     | 900-SUB-10/09 | 13.870.917     | 83,50 mm   | Box       | 100 |
| 10    | 900-SUB-10/10 | 13.870.919     | 93,50 mm   | Box       | 100 |
| 11    | 900-SUB-10/11 | 13.870.921     | 103,50 mm  | Box       | 100 |
| 12    | 900-SUB-10/12 | 13.870.923     | 113,50 mm  | Box       | 100 |

further number of poles on request

