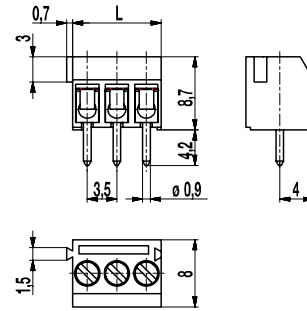
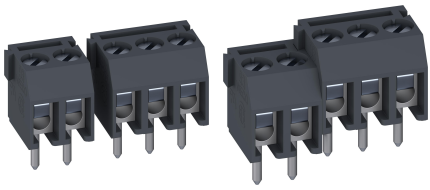


930-T(-DS)

PCB connector
Screw connection, interlocking



GENERAL INFORMATION

Pitch	3,5 mm
No. of poles	2 + 3

TECHNICAL DATA

Clamping Range	<i>solid / stranded / AWG</i>		
<i>without wire protector</i>	0,75 - 1,5 mm ² / 0,75 - 1,5 mm ² / 18 - 16 AWG		
<i>with wire protector</i>	0,34 - 1,5 mm ² / 0,34 - 1 mm ² / 22 - 16 AWG		
Rated Cross Section	1 mm ²		
Wire Stripping Length	5 mm ± 0,5 mm		
Overvoltage Category	III	III	II
Pollution Severity Level	3	2	2
Rated Voltage	160 V	160 V	320 V
Rated Impulse Voltage	2,5 kV	2,5 kV	2,5 kV
Rated Insulation Voltage	130 V acc. to EN 60998-1		
Rated Current	13,5 A		
Hole in PCB	ø 1,2 mm		
Torque	0,2 Nm		

APPROVALS

	Current [A]	Voltage [V]	Group	AWG	[Nm]
	10	300	B	26 - 16	0,23
	10	300	B	26 - 16	0,2

CONFIGURATIONS

Poles	Item	Article number	Item	Article number	Length (L)	Packaging	PU
2	930-T/02	30.870.002	930-T-DS/02	40.870.002	7,00 mm	Box	250
3	930-T/03	30.870.003	930-T-DS/03	40.870.003	10,50 mm	Box	250

MATERIAL

Moulding	PA, grey, V-0
Comparative Tracking Index	CTI ≥ 600
Insulating Group	I
Temperature Range	-40°C up to 100°C
Terminal body	Tin plated brass
Screw	M2; zinc plated steel, blue passivated
Solder pin	ø 0,9 mm; tin plated brass
Wire protector	German silver

OPTIONS / ACCESSORIES

- Marking according to customer requirement
- Self-adhesive marking strip BST-3,50
- Pitch of 7 mm for larger clearance and creepage distances

