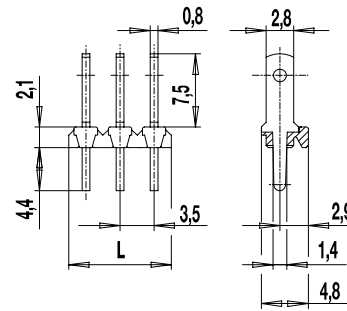


931-FST

Tab connector



GENERAL INFORMATION

Pitch	3,5 mm
No. of poles	2 - 16
Usable with	plug connector 938-FLDS; receptacle B 2,8

TECHNICAL DATA

Overvoltage Category	III	III	II
Pollution Severity Level	3	2	2
Rated Voltage	160 V	160 V	250 V
Rated Impulse Voltage	2,5 kV	2,5 kV	2,5 kV
Rated Insulation Voltage	130 V acc. to EN 60998-1		
Rated Current	7,5 A: with receptacles 2,8; wire 1 mm ² (16 AWG)		
Hole in PCB	ø 1,8 mm		
Other specifications	Rated voltage with insulated receptacles		

APPROVALS

	Current [A]	Voltage [V]	Group	AWG	[Nm]
	6	300	B		
	6	300	B		

MATERIAL

Moulding	PA, grey, V-0
Comparative Tracking Index	CTI 250
Insulating Group	IIIa
Temperature Range	-40°C up to 100°C
Solder pin	1,4 x 0,8 mm; tin plated brass
Tab	2,8 x 0,8 mm; tin plated brass

OPTIONS / ACCESSORIES

- Pitch of 7 mm for larger clearance and creepage distances

CONFIGURATIONS

Poles	Part number	Article number	Length (L)	Packaging	PU
2	931-FST/02	12.893.705	7,00 mm	Box	1000
3	931-FST/03	13.893.705	10,50 mm	Box	1000
4	931-FST/04	14.893.705	14,00 mm	Box	500
5	931-FST/05	15.893.705	17,50 mm	Box	500
6	931-FST/06	16.893.705	21,00 mm	Box	500

