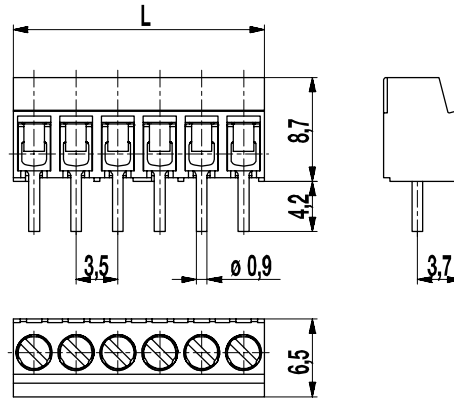
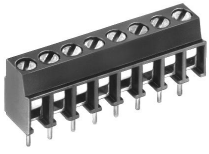


938(-DS)

PCB connector

Screw connection, large conductor space



GENERAL INFORMATION

| | |
|--------------|--------|
| Pitch | 3,5 mm |
| No. of poles | 2 - 24 |

TECHNICAL DATA

| | | | |
|-------------------------------|---|--------|--------|
| Clamping Range | <i>solid / stranded / AWG</i> | | |
| <i>without wire protector</i> | 0,75 - 1,5 mm ² / 0,75 - 1,5 mm ² / 18 - 16 AWG | | |
| <i>with wire protector</i> | 0,34 - 1,5 mm ² / 0,34 - 1,5 mm ² / 22 - 16 AWG | | |
| Rated Cross Section | 1 mm ² | | |
| Wire Stripping Length | 5 mm ± 0,5 mm | | |
| Overvoltage Category | III | III | II |
| Pollution Severity Level | 3 | 2 | 2 |
| Rated Voltage | 160 V | 160 V | 320 V |
| Rated Impulse Voltage | 2,5 kV | 2,5 kV | 2,5 kV |
| Rated Insulation Voltage | 130 V acc. to EN 60998-1 | | |
| Rated Current | 13,5 A | | |
| Hole in PCB | ø 1,2 mm | | |
| Torque | 0,2 Nm | | |

APPROVALS

| | Current [A] | Voltage [V] | Group | AWG | [Nm] |
|--|-------------|-------------|-------|---------|------|
| | 10 | 300 | B | 26 - 16 | 0,23 |
| | 10 | 300 | B | 26 - 16 | 0,2 |

MATERIAL

| | |
|----------------------------|--|
| Moulding | PA, grey, V-0 |
| Comparative Tracking Index | CTI ≥ 600 |
| Insulating Group | I |
| Temperature Range | -40°C up to 100°C |
| Terminal body | Tin plated brass |
| Screw | M2; zinc plated steel, blue passivated |
| Solder pin | ø 0,9 mm; tin plated brass |
| Wire protector | German silver |

OPTIONS / ACCESSORIES

- Consecutive numbering
- Special marking according to drawing
- Self-adhesive marking strip BST-3,50
- Pitch of 7 mm for larger clearance and creepage distances

CONFIGURATIONS

| Poles | Part number | Article number | Part number | Article number | Length (L) | Packaging | PU |
|-------|-------------|----------------|-------------|----------------|------------|-----------|-----|
| 2 | 938/02 | 30.870.402 | 938-DS/02 | 40.870.402 | 7,00 mm | Box | 250 |
| 3 | 938/03 | 30.870.403 | 938-DS/03 | 40.870.403 | 10,50 mm | Box | 250 |
| 4 | 938/04 | 30.870.404 | 938-DS/04 | 40.870.404 | 14,00 mm | Box | 250 |
| 5 | 938/05 | 30.870.405 | 938-DS/05 | 40.870.405 | 17,50 mm | Box | 200 |
| 6 | 938/06 | 30.870.406 | 938-DS/06 | 40.870.406 | 21,00 mm | Box | 200 |

