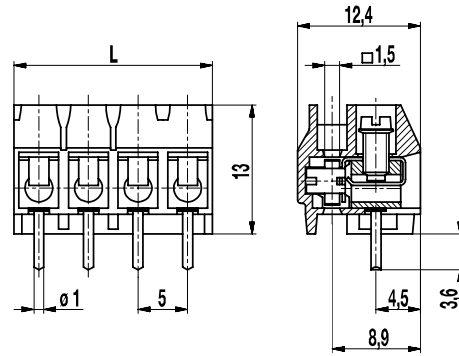
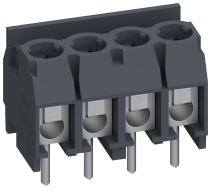


950-GFL-DS

Plug connector
Screw connection, with solder pin



GENERAL INFORMATION

Pitch	5 mm
No. of poles	2 - 24
Usable with	pin strips of series 971

TECHNICAL DATA

Clamping Range	solid / stranded / AWG		
	0,34 - 2,5 mm ² / 0,34 - 1,5 mm ² / 22 - 14 AWG		
Rated Cross Section	1,5 mm ²		
Wire Stripping Length	6 mm ± 0,5 mm		
Overvoltage Category	III	III	II
Pollution Severity Level	3	2	2
Rated Voltage	250 V (200 V)	320 V	630 V (400 V)
Rated Impulse Voltage	4 kV	4 kV	4 kV
Rated Insulation Voltage	250 V acc. to EN 60998-1		
Rated Current	8 A		
Torque	0,4 Nm		
Other specifications	Voltage data in brackets are valid for 13-24 poles types. 2-12 pole types are "no-flame" acc. to glow-wire test.		

APPROVALS

	Current [A]	Voltage [V]	Group	AWG	[Nm]
	10	300	B	26 - 14	0,4
	10	300	B	26 - 14	0,4

CONFIGURATIONS

Poles	Item	Article number	Length (L)	Packaging	PU
2	950-GFL-DS/02	20.871.952	10,00 mm	Box	250
3	950-GFL-DS/03	20.871.953	15,00 mm	Box	250
4	950-GFL-DS/04	20.871.954	20,00 mm	Box	250
5	950-GFL-DS/05	20.871.955	25,00 mm	Box	100
6	950-GFL-DS/06	20.871.956	30,00 mm	Box	100
7	950-GFL-DS/07	20.871.957	35,00 mm	Box	100
8	950-GFL-DS/08	20.871.958	40,00 mm	Box	100
9	950-GFL-DS/09	20.871.959	45,00 mm	Box	100
10	950-GFL-DS/10	20.871.960	50,00 mm	Box	50
11	950-GFL-DS/11	20.871.961	55,00 mm	Box	50
12	950-GFL-DS/12	20.871.962	60,00 mm	Box	50

further number of poles on request

MATERIAL

Moulding	PA, grey, V-0
Comparative Tracking Index	2-12 poles: CTI ≥ 600; 13-24 poles: CTI 400
Insulating Group	2-12 poles: I; 13-24 poles: II
Temperature Range	-40°C up to 100°C
Terminal body	Nickel plated brass
Screw	M2,6; zinc plated steel, blue passivated
Wire protector	Tin plated tin bronze
Spring	Tin plated tin bronze

OPTIONS / ACCESSORIES

- Marking according to customer requirement
- Self-adhesive marking strip BST-5,00
- Pitch of 10 mm for larger clearance and creepage distances

