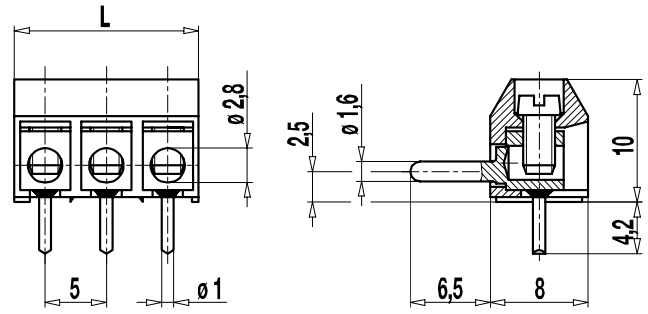
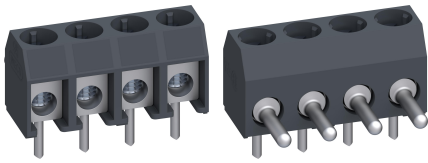


950-SVG

Plug connector
Screw connection, with solder pin



GENERAL INFORMATION

Pitch	5 mm
No. of poles	2 - 32
Usable with	plug connector 971-FBS
Additional Information	Can be used as a three-way contact

TECHNICAL DATA

Clamping Range	<i>solid / stranded / AWG</i> 0,75 - 4 mm ² / 0,75 - 2,5 mm ² / 18 - 12 AWG		
Rated Cross Section	1,5 mm ²		
Wire Stripping Length	5 mm ± 0,5 mm		
Overvoltage Category	III	III	II
Pollution Severity Level	3	2	2
Rated Voltage	160 V	160 V	320 V
Rated Impulse Voltage	2,5 kV	2,5 kV	2,5 kV
Rated Insulation Voltage	130 V acc. to EN 60998-1		
Rated Current	6 A		
Hole in PCB	ø 1,3 mm		
Torque	0,4 Nm		
Other specifications	2-8 poles types are "no-flame" acc. to glow-wire test.		

APPROVALS

	Current [A]	Voltage [V]	Group	AWG	[Nm]
	7	300	B	26 - 14	0,4
	7	300	B	26 - 14	0,4

CONFIGURATIONS

Poles	Item	Article number	Length (L)	Packaging	PU
2	950-SVG/02	90.871.012	10,00 mm	Box	200
3	950-SVG/03	90.871.083	15,00 mm	Box	100
4	950-SVG/04	90.871.084	20,00 mm	Box	100
5	950-SVG/05	90.871.085	25,00 mm	Box	100
6	950-SVG/06	90.871.086	30,00 mm	Box	50
7	950-SVG/07	90.871.022	35,00 mm	Box	50
8	950-SVG/08	90.871.018	40,00 mm	Box	50
9	950-SVG/09	90.871.019	45,00 mm	Box	50
10	950-SVG/10	90.871.020	50,00 mm	Box	50
11	950-SVG/11	90.871.021	55,00 mm	Box	50
12	950-SVG/12	90.871.082	60,00 mm	Box	50

further number of poles on request

MATERIAL

Moulding	PA, grey, V-0
Comparative Tracking Index	2-8 poles: CTI ≥ 600; 9-32 poles: CTI 400
Insulating Group	2-8 poles: I; 9-32 poles: II
Temperature Range	-40°C up to 100°C
Terminal body	Tin plated brass
Screw	M2,6; zinc plated steel, blue passivated
Solder pin	ø 1 mm; tin plated copper
Plug	ø 1,6 mm; tin plated brass

OPTIONS / ACCESSORIES

- Marking according to customer requirement
- Self-adhesive marking strip BST-5,00
- Pitch of 10 mm for larger clearance and creepage distances
- Longer solder pins up to 75 mm

