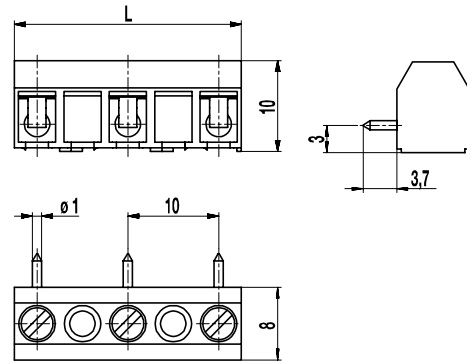
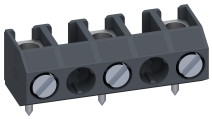


# 953(-DS)

PCB connector

Screw connection, wire entrance vertical to PCB



## GENERAL INFORMATION

Pitch	10 mm
No. of poles	2 - 16

## TECHNICAL DATA

Clamping Range	<i>solid / stranded / AWG</i>		
<i>without wire protector</i>	0,75 - 4 mm <sup>2</sup> / 0,75 - 2,5 mm <sup>2</sup> / 18 - 12 AWG		
<i>with wire protector</i>	0,34 - 2,5 mm <sup>2</sup> / 0,34 - 2,5 mm <sup>2</sup> / 22 - 14 AWG		
Rated Cross Section	1,5 mm <sup>2</sup>		
Wire Stripping Length	5 mm ± 0,5 mm		
Overvoltage Category	III	III	II
Pollution Severity Level	3	2	2
Rated Voltage	630 V (500 V)	630 V	1000 V
Rated Impulse Voltage	6 kV	6 kV	6 kV
Rated Insulation Voltage	750 V acc. to EN 60998-1		
Rated Current	17,5 A		
Hole in PCB	ø 1,3 mm		
Torque	0,4 Nm		
Other specifications	Rated voltage in brackets applies to 5-16-pole connectors, "no-flame" according to glow wire test applies to 2-4-pole connectors.		

## APPROVALS

	Current [A]	Voltage [V]	Group	AWG	[Nm]
	15	300	B	26 - 14	0,4
	10	300	D	26 - 14	0,4
	15	300	B	26 - 14	0,4
	10	300	D, E	26 - 14	0,4

## CONFIGURATIONS

Poles	Item	Article number	Item	Article number	Length (L)	Packaging	PU
2	953/02	12.871.083	953-DS/02	22.871.083	15,00 mm	Box	250
3	953/03	12.871.085	953-DS/03	22.871.085	25,00 mm	Box	100
4	953/04	12.871.022	953-DS/04	22.871.022	35,00 mm	Box	100
5	953/05	12.871.019	953-DS/05	22.871.019	45,00 mm	Box	100
6	953/06	12.871.021	953-DS/06	22.871.021	55,00 mm	Box	100
7	953/07	12.871.023	953-DS/07	22.871.023	65,00 mm	Box	100
8	953/08	12.871.025	953-DS/08	22.871.025	75,00 mm	Box	100
9	953/09	12.871.027	953-DS/09	22.871.027	85,00 mm	Box	100
10	953/10	12.871.029	953-DS/10	22.871.029	95,00 mm	Box	100
11	953/11	12.871.031	953-DS/11	22.871.031	105,00 mm	Box	100
12	953/12	12.871.039	953-DS/12	22.871.039	115,00 mm	Box	100

further number of poles on request

## MATERIAL

Moulding	PA, grey, V-0
Comparative Tracking Index	2-4 poles: CTI ≥ 600; 5-16 poles: CTI 400
Insulating Group	2-4 poles: I; 5-16 poles: II
Temperature Range	-40°C up to 100°C
Terminal body	Tin plated brass
Screw	M2,6; zinc plated steel, blue passivated
Solder pin	ø 1 mm; tin plated copper
Wire protector	Tin plated tin bronze

## OPTIONS / ACCESSORIES

- Marking according to customer requirement
- Self-adhesive marking strip BST-10,00

