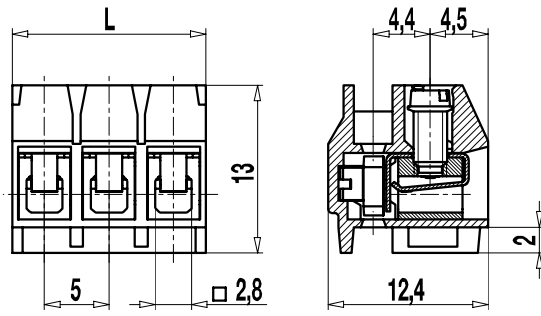


958-FL-DS

Plug connector
Screw connection, large conductor space



GENERAL INFORMATION

Pitch	5 mm
No. of poles	2 - 8
Usable with	pin strips of series 971

TECHNICAL DATA

Clamping Range	<i>solid / stranded / AWG</i>		
	0,34 - 2,5 mm ² / 0,34 - 2,5 mm ² / 22 - 14 AWG		
Rated Cross Section	1,5 mm ²		
Wire Stripping Length	6 mm ± 0,5 mm		
Overvoltage Category	III	III	II
Pollution Severity Level	3	3	2
Rated Voltage	320 V	320 V	630 V
Rated Impulse Voltage	4 kV	4 kV	4 kV
Rated Insulation Voltage	250 V acc. to EN 60998-1		
Rated Current	8 A		
Torque	0,4 Nm		
Other specifications	By use with pins LST-1,3: III-3-160V-2,5 kV		

APPROVALS

	Current [A]	Voltage [V]	Group	AWG	[Nm]
	10	300	B	26 - 14	0,4
	10	300	B	26 - 14	0,4

CONFIGURATIONS

Poles	Item	Article number	Length (L)	Packaging	PU
2	958-FL-DS/02	40.871.732	10,00 mm	Box	250
3	958-FL-DS/03	40.871.733	15,00 mm	Box	250
4	958-FL-DS/04	40.871.734	20,00 mm	Box	250
5	958-FL-DS/05	40.871.735	25,00 mm	Box	100
6	958-FL-DS/06	40.871.736	30,00 mm	Box	100
7	958-FL-DS/07	40.871.737	35,00 mm	Box	100
8	958-FL-DS/08	40.871.738	40,00 mm	Box	100

further number of poles on request

MATERIAL

Moulding	PA, grey, V-0
Comparative Tracking Index	CTI ≥ 600
Insulating Group	I
Temperature Range	-40°C up to 100°C
Terminal body	Nickel plated brass
Screw	M2,6; zinc plated steel, blue passivated
Wire protector	Tin plated tin bronze
Spring	Tin plated tin bronze

OPTIONS / ACCESSORIES

- Marking according to customer requirement
- Self-adhesive marking strip BST-5,00

