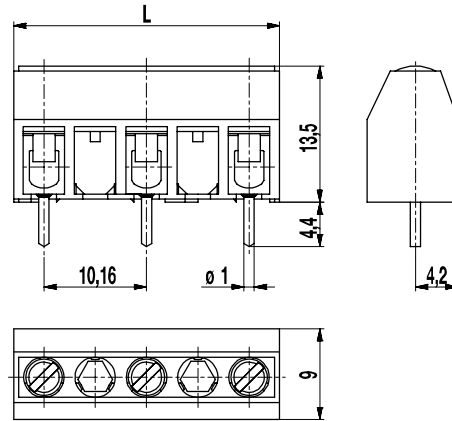
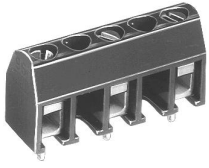


969(-DS)

PCB connector

Screw connection, large conductor space



GENERAL INFORMATION

Pitch	10,16 mm
No. of poles	2 - 16

TECHNICAL DATA

Clamping Range	solid / stranded / AWG		
without wire protector	0,75 - 6 mm ² / 0,75 - 4 mm ² / 18 - 10 AWG		
with wire protector	0,34 - 6 mm ² / 0,34 - 4 mm ² / 22 - 10 AWG		
Rated Cross Section	2,5 mm ²		
Wire Stripping Length	6,5 mm ± 0,5 mm		
Overvoltage Category	III	III	II
Pollution Severity Level	3	2	2
Rated Voltage	630 V (500 V)	630 V	1000 V
Rated Impulse Voltage	6 kV	6 kV	6 kV
Rated Insulation Voltage	750 V acc. to EN 60998-1		
Rated Current	24 A		
Hole in PCB	ø 1,3 mm		
Torque	0,5 Nm		
Other specifications	Rated voltage in brackets applies to 5-16-pole connectors, "no-flame" according to glow wire test applies to 2-4-pole connectors.		

APPROVALS

	Current [A]	Voltage [V]	Group	AWG	[Nm]
	20	300	B	22-12 [1]	0,51
	20	300	B	26 - 12	0,51
	10	300	D, E	26 - 12	0,51

CONFIGURATIONS

Poles	Part number	Article number	Part number	Article number	Length (L)	Packaging	PU
2	969/02	32.878.003	969-DS/02	42.878.003	16,24 mm	Box	250
3	969/03	32.878.005	969-DS/03	42.878.005	26,40 mm	Box	100
4	969/04	32.878.007	969-DS/04	42.878.007	36,56 mm	Box	100
5	969/05	32.878.009	969-DS/05	42.878.009	46,62 mm	Box	100
6	969/06	32.878.011	969-DS/06	42.878.011	56,88 mm	Box	100

MATERIAL

Moulding	PA, grey, V-0
Comparative Tracking Index	2-4 poles: CTI ≥ 600; 5-16 poles: CTI 400
Insulating Group	2-4 poles: I; 5-16 poles: II
Temperature Range	-40°C up to 100°C
Terminal body	Tin plated brass
Screw	M3; zinc plated steel, blue passivated
Solder pin	ø 1 mm; tin plated copper
Wire protector	Tin plated tin bronze

OPTIONS / ACCESSORIES

- Consecutive numbering
- Special marking according to drawing
- Self-adhesive marking strip BST-10,16
- Longer solder pins up to 95 mm
- Two solder pins per pole, please see 978-TY(-DS) in 5 mm pitch
- Version with extended wire entrance

[1] Min No. 26 AWG for factory-wiring only

