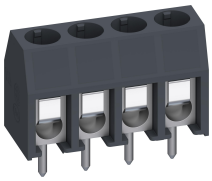


970-FB

Socket terminal strip
Plug connection



GENERAL INFORMATION

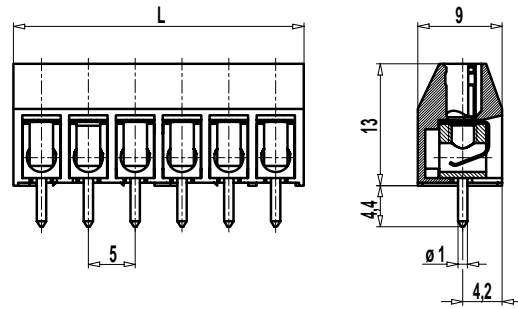
| | |
|--------------|-----------------------|
| Pitch | 5 mm |
| No. of poles | 2 - 32 |
| Usable with | plug connector 971-SV |

TECHNICAL DATA

| | | | |
|--------------------------|---|-------|---------------|
| Overvoltage Category | III | III | II |
| Pollution Severity Level | 3 | 2 | 2 |
| Rated Voltage | 250 V (200 V) | 320 V | 630 V (400 V) |
| Rated Impulse Voltage | 4 kV | 4 kV | 4 kV |
| Rated Current | 6 A | | |
| Hole in PCB | ø 1,3 mm | | |
| Other specifications | Voltage data in brackets are valid for 9-32 poles types. 2-8 poles types are "no-flame" acc. to glow-wire test. | | |

APPROVALS

| | Current [A] | Voltage [V] | Group | AWG | [Nm] |
|--|-------------|-------------|-------|-----|------|
| | 20 | 300 | B | | |
| | 10 | 300 | D | | |
| | 20 | 300 | B | | |
| | 10 | 300 | D, E | | |



MATERIAL

| | |
|----------------------------|---|
| Moulding | PA, grey, V-0 |
| Comparative Tracking Index | 2-8 poles: CTI ≥ 600; 9-32 poles: CTI 400 |
| Insulating Group | 2-8 poles: I; 9-32 poles: II |
| Temperature Range | -40°C up to 100°C |
| Terminal body | Tin plated brass |
| Solder pin | ø 1 mm; tin plated copper alloy |
| Spring | Stainless strip steel |

OPTIONS / ACCESSORIES

- Marking according to customer requirement
- Self-adhesive marking strip BST-5,00
- Pitch of 10 mm for larger clearance and creepage distances
- Longer solder pins up to 95 mm
- Version with lateral latching elements

CONFIGURATIONS

| Poles | Item | Article number | Length (L) | Packaging | PU |
|-------|-----------|----------------|------------|-----------|-----|
| 2 | 970-FB/02 | 80.872.052 | 11,00 mm | Box | 250 |
| 3 | 970-FB/03 | 80.872.053 | 16,00 mm | Box | 250 |
| 4 | 970-FB/04 | 80.872.054 | 21,00 mm | Box | 200 |
| 5 | 970-FB/05 | 80.872.055 | 26,00 mm | Box | 100 |
| 6 | 970-FB/06 | 80.872.056 | 31,00 mm | Box | 100 |
| 7 | 970-FB/07 | 80.872.057 | 36,00 mm | Box | 100 |
| 8 | 970-FB/08 | 80.872.058 | 41,00 mm | Box | 100 |
| 9 | 970-FB/09 | 80.872.059 | 46,00 mm | Box | 100 |
| 10 | 970-FB/10 | 80.872.060 | 51,00 mm | Box | 100 |
| 11 | 970-FB/11 | 80.872.061 | 56,00 mm | Box | 100 |
| 12 | 970-FB/12 | 80.872.062 | 61,00 mm | Box | 100 |

further number of poles on request

