

970-HEN(-DS)

PCB connector
Screw connection, tall version



GENERAL INFORMATION

Pitch	5 mm
No. of poles	2 - 12

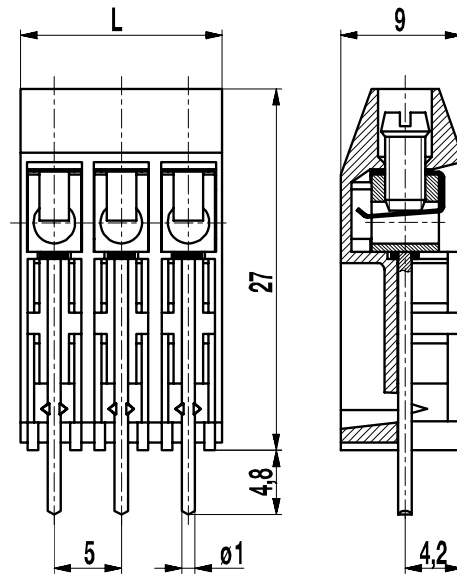
TECHNICAL DATA

Clamping Range	<i>solid / stranded / AWG</i>		
<i>without wire protector</i>	1 - 6 mm ² / 1 - 2,5 mm ² / 16 - 12 AWG		
<i>with wire protector</i>	0,75 - 4 mm ² / 0,75 - 2,5 mm ² / 18 - 12 AWG		
Rated Cross Section	2,5 mm ²		
Wire Stripping Length	6,5 mm ± 0,5 mm		
Overvoltage Category	III	III	II
Pollution Severity Level	3	2	2
Rated Voltage	250 V	320 V	630 V
Rated Impulse Voltage	4 kV	4 kV	4 kV
Rated Current	24 A		
Hole in PCB	ø 1,3 mm		
Torque	0,5 Nm		

APPROVALS

	Current [A]	Voltage [V]	Group	AWG	[Nm]
	20	300	B	22-12 [1]	0,51
	10	300	D	22-12 [1]	0,51
	20	300	B	26 - 12	0,51
	10	300	D, E	26 - 12	0,51

[1] Min No. 26 AWG for factory-wiring only



MATERIAL

Moulding	PA, grey, V-0
Comparative Tracking Index	CTI ≥ 600
Insulating Group	I
Temperature Range	-40°C up to 100°C
Terminal body	Tin plated brass
Screw	M3; zinc plated steel, blue passivated
Solder pin	ø 1 mm; tin plated copper
Wire protector	Tin plated tin bronze

OPTIONS / ACCESSORIES

- Marking according to customer requirement
- Self-adhesive marking strip BST-5,00
- Other solder pin lengths on request
- Double wire protector as bridge
- Cover for the solder pins for additional misplacing and contact protection

CONFIGURATIONS

Poles	Item	Article number	Item	Article number	Length (L)	Packaging	PU
2	970-HEN/02	17.872.962	970-HEN-DS/02	27.872.962	10,00 mm	Box	250
3	970-HEN/03	17.872.963	970-HEN-DS/03	27.872.963	15,00 mm	Box	200
4	970-HEN/04	17.872.964	970-HEN-DS/04	27.872.964	20,00 mm	Box	100
5	970-HEN/05	17.872.965	970-HEN-DS/05	27.872.965	25,00 mm	Box	100
6	970-HEN/06	17.872.966	970-HEN-DS/06	27.872.966	30,00 mm	Box	50
7	970-HEN/07	17.872.967	970-HEN-DS/07	27.872.967	35,00 mm	Box	50
8	970-HEN/08	17.872.968	970-HEN-DS/08	27.872.968	40,00 mm	Box	50
9	970-HEN/09	17.872.969	970-HEN-DS/09	27.872.969	45,00 mm	Box	50
10	970-HEN/10	17.872.970	970-HEN-DS/10	27.872.970	50,00 mm	Box	50
11	970-HEN/11	17.872.971	970-HEN-DS/11	27.872.971	55,00 mm	Box	50
12	970-HEN/12	17.872.972	970-HEN-DS/12	27.872.972	60,00 mm	Box	50

