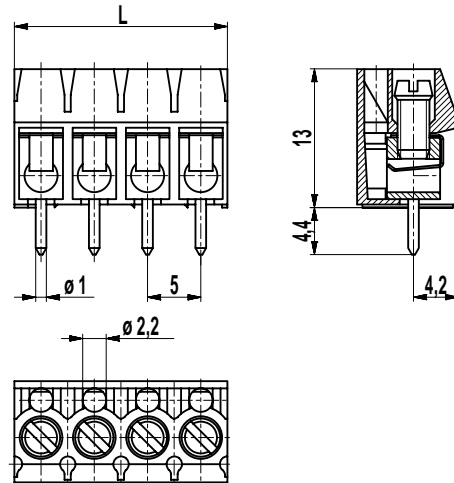
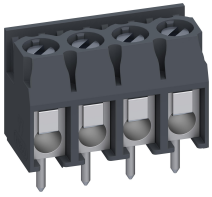


970-MP(-DS)

PCB connector

Screw connection, with test holes



GENERAL INFORMATION

Pitch	5 mm
No. of poles	2 - 24

TECHNICAL DATA

Clamping Range	solid / stranded / AWG		
without wire protector	1 - 6 mm ² / 1 - 2,5 mm ² / 16 - 12 AWG		
with wire protector	0,75 - 4 mm ² / 0,75 - 2,5 mm ² / 18 - 12 AWG		
Rated Cross Section	2,5 mm ²		
Wire Stripping Length	6,5 mm ± 0,5 mm		
Overvoltage Category	III	III	II
Pollution Severity Level	3	3	2
Rated Voltage	250 V (200 V)	320 V	630 V (320 V)
Rated Impulse Voltage	4 kV	4 kV	4 kV
Rated Current	24 A		
Hole in PCB	ø 1,3 mm		
Torque	0,5 Nm		
Other specifications	Voltage data in brackets are valid for 9-24 poles types		

APPROVALS

	Current [A]	Voltage [V]	Group	AWG	[Nm]
	20	300	B	22-12 [1]	0,51
	10	300	D	22-12 [1]	0,51
	20	300	B	26 - 12	0,51
	10	300	D, E	26 - 12	0,51

[1] Min No. 26 AWG for factory-wiring only

MATERIAL

Moulding	PA, grey, V-0
Comparative Tracking Index	2-8 poles: CTI ≥ 600; 9-24 poles: CTI 250
Insulating Group	2-8 poles: I; 9-24 poles: IIIa
Temperature Range	-40°C up to 100°C
Terminal body	Tin plated brass
Screw	M3; zinc plated steel, blue passivated
Solder pin	ø 1 mm; tin plated copper alloy
Wire protector	Tin plated tin bronze

OPTIONS / ACCESSORIES

- Marking according to customer requirement
- Self-adhesive marking strip BST-5,00
- Pitch of 10 mm for larger clearance and creepage distances
- Longer solder pins up to 95 mm
- Version with larger clamping range
- Version with two solder pins per pole
- Version with extended wire entrance
- Double wire protector as bridge

CONFIGURATIONS

Poles	Item	Article number	Item	Article number	Length (L)	Packaging	PU
2	970-MP/02	10.872.202	970-MP-DS/02	20.872.202	10,00 mm	Box	250
3	970-MP/03	10.872.203	970-MP-DS/03	20.872.203	15,00 mm	Box	250
4	970-MP/04	10.872.204	970-MP-DS/04	20.872.204	20,00 mm	Box	200
5	970-MP/05	10.872.205	970-MP-DS/05	20.872.205	25,00 mm	Box	100
6	970-MP/06	10.872.206	970-MP-DS/06	20.872.206	30,00 mm	Box	100
7	970-MP/07	10.872.207	970-MP-DS/07	20.872.207	35,00 mm	Box	100
8	970-MP/08	10.872.208	970-MP-DS/08	20.872.208	40,00 mm	Box	100
9	970-MP/09	10.872.209	970-MP-DS/09	20.872.209	45,00 mm	Box	100
10	970-MP/10	10.872.210	970-MP-DS/10	20.872.210	50,00 mm	Box	100
11	970-MP/11	10.872.211	970-MP-DS/11	20.872.211	55,00 mm	Box	100
12	970-MP/12	10.872.212	970-MP-DS/12	20.872.212	60,00 mm	Box	100

further number of poles on request

