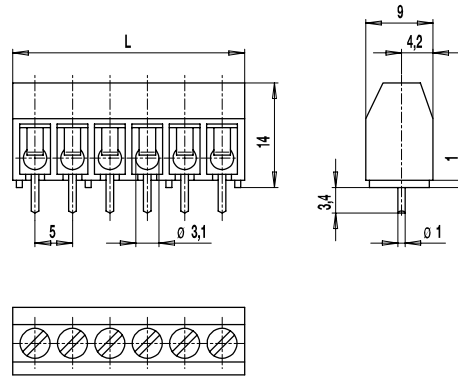
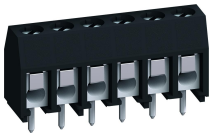
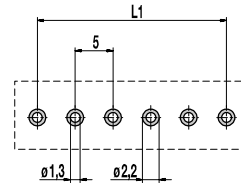


# 970-THR(-DS)

PCB connector for THR  
Screw connection



### PCB LAYOUT



L1 = (No. of poles - 1) x pitch  
Solder paste thickness: 0,15 - 0,2 mm  
Solder pad diameter: ø 2,2 mm

### GENERAL INFORMATION

Pitch	5 mm
No. of poles	2 - 12

### TECHNICAL DATA

Clamping Range	solid / stranded / AWG		
without wire protector	1 - 6 mm <sup>2</sup> / 1 - 2,5 mm <sup>2</sup> / 16 - 12 AWG		
with wire protector	0,75 - 4 mm <sup>2</sup> / 0,75 - 2,5 mm <sup>2</sup> / 18 - 12 AWG		
Rated Cross Section	2,5 mm <sup>2</sup>		
Wire Stripping Length	6,5 mm ± 0,5 mm		
Overvoltage Category	III	III	II
Pollution Severity Level	3	2	2
Rated Voltage	250 V	320 V	630 V
Rated Impulse Voltage	4 kV	4 kV	4 kV
Rated Insulation Voltage	250 V acc. to EN 60998-1		
Rated Current	24 A		
Soldering process	Wave solder & reflow solder		
Hole in PCB	ø 1,3 mm		
PCB thickness	Wave solder max. 1,6 mm; reflow solder 1,6 - 3,2 mm		
Torque	0,5 Nm		

### APPROVALS

	Current [A]	Voltage [V]	Group	AWG	[Nm]
	20	300	B	22-12 [1]	0,51
	10	300	D	22-12 [1]	0,51
	20	300	B	26 - 12	0,51
	10	300	D, E	26 - 12	0,51

### MATERIAL

Moulding	PA HT, black, V-0
Comparative Tracking Index	CTI ≥ 600
Insulating Group	I
Temperature Range	-40°C up to 120°C; reflow solder temperature (Peak) max. 260°C (15-30 s)
Terminal body	Tin plated brass
Screw	M3; zinc plated steel, blue passivated
Solder pin	ø 1 mm; tin plated copper
Wire protector	Tin plated tin bronze

### OPTIONS / ACCESSORIES

- Consecutive numbering / Special marking according to drawing
- Self-adhesive marking strip BST-5,00 [2]
- Other solder pin lengths on request

[1] No. 26 AWG min for factory-wiring only  
[2] To be fitted after reflow soldering process

### CONFIGURATIONS

Poles	Part number	Article number	Part number	Article number	Length (L)	Packaging	PU	Tape Width	Tape Height
2	970-THR/02	10.879.202	970-THR-DS/02	20.879.202	11,00 mm	Box	250		
3	970-THR/03	10.879.203	970-THR-DS/03	20.879.203	16,00 mm	Box	250		
4	970-THR/04	10.879.204	970-THR-DS/04	20.879.204	21,00 mm	Box	200		
5	970-THR/05	10.879.205	970-THR-DS/05	20.879.205	26,00 mm	Box	100		
6	970-THR/06	10.879.206	970-THR-DS/06	20.879.206	31,00 mm	Box	100		
2	970-THR/02-T&R		970-THR-DS/02-T&R	20.879.202.A00	11,00 mm	Tape-on-Reel	225	32 mm	18,8 mm
4	970-THR/04-T&R		970-THR-DS/04-T&R	20.879.204.A00	21,00 mm	Tape-on-Reel	225	32 mm	18,8 mm

further number of poles on request

