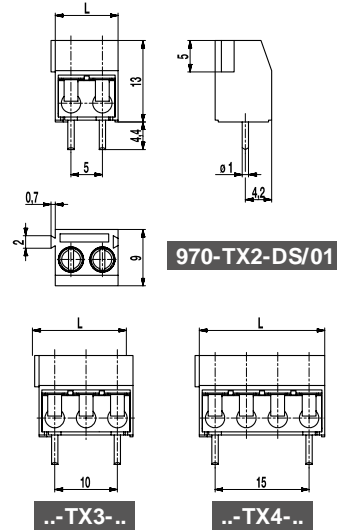
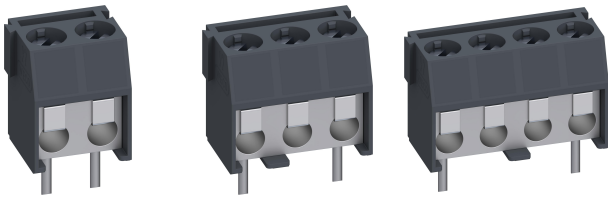


970-TX..(-DS)

PCB connector

Screw connection, 2 to 4 screw connections at only one pole, interlocking



GENERAL INFORMATION

| | |
|--------------|------|
| Pitch | 5 mm |
| No. of poles | 1 |

TECHNICAL DATA

| | | | |
|-------------------------------|---|-------|-------|
| Clamping Range | <i>solid / stranded / AWG</i> | | |
| <i>without wire protector</i> | 1 - 6 mm ² / 1 - 2,5 mm ² / 16 - 12 AWG | | |
| <i>with wire protector</i> | 0,75 - 4 mm ² / 0,75 - 2,5 mm ² / 18 - 12 AWG | | |
| Rated Cross Section | 2,5 mm ² | | |
| Wire Stripping Length | 6,5 mm ± 0,5 mm | | |
| Overvoltage Category | III | III | II |
| Pollution Severity Level | 3 | 2 | 2 |
| Rated Voltage | 250 V | 320 V | 630 V |
| Rated Impulse Voltage | 4 kV | 4 kV | 4 kV |
| Rated Current | 24 A | | |
| Hole in PCB | ø 1,3 mm | | |
| Torque | 0,5 Nm | | |

APPROVALS

| | Current [A] | Voltage [V] | Group | AWG | [Nm] |
|--|-------------|-------------|-------|-----------|------|
| | 20 | 300 | B | 22-12 [1] | 0,51 |
| | 10 | 300 | D | 22-12 [1] | 0,51 |
| | 20 | 300 | B | 26 - 12 | 0,51 |
| | 10 | 300 | D, E | 26 - 12 | 0,51 |

[1] Min No. 26 AWG for factory-wiring only

MATERIAL

| | |
|----------------------------|--|
| Moulding | PA, grey, V-0 |
| Comparative Tracking Index | CTI ≥ 600 |
| Insulating Group | I |
| Temperature Range | -40°C up to 100°C |
| Terminal body | Tin plated brass |
| Screw | M3; zinc plated steel, blue passivated |
| Solder pin | ø 1 mm; tin plated copper |
| Wire protector | Tin plated tin bronze |

OPTIONS / ACCESSORIES

- Marking according to customer requirement
- Self-adhesive marking strip BST-5,00
- Longer solder pins up to 95 mm
- Solder pins with different lengths
- Version with extended wire entrance
- Other position of solder pins

CONFIGURATIONS

| Poles | Item | Article number | Item | Article number | Length (L) | Packaging | PU |
|-------|------------|----------------|---------------|----------------|------------|-----------|-----|
| 2 | 970-TX2/01 | 10.872.619 | 970-TX2-DS/01 | 20.872.619 | 10,00 mm | Box | 250 |
| 3 | 970-TX3/01 | 10.872.620 | 970-TX3-DS/01 | 20.872.620 | 15,00 mm | Box | 250 |
| 4 | 970-TX4/01 | 10.872.621 | 970-TX4-DS/01 | 20.872.621 | 20,00 mm | Box | 200 |

