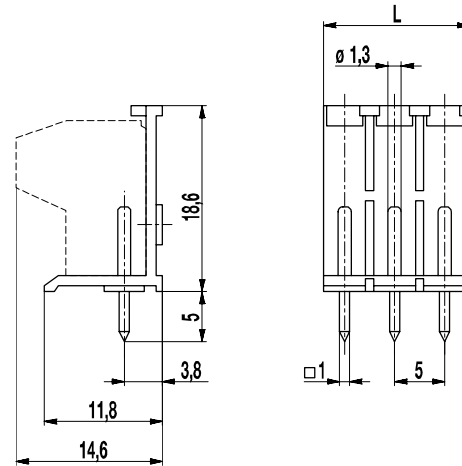


# 971-FBSP

Pin strip

Plug-in area  $\varnothing$  1,3 mm, with locking plate



## GENERAL INFORMATION

Pitch	5 mm
No. of poles	2 - 12
Usable with	plug connector 971-FBS

## TECHNICAL DATA

Overvoltage Category	III	III	II
Pollution Severity Level	3	2	2
Rated Voltage	160 V	160 V	320 V
Rated Impulse Voltage	2,5 kV	2,5 kV	2,5 kV
Rated Insulation Voltage	130 V acc. to EN 60998-1		
Rated Current	6 A		
Hole in PCB	$\varnothing$ 1,5 mm		

## APPROVALS

	Current [A]	Voltage [V]	Group	AWG	[Nm]
	20	300	B		
	10	300	D		
	20	300	B		
	10	300	D, E		

## MATERIAL

Moulding	PA, grey, V-0
Comparative Tracking Index	CTI $\geq$ 600
Insulating Group	I
Temperature Range	-40°C up to 100°C
Solder pin	$\varnothing$ 1,3 mm (plug-in area) / 1,0 x 1,0 mm (soldering area); tin plated brass

## OPTIONS / ACCESSORIES

- Consecutive numbering
- Special marking according to drawing
- Self-adhesive marking strip BST-5,00
- Pitch of 10 mm for larger clearance and creepage distances

## CONFIGURATIONS

Poles	Part number	Article number	Length (L)	Packaging	PU
2	971-FBSP/02	12.893.412	10,00 mm	Box	200
3	971-FBSP/03	13.893.412	15,00 mm	Box	200
4	971-FBSP/04	14.893.412	20,00 mm	Box	100
5	971-FBSP/05	15.893.412	25,00 mm	Box	100
6	971-FBSP/06	16.893.412	30,00 mm	Box	100

